

Section N

Belts

Index

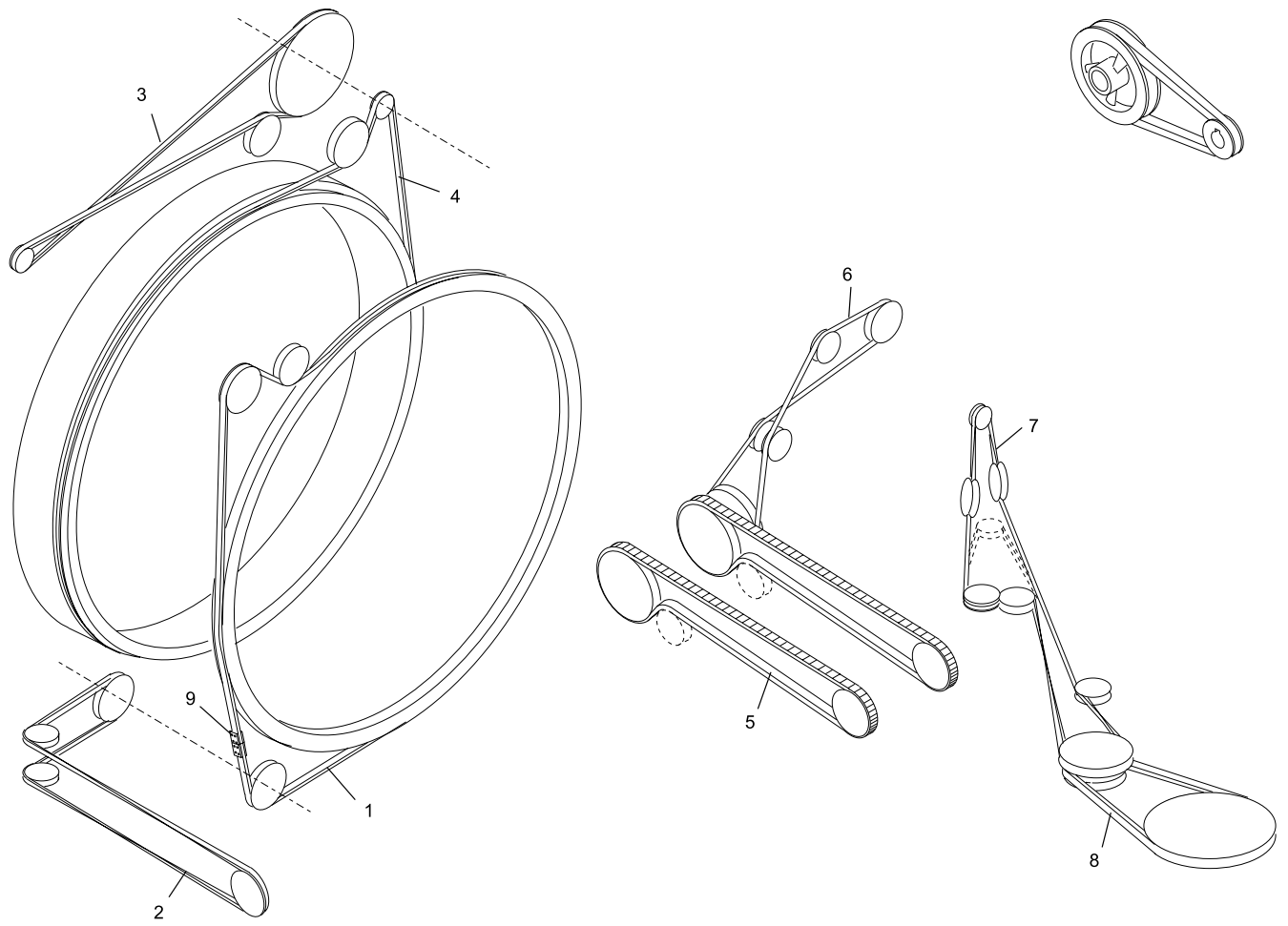
No.	Part No.	Description
1.	12-400227-000	Ball Wheel V-Belt, Endless (EL 208")
	12-400279-000	Ballwheel V-Belt, Spliced (EL 208.5") - See Note
2.	12-300082-003	Pit Conveyor V-Belt (EL 73")
3.	12-400034-004	Cross Drove V-Belt (EL 122")
4.	12-400034-005	Pin Wheel V-Belt (EL 198")
5.	12-450037-000	Cross Conveyor Belt
6.	10-635309-000	Cross Conveyor Belt, for machines equipped w/ V-belt idler pulley (EL 82")
	12-400034-007	Cross Conveyor Drive Belt, for machines equipped w/ round belt idler pullys
7.	12-400314-000	Turret Drive V-Belt, Long - for machines equipped with Bevel Gear Drive (EL 115")
	12-400223-000	Turret Drive V-Belt, Long (EL 137")
8.	12-150113-000	Short Turret Drive Belt - Cast cam and offset pulley (EL 48")
	12-150113-600	Short Turret Drive Belt, Stamped Indexing Cam (48-1/2")
9.	12-400279-003	V-Belt Fastener (Pkg. Of 10), See Note

NOTE : These tools are available to aid in assembling belt fasteners:

12-800502-000 Holder

12-800503-000 Rocker Pin Tool

12-400180-000 V-Belt Fastener (Box of 10)



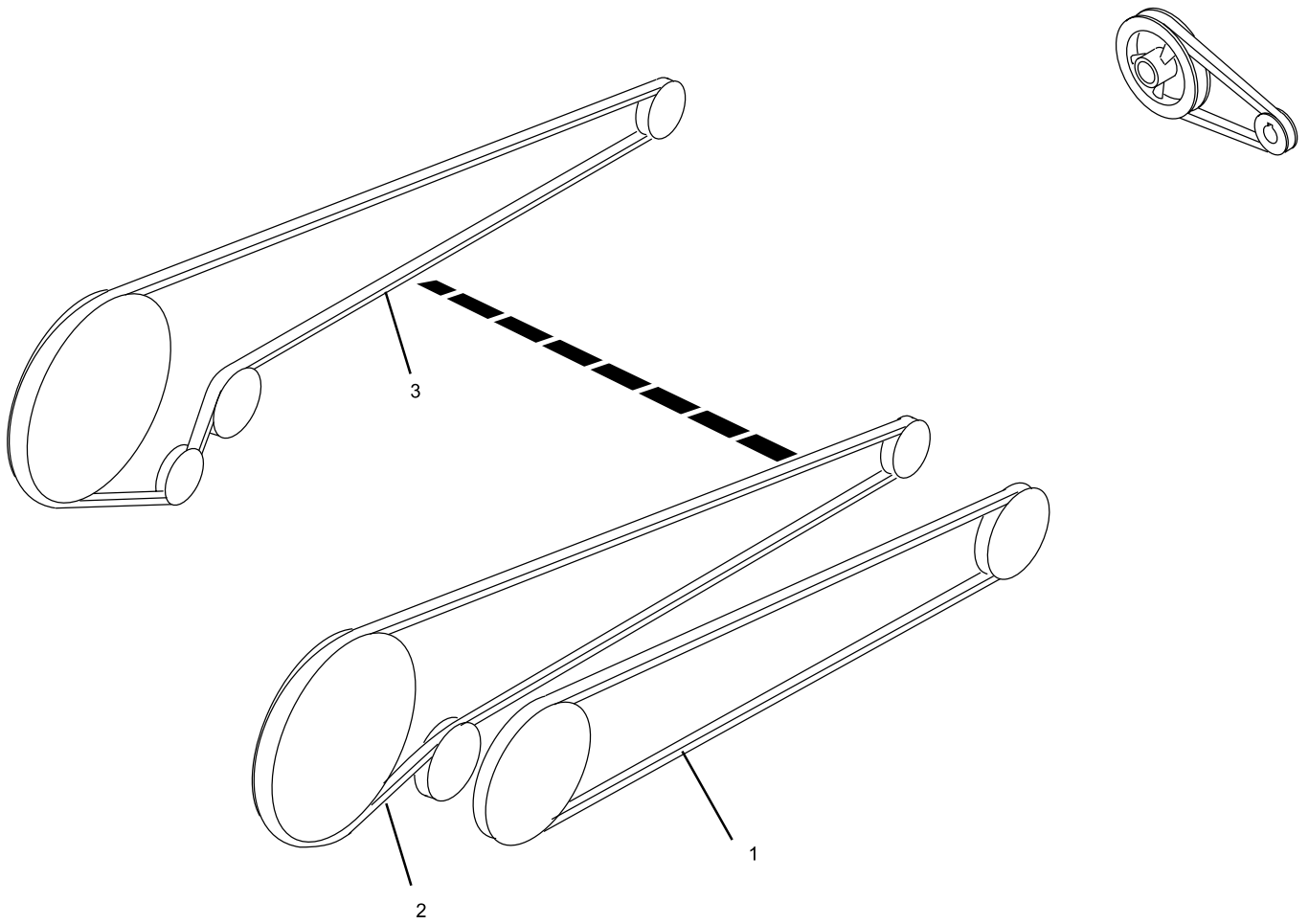
Pinsetter Belts

Index

No.	Part No.	Description
1.	12-400329-000	V-Belt (Motor to Gear Box) - 60 cycle A Machines, Jet Back equipped (79")
	10-635323-000	V-Belt (Motor to Gear Box) - 60 cycle A machines standard (77.5")
	12-400034-002	Motor to Gear Box Belt - for A machine 60 cycle (77.1")
	10-635321-000	V-Belt (Motor to Gear Box) - 27:1 Worm & Worm Gear A, Jet Back (75")
	10-635326-000	V-Belt (Motor to Gear Box) - 50 cycle A-2 Machines (69.5")
	10-635305-000	V-Belt (Motor to Gear Box) - 50 cycle A-2 machines export (EL 69")
	10-635304-000	V-Belt (Motor to Gear Box) - 60 cycle A-2 machines, new or converted (EL 67")
	10-635320-000	V-Belt (Motor to Gear Box) - 27:1 Worm & Worm Gear A-2 (EL 60")
2.	10-635328-000	V-Belt (Motor to Elevator Belt) (EL 108.6")
	12-400034-003	Motor to Elevator Belt - 60 cycle A machines, Jet Back equipped (EL 107.1")
	10-635327-000	V-Belt (Motor to Elevator) - 60 cycle A, Jet Back Machines (EL 105.6")
	10-635330-000	V-Belt (Motor to Elevator) - 60 cycle A-2 machines (EL 93.8")
	10-635306-000	V-Belt (Motor to Elevator) - 50 cycle A-2 machines export (EL 93.3")
	10-635303-000	V-Belt (Motor to Elevator) - 60 cycle A-2 machines, new or converted (EL 92.3)
	10-635329-000	V-Belt (Motor to Elevator) - 60 cycle A-2 machines (EL 90.8")
3.	10-635315-000	V-Belt (Motor to Elevator) (EL 98"), See Note

NOTE: To be used on A-2 machines with 12-502410-000 Pulley, without Scoth Yoke, and with Elevator Belt Tension Device.

**Motor to Gear Box/Elevator
Pinsetter Belts**



**Motor to Gear Box/Elevator
Pinsetter Belts**

Index

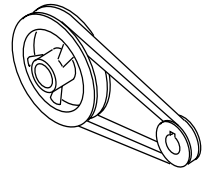
No.	Part No.	Description
1.	10-635128-000	Flat Belt, Ball Lift (EL 91")
	24-200947-000	Flat Drive Belt (EL 88")
	53-520148-002	Poly V-Belt (EL 73")
	53-520235-600	Poly V-Belt (high friction)
2.	10-635112-000	Flat Belt, use with 2-23/32" motor pulley (EL 32.5")
	10-635113-000	Flat Belt, use with 1-11/16" motor pulley (EL 31")
	10-635114-000	Flat Belt, use with 3-17/64" motor pulley
	10-635118-000	Flat Belt, use with 2-1/32" motor pulley (EL 31.5")
	10-635124-000	Flat Belt, use with 1-1/2" motor pulley (EL 30.5")
	10-635125-000	Flat Belt, use with 1-13/16" motor pulley
3.	10-635126-000	Accelerator Belt
	10-635126-600	Accelerator Belt - Special
4.	10-635307-000	V-Belt Ball Booster - See Note 1
	10-635308-000	V-Belt Ball Booster, for 8" pulley (EL 34") - See Note 2
	10-635314-000	V-Belt Ball Booster, for 9" pulley (EL 35") - See Note 3

NOTE 1: Used on 5-1/2" machines and Jet Back equipment with 8" (10-570701) sheave.

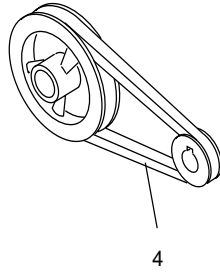
NOTE 2: Used with 10-510703 2.7" O.D. and 10-510701 8" O.D.

NOTE 3: Used on Jet Back equipped machines with 10-510702 and 10-510704 sheaves.

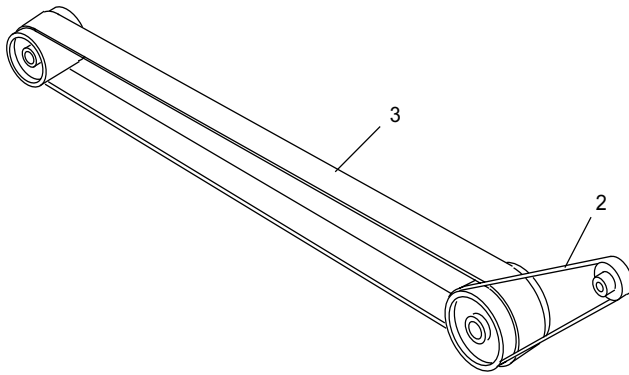
**Ball Return/
Ball Lift Belts**



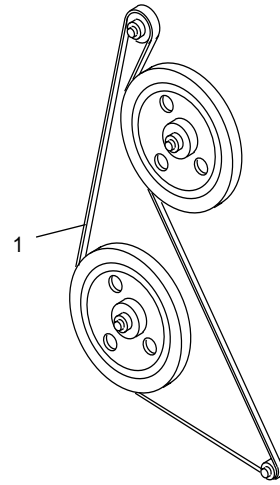
BALL BOOSTER



ACCELERATOR



POWER LIFT



**Ball Return/
Ball Lift Belts**