

Section A

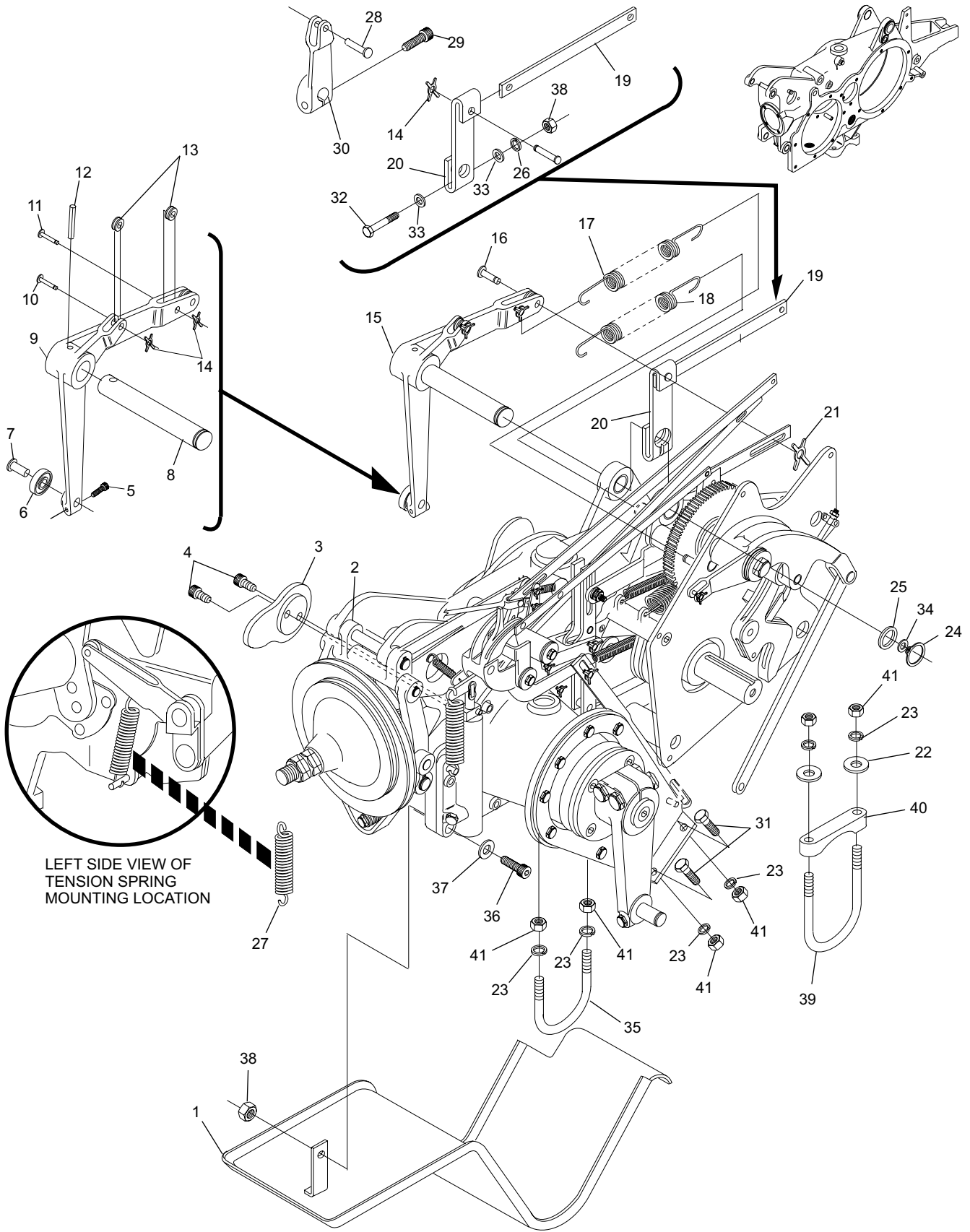
Gear Box

Index

No.	Part No.	Description
1.	12-100316-000	Gear Box Oil Pan
2.	12-100486-000	Clutch Lever Assembly, See Page 9A for breakdown
3.	12-100418-000	Clutch Cam, for all A machines prior to Serial #21125
	12-102418-000	Clutch Cam, for all A2 machines new or converted
4.	11-005263-001	Hex Head Socket Cap Screw (5/16-18 x 7/8"), for A machines prior to Serial #21125
	11-007264-001	Flat Head Socket Cap Screw (5/16-18 x 1"), for A machines Serial #21125 & up
5.	11-005092-001	Hex Head Socket Cap Screw (10-24 x 3/4")
6.	11-435001-000	Ball Bearing
7.	12-100069-000	Stud
8.	12-100072-000	Shaft
9.	12-100178-000	Deck Hook Cam Lever
10.	12-100166-024	X-Washer Pin
11.	12-100166-022	X-Washer Pin
12.	11-360568-000	Spirol Pin (1/4 x 1-1/2")
13.	10-376010-000	Spring Roller
14.	11-230000-001	X-Washer (3/32)
15.	12-100242-000	Deck Hook Cam Lever Assembly
16.	12-100166-027	Pin (.2495 x .820)
17.	12-100107-000	Spring
18.	12-100159-000	Tension Spring
19.	12-100064-000	Bar
20.	12-100392-000	Lever
21.	11-230001-001	X-Washer (1/8)
22.	11-190514-001	Flat Washer
23.	11-195016-001	Lockwasher (3/8)
24.	11-530027-000	External Retaining Ring
25.	12-100170-004	Washer
26.	11-195015-001	Lockwasher (5/16)
27.	12-100158-000	Tension Spring
28.	12-100166-006	X-Washer Pin (7/8 x .187)
29.	11-005268-000	Cap Screw Hex Socket (5/16-18 x 1-1/2")
30.	N.A.	Hook Latch Lever
31.	11-001346-001	Hex Head Cap Screw (3/8-16 x 1-1/4")
32.	11-001270-001	Hex Head Cap Screw (5/16-18 x 1-3/4")
33.	11-190012-001	Flat Washer - SAE (5/16)
34.	12-102155-000	Shim (.010), brown
35.	12-100023-002	U-Bolt
36.	11-005266-001	Hex Head Socket Cap Screw (5/16-18 x 1-1/4")
37.	12-100344-002	Gasket
38.	11-125102-000	Hex Nut (5/16-18)
39.	12-100023-003	U-Bolt
40.	12-100096-000	Block
41.	11-125104-001	Hex Nut (3/8-16)

N.A. = No Longer Available

Gear Box Assembly



Gear Box Assembly

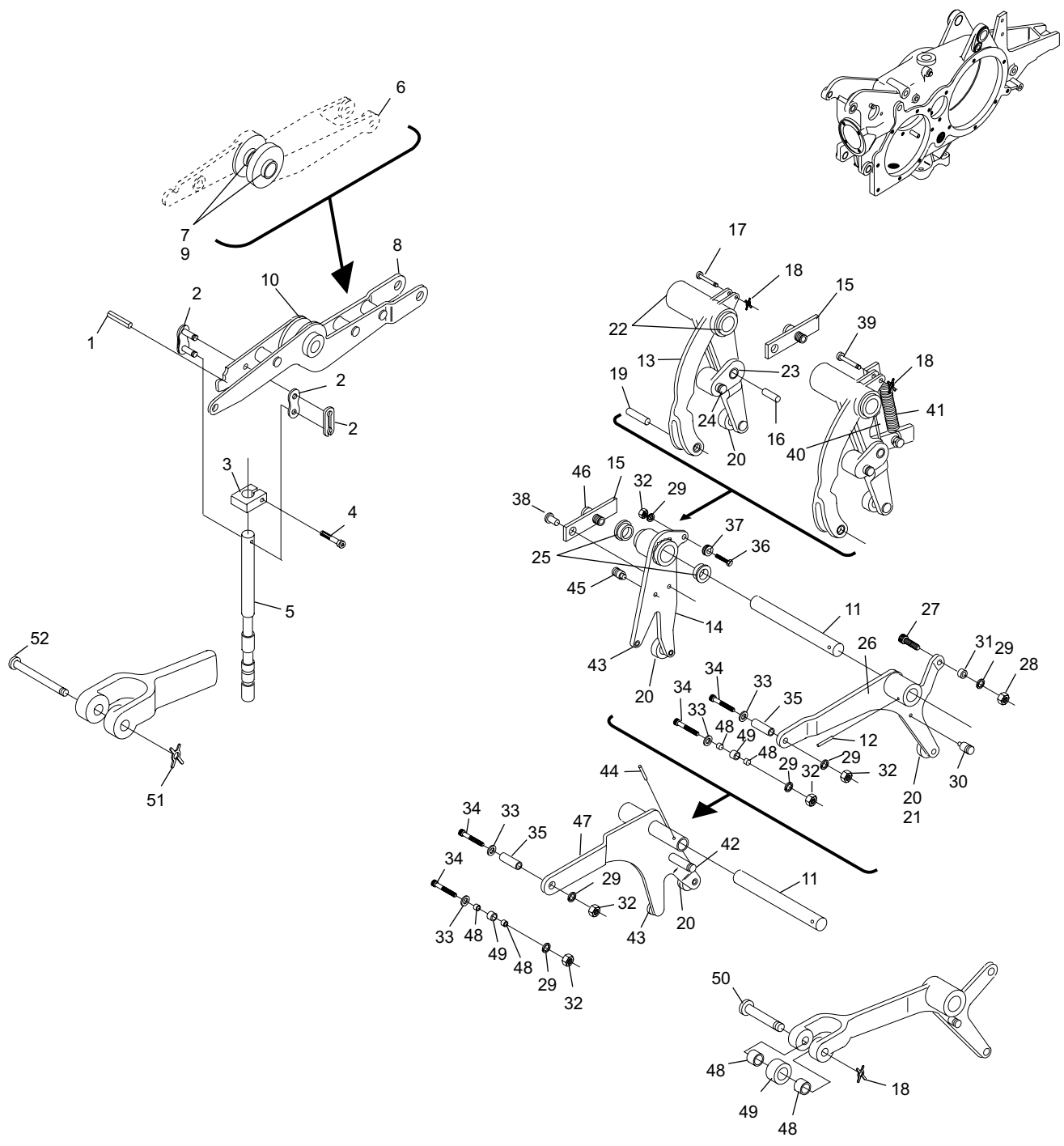
Index

No.	Part No.	Description
1.	11-345302-001	Roll Pin (3/16 x 3/8")
2.	11-600001-000	Connecting Link (1/2") (#40)
3.	12-100050-000	Stop Collar
4.	11-005120-001	Hex Head Socket Cap Screw (10-32 x 5/8")
5.	12-100093-000	Plunger
6.	N.A.	Lever Assembly-See Note
7.	11-421056-000	Bearing (.502 I.D. X .627 O.D.)
8.	12-100465-000	Lever Assembly
9.	12-100334-000	Sleeve Oilite Bearing
10.	12-100469-000	Flanged Bearing
11.	12-100106-0.00	Clutch Reset Lever Shaft
12.	11-360464-000	Spirol Pin (3/16 x 1")
13.	N.A.	Clutch Reset Lever Assembly
14.	12-100490-000	Clutch Lever Reset Assembly
15.	12-100033-000	Reset Latch Assembly
16.	N.A.	Roll Pin
17.	12-100166-004	X-Washer Pin
18.	11-230001-001	X-Washer (1/8)
19.	11-360554-000	Spirol Pin (1/4 x 3/8")
20.	11-436001-000	Ball Bearing
21.	12-100170-019	Washer
22.	11-421024-000	Bearing (.504 I.D. X .689 O.D.)
23.	11-420003-000	Bearing (.260 I.D. X .377 O.D.)
24.	N.A.	Spring Pin
25.	11-421093-000	Flanged Oilite Bearing
26.	12-100176-002	Clutch Reset Lever Assembly
27.	11-437000-000	Ball Bearing
28.	11-125005-001	Hex Nut (#10-32)
29.	11-195010-001	Lockwasher (#10)
30.	12-100115-003	Spring Pin
31.	12-100170-021	Spacer
32.	11-125004-001	Hex Nut (#10-24)
33.	11-190010-001	Flat Washer (1/4)
34.	11-106504-001	Stripper Hex Head Socket Cap Screw (10-24 x 1")
35.	12-100030-005	Roller
36.	11-001062-001	Hex Head Cap Screw (10-24 x 3/4")
37.	12-150130-005	Spring Wheel
38.	12-100493-003	Rivet Pin
39.	12-100166-005	X-Washer Pin
40.	12-102033-000	Link
41.	12-100049-000	Spring
42.	N.A.	Spring Post
43.	12-100493-002	Rivet Pin
44.	11-360460-000	Spiral Pin (3/16 x 3/4")
45.	12-100494-000	Spring Post
46.	12-100032-000	Rivet Pin
47.	12-102176-000	Clutch Reset Lever Assembly, for Model A-2
48.	12-100030-007	Roller
49.	11-481028-000	Roller Bearing (1/4 I.D. X 7/16 O.D.)
50.	10-229007-000	X-Washer Pin (1/4 x 1-5/8")
51.	11-230000-001	X-Washer (3/32)
52.	12-100166-019	X-Washer Pin

N.A. = No Longer Available

NOTE: When replacing Lever Assembly on machines S/N prior to 1593, order 12-100465-000 Lever Assembly plus 2 each 12-100338-004 Spacers.

Clutch Release Lever Assembly



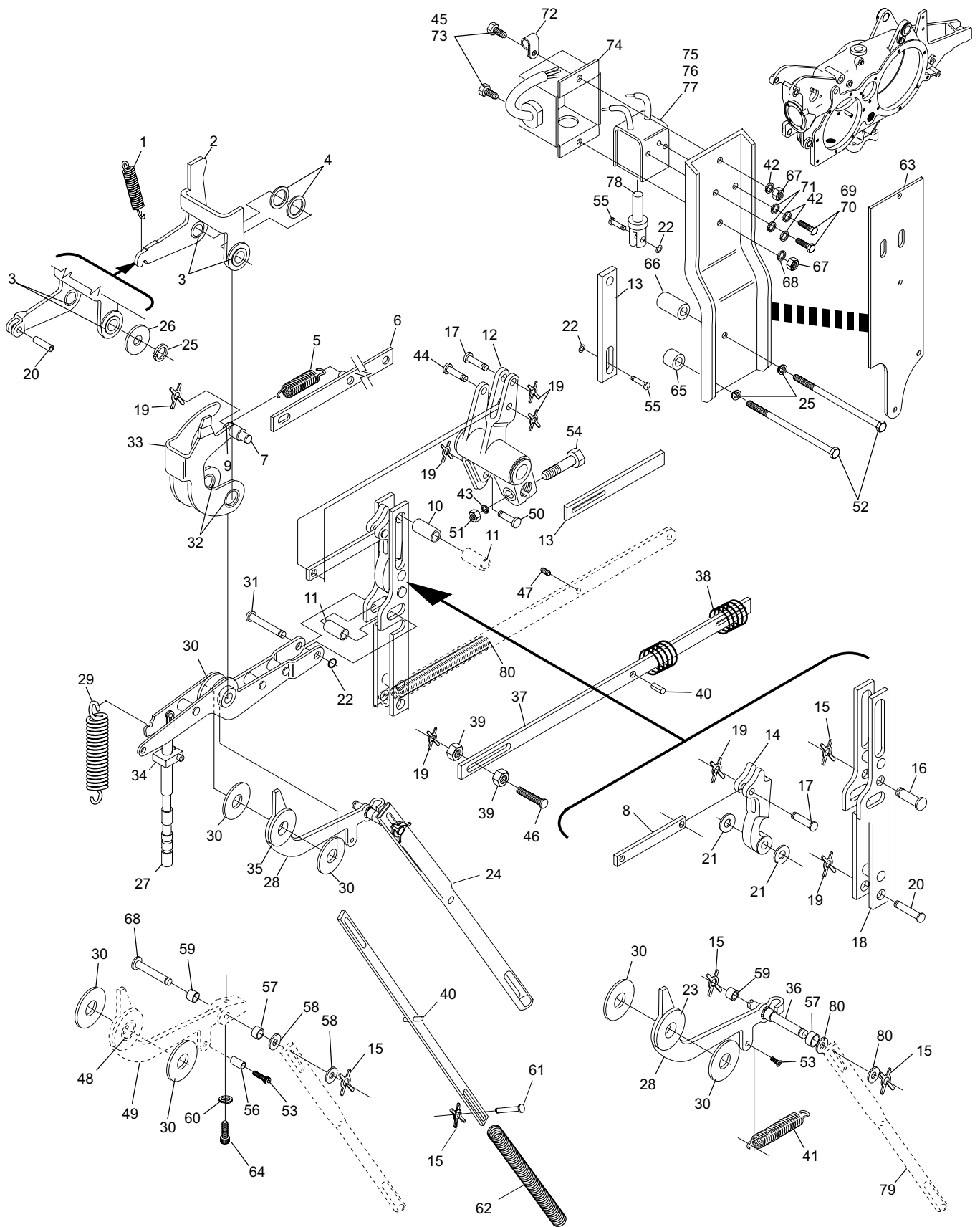
Clutch Release Lever Assembly

Index			Index		
No.	Part No.	Description	No.	Part No.	Description
1.	12-100296-000	Tension Spring	45.	11-001024-001	Hex Head Cap Screw (8-32 x 9/16")
2.	12-100495-000	Clutch Actuator Lever	46.	12-100166-025	X-Washer Pin
3.	11-421092-000	Flanged Bronze Bearing	47.	11-345304-000	Roll Pin (3/16 x 1/2")
4.	12-100338-002	Spacer	48.	12-100304-000	Bearing
	12-100338-003	Spacer	49.	N.A.	Clutch Release Lever
5.	12-100105-000	Tension Spring (Pkg. Of 2)	50.	12-100166-004	X-Washer Pin
6.	12-100337-000	Out-of-Range Link Assembly	51.	11-125009-001	Hex Nut (5/16-18)
7.	12-100430-000	Pin	52.	12-100441-000	Special Hex Head Bolt
8.	12-100026-000	Link	53.	11-007085-001	Flat Allen Head Cap Screw
9.	11-170106-001	Hex Nut Flexlock (1/4-20)	54.	11-001265-001	Hex head Cap Screw (5/16-18 x 1-1/8")
10.	12-100030-005	Roller	55.	10-229451-000	O-Ring Pin
11.	12-100030-002	Roller	56.	11-345404-000	Roll Pin (1/4 x 1/2")
12.	12-100236-000	Starter Bellcrank Assembly	57.	12-100030-004	Roller
	12-102236-000	Starter Bellcrank Assembly	58.	11-190010-001	Flat Washer (1/4)
13.	12-100363-000	Link	59.	12-100030-003	Roller
	12-102363-000	Link	60.	11-196008-001	Hi-Collar Lockwasher (#10)
14.	12-100746-000	Clutch Latch	61.	12-100166-007	X-Washer Pin
	12-100747-000	Clutch Latch	62.	12-100167-000	Spring
15.	11-230001-001	X-Washer (1/8)	63.	12-100809-000	Mounting Plate
16.	12-100166-013	Pin		12-102830-000	Mounting Plate
17.	11-345312-000	Roll Pin (3/16 x 1")	64.	11-005120-001	Hex Head Socket Cap Screw (10-32 x 5/8")
	12-100166-005	X-Washer Pin	65.	10-386068-000	Spacer (1/4 x 3/8")
18.	12-100025-000	Clutch Actuator Link	66.	10-386069-000	Spacer (1/2 x 1-1/16")
19.	11-230000-001	X-Washer (3/32)	67.	11-125003-001	Hex Nut (#8-32)
20.	11-345302-001	Roll Pin (3/16 x 3/8")	68.	12-100166-017	X-Washer Pin
21.	11-190509-001	Flat Washer	69.	11-010094-001	Hex Head Slotted Machine Screw (10-32 x 3/8")
22.	11-625538-000	O-Ring	70.	11-010097-001	Hex Head Slotted Machine Screw (10-32 x 9/16")
23.	11-421096-000	Bearing (.502 I.D. X 1.128)	71.	11-190006-001	Flat Washer - SAE (#10)
24.	12-862867-000	Clutch Release Link	72.	11-604105-000	Cable Clamp (3/8 X .359)
25.	11-195014-001	Lockwasher (1/4)	73.	11-010062-001	Hex Head Slotted Cap Screw (8-32 x 5/8")
26.	12-100170-012	Washer	74.	12-102020-000	Cover
27.	12-100093-000	Plunger	75.	10-688003-000	Solenoid, Guardian Type, 208-230V, 60HZ
28.	12-100708-000	Clutch Release Lever Assembly	76.	10-688006-000	Solenoid, Deltro Type, 208-230V 60HZ
29.	12-100043-000	Tension Spring	77.	10-688009-000	Solenoid (115V)
	12-102043-000	Spring	78.	10-688003-003	Solenoid Plunger, Gaurdian Type
30.	12-100298-000	Spacer		10-688006-003	Solenoid Plunger, Deltro Type
31.	10-229453-000	O-Ring Pin	79.	N.A.	Link, tubular, order 12-862867-000
32.	11-420059-000	Bearing (.5025 I.D. X .629 O.D.)	80.	N.A.	Spring - See Note
33.	12-100437-000	Out-of-Range Lever Assembly			
34.	12-100050-000	Stop Collar			
35.	11-421011-000	Bearing (.502 I.D. X .627 O.D.)			
36.	12-100703-000	Pin			
37.	12-100903-000	Pin Detector Link			
38.	12-100905-000	Spring			
39.	11-125200-001	Hex Jam Nut (1/4-20)			
40.	11-345310-001	Roll Pin (3/16 x 7/8")			
41.	12-100047-000	Tension Spring			
42.	11-195010-001	Lockwasher (#10)			
43.	11-195015-001	Lockwasher (5/16)			
44.	12-150158-012	X-Washer Pin			
	12-100166-019	X-Washer Pin			

N.A. = No Longer Available

NOTE: Please order the following:
(1) 12-100903-000, (1) 12-100905-000,
(1) 11-345310-001 and (1) 11-125200-001

Clutch Release Lever Assembly

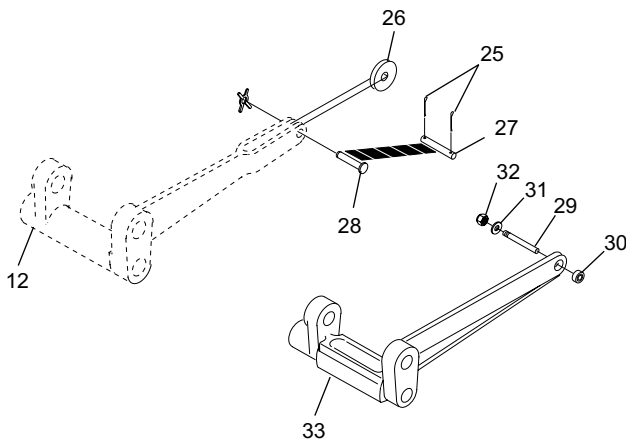
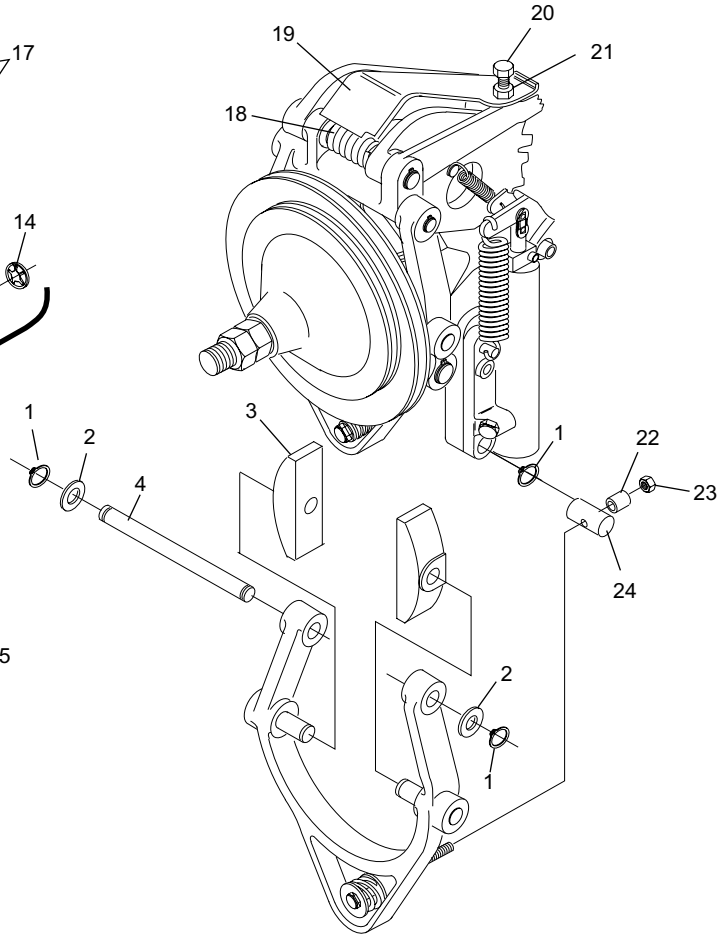
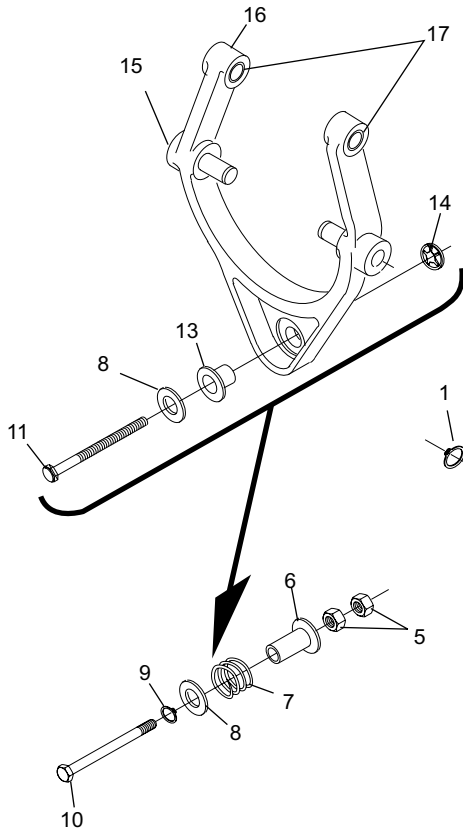
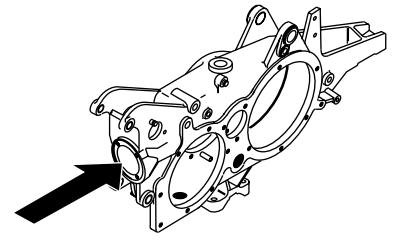


Clutch Release Lever Assembly

Index

No.	Part No.	Description
1.	11-530015-000	External Retaining Ring
2.	11-190016-001	Flat Washer (7/16)
3.	12-100146-000	Clutch Shoe
4.	12-100168-003	Pin
5.	11-125201-001	Hex Jam Nut (1/4-28)
6.	12-100092-000	Spring Guide
7.	12-100091-000	Compression Spring
8.	12-100170-012	Washer
	11-190018-001	Flat Washer (1/2)
9.	11-530017-001	External Retaining Ring
10.	12-100257-000	Hex Head Socket Cap Screw (2 1/2" slotted)
11.	12-102180-000	Special Hex Head Socket Cap Screw (1/4-28 x 4)
12.	N.A.	Clutch Lever Assembly
13.	12-102179-000	Bushing
14.	11-532022-000	Grip Ring
15.	12-100447-000	Groove Pin
16.	12-100370-000	Yoke & Bearing Assembly
17.	11-420008-000	Sleeve Oilite Bearing
18.	12-102178-000	Spring
19.	12-862138-000	Clutch Lever Support Kit
20.	11-010139-001	Hex Head Slotted Machine Screw (1/4-20 x 1-1/4")
21.	11-125007-001	Hex Nut (1/4-20)
22.	12-100185-014	Spacer
23.	11-125101-001	Hex Nut (1/4-28)
24.	12-100053-000	Pin
25.	11-335053-001	Cotter Pin (1/16 x 1/2")
26.	11-433000-000	Ball Bearing
27.	12-100061-002	Pin
28.	12-100318-002	X-Washer Pin
29.	12-100487-000	Pin
30.	11-435501-000	Ball Bearing
31.	11-190004-001	Flat Washer (#8)
32.	11-170004-000	Locknut
33.	12-100486-000	Clutch Lever Assembly

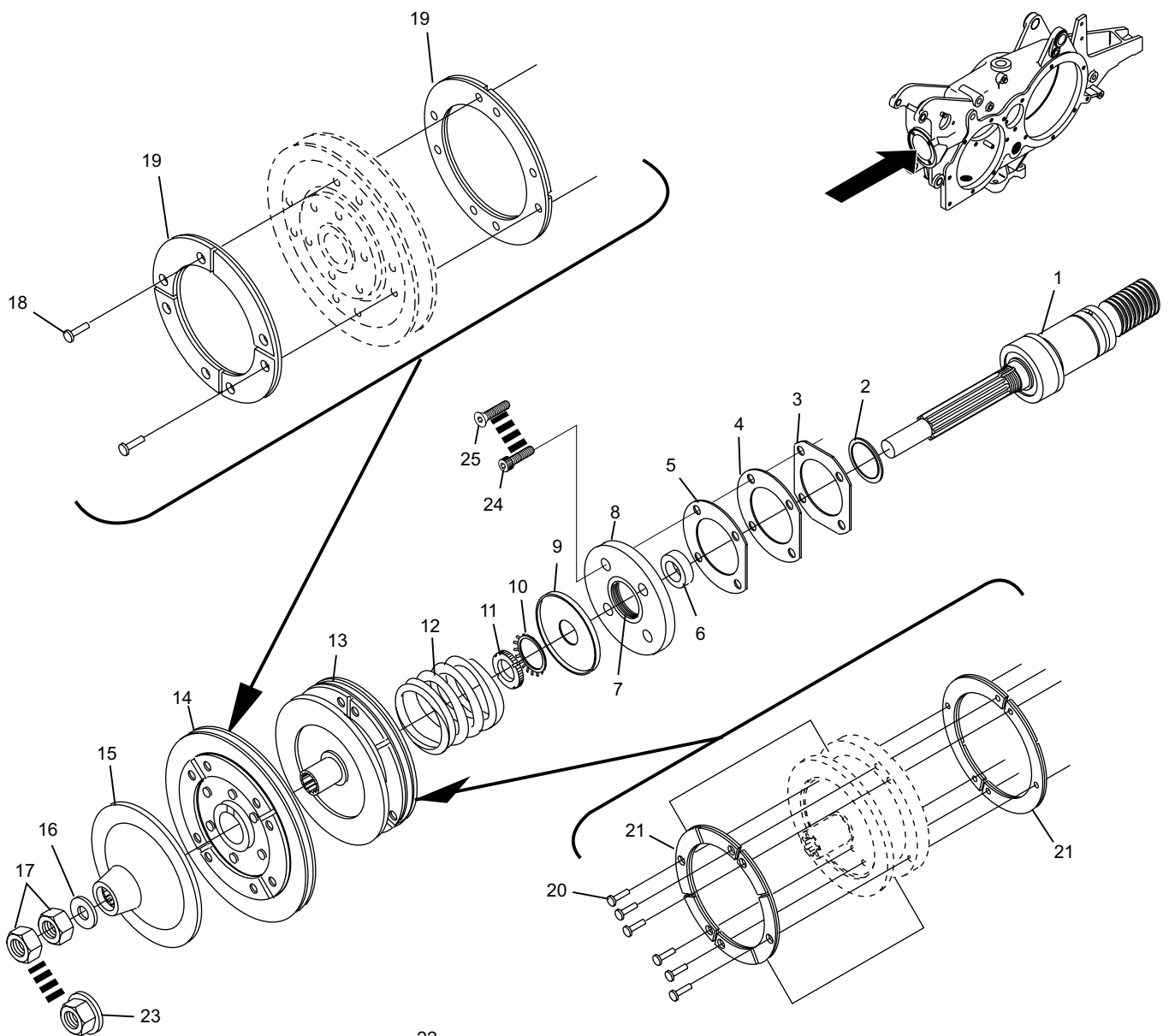
N.A.= No Longer Available



Gear Box Assembly

Index		
No.	Part No.	Description
1.	12-860171-000	60:1 Worm Shaft
	12-860722-000	27:1 Worm Shaft (1 Pkg.)
2.	11-625501-000	O-Ring
3.	12-100391-000	Gear Box Housing Gasket
4.	12-100381-002	Shim (.005")
5.	12-100381-003	Shim (0.010")
6.	12-100185-003	Spacer
7.	11-625000-000	Oil Seal
8.	12-100477-000	Bearing Retainer
9.	12-100058-000	Spring Disc
10.	11-231005-001	AFBMA Standard Lockwasher
11.	11-160005-001	AFBMA Standard Locknut
12.	12-100090-000	Compression Spring
13.	12-860613-000	Clutch Drive Disc
14.	12-860717-000	Clutch Pulley Assembly
	12-860716-000	Clutch Bearing Assembly
	12-860630-000	Clutch Pulley Assembly
15.	12-860626-000	Clutch Drive Disc
	11-350456-001	Drive Pin (1/4 x 7/8")
16.	10-191562-000	Washer (25/32)
17.	11-125115-001	Hex Nut (3/4-16)
18.	11-301003-001	Rivet
19.	12-862864-603	Advanced Performance Duty Clutch Face Kit
	12-862864-003	Clutch Face Kit
20.	11-301002-001	Rivet (3/16-1/2")
	11-301001-001	Rivet (3/16-3/8")
21.	12-862864-605	Advanced Performance Clutch Face Disc
	12-862864-005	Clutch Face Kit
	12-862864-004	Clutch Face Kit
22.	12-860603-000	Worm Shaft Oil Leak Repair Kit
23.	11-131516-000	Flange Nut (3/4-16)
24.	11-005263-001	Hex Head Socket Cap Screw (5/16-18 x 7/8")
25.	11-007264-001	Flat Head Socket Cap Screw (5/16-18 x 1")

Gear Box Drive Disc Clutch Face



Oil Leak Repair Kit
Not Illustrated

Gear Box Drive Disc Clutch Face

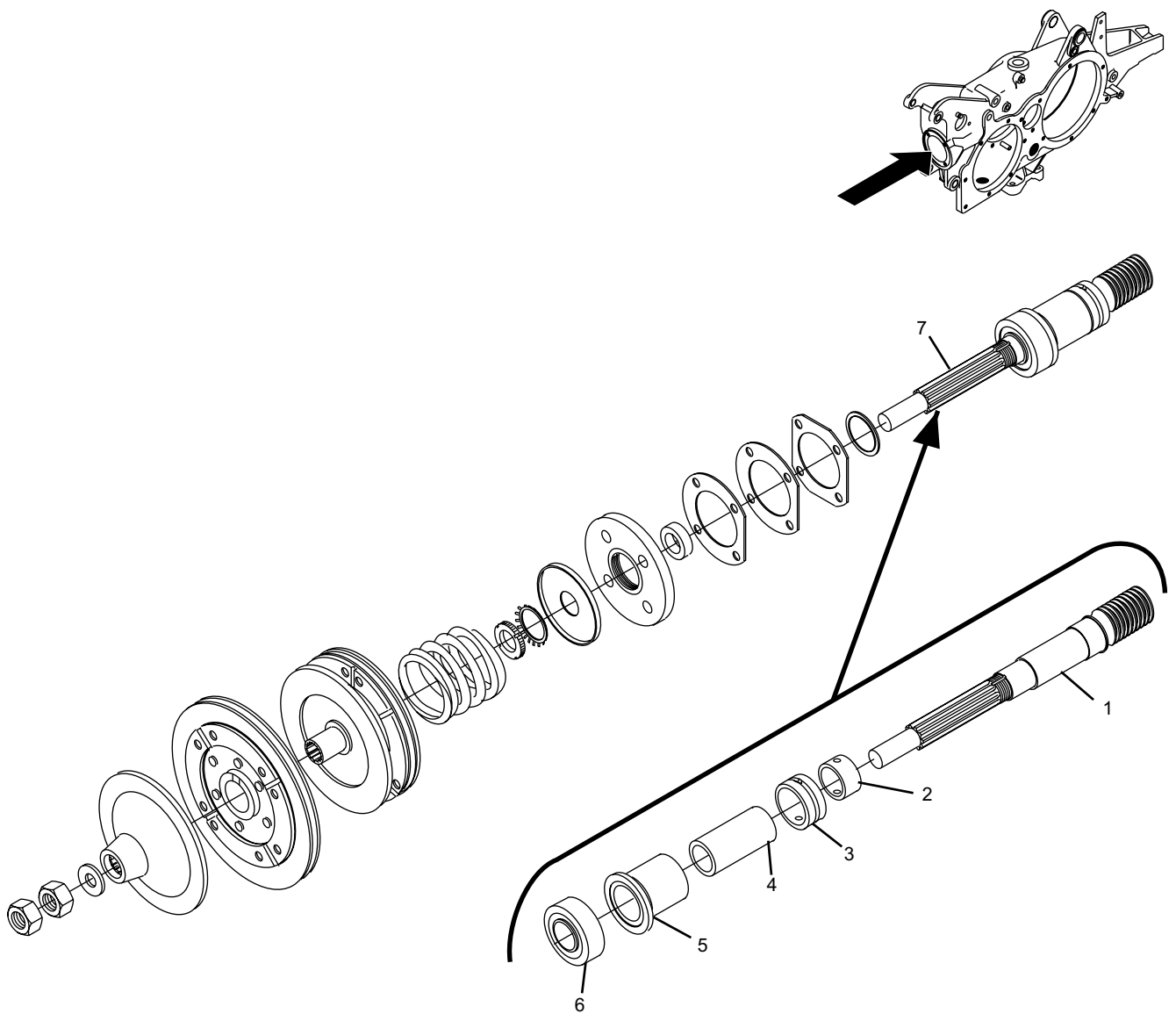
Index

No.	Part No.	Description
1.	12-860171-000	60:1 Worm Shaft
	12-860722-000	27:1 Worm Shaft (1 Pkg.)
2.	11-450200-000	Ball Bearing
3.	11-450100-000	Ball Ring & Roller Bearing
4.	12-100185-002	Spacer
5.	12-100066-000	Spacer
6.	11-432002-000	Ball Bearing
7.	12-860172-000	60:1 Worm Shaft Assembly
8.	12-862861-000	Gear Box Input Rebuilt Kit, See Note

NOTE: *Gear Box Input Rebuilt Kit includes:*

12-100146-000 Clutch Shoe (2)
12-100168-002 Pin (1)
12-100168-003 Pin (1)
12-860626-000 Clutch Drive Disc (1)
12-860613-000 Clutch Drive Disc (1)
12-100257-000 Hex Head Socket Cap Screw (1)
11-530015-000 External Retaining Ring (2)
11-190016-001 Flat Washer (7/16") (2)
12-860717-000 Clutch Pulley Assembly (1)
12-860172-000 60:1 Worm Shaft Assembly (1)
11-125201-001 Nut, Hex Jam (2)

Worm Shaft



8

Rebuild Kit
Not Illustrated

Worm Shaft

Index

No.	Part No.	Description
1.	12-860171-000	60:1 Worm Shaft, Assembly shown in 12-860172-000
	12-860722-000	27:1 Worm Shaft (1 Pkg.)
2.	11-625501-000	O-Ring
3.	12-100391-000	Gear Box Housing Gasket
4.	12-100381-002	Shim (.005")
5.	12-100381-003	Shim (0.010")
6.	12-100185-003	Spacer
7.	11-625000-000	Oil Seal
8.	12-100477-000	Bearing Retainer
9.	12-100058-000	Spring Disc
10.	11-231005-001	AFBMA Standard Lockwasher
11.	11-160005-001	AFBMA Standard Locknut
12.	12-100090-000	Compression Spring
13.	12-860613-000	Clutch Drive Disc
14.	12-860717-000	Clutch Pulley Assembly
	12-860716-000	Clutch Bearing Assembly
15.	12-860626-000	Clutch Drive Disc
	11-350456-001	Drive Pin (1/4 x 7/8")
16.	10-191562-000	Washer (25/32)
17.	11-121519-001	Hex Nut
	11-131516-000	Flange Nut (3/4-16)
18.	12-100890-000	Spacer
19.	12-100892-000	Clutch Bearing Assembly
20.	12-100891-000	Bearing Retainer
21.	12-860630-000	Clutch Pulley Assembly
22.	N.A.	Clutch Bearing Assembly, See Note
23.	11-170104-001	Flexlock Hex Nut (#10-24)
24.	11-007090-001	Flat Head Socket Cap Screw (10-24 x 5/8")

N.A. = No Longer Available

NOTE: *Bearing Assembly for Clutch Pulley, includes:*

12-100892-000 Clutch Bearing Assembly

12-100423-000 Clutch Bearing Sleeve

12-100890-000 Spacer

12-100891-000 Retainer

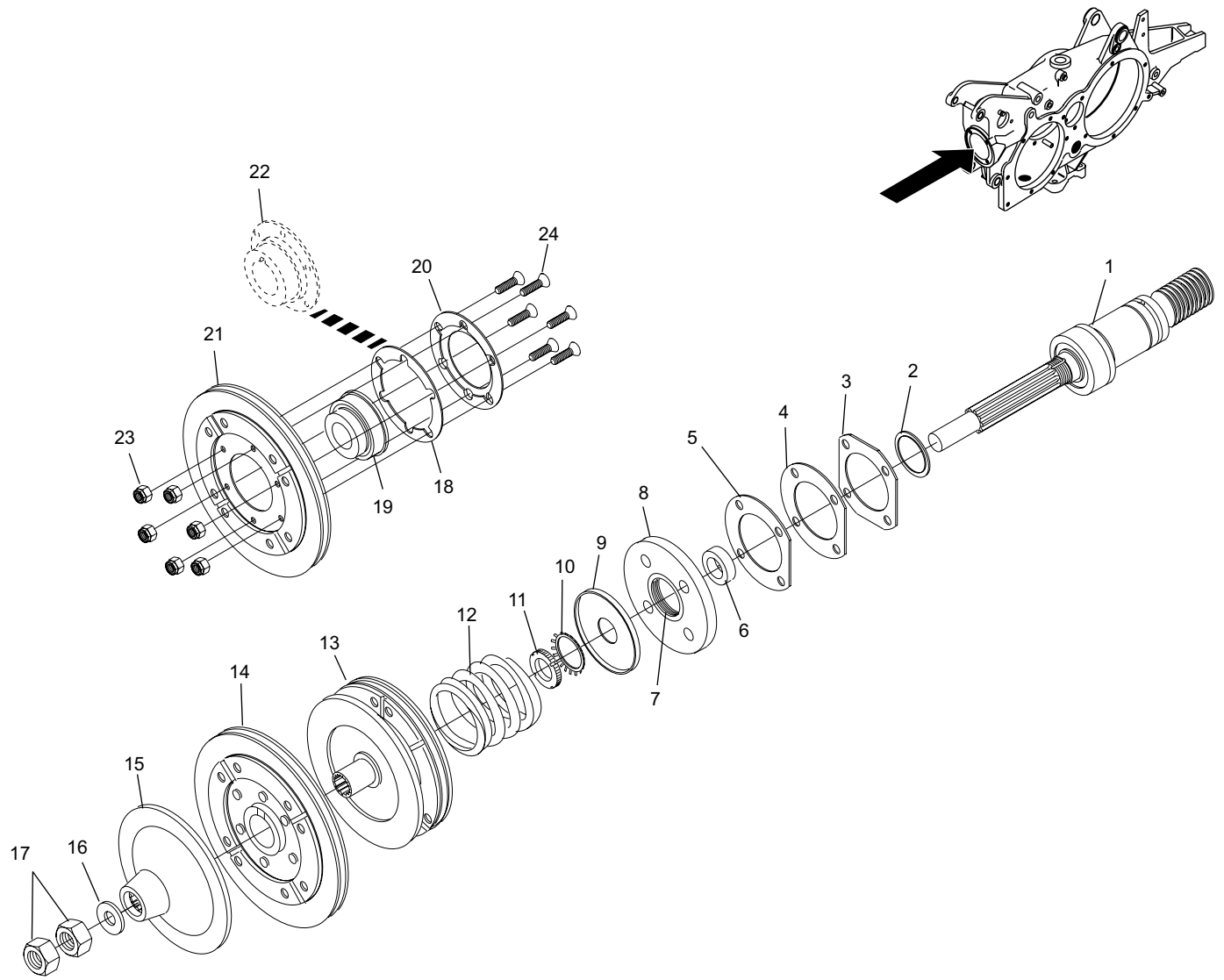
11-008302-001 Nylock

12-100909-000 Bearing Housing

12-100910-000 Wave Spring

12-860630-000 Clutch Pulley and Facing Only

Worm Shaft



Worm Shaft

Index

No.	Part No.	Description
1.	11-625501-000	O-Ring
2.	11-432002-000	Ball Bearing
3.	12-100066-000	Spacer
4.	12-100185-002	Spacer
5.	11-450100-000	Ball Ring & Roller Bearing
6.	11-450200-000	Ball Bearing
7.	12-860719-000	27:1 Worm Shaft
8.	N.A.	27:1 Worm & Worm Gear Conversion Kit
9.	12-860722-000	27:1 Worm Shaft (1 Pkg.)
10.	11-101164-001	Set Screw (1/4-20 x 1/2")
11.	12-403081-000	Motor Pulley Assembly
12.	10-635320-000	V-Belt (Motor to Gear Box)
	10-635321-000	V-Belt (Motor to Gear Box)
13.	12-100902-002	Worm Gear (27:1)
14.	12-100187-002	Square Key
15.	N.A.	27:1 Worm & Worm Gear Conversion Kit, A & Jet Back
16.	12-100341-000	Rake Crank Housing Gasket
	12-102166-002	Shim (.005), blue
	12-102166-003	Shim (.010), brown
	12-102166-004	Shim (.020), yellow
17.	12-100187-011	Square Key
18.	12-100317-000	O-Ring

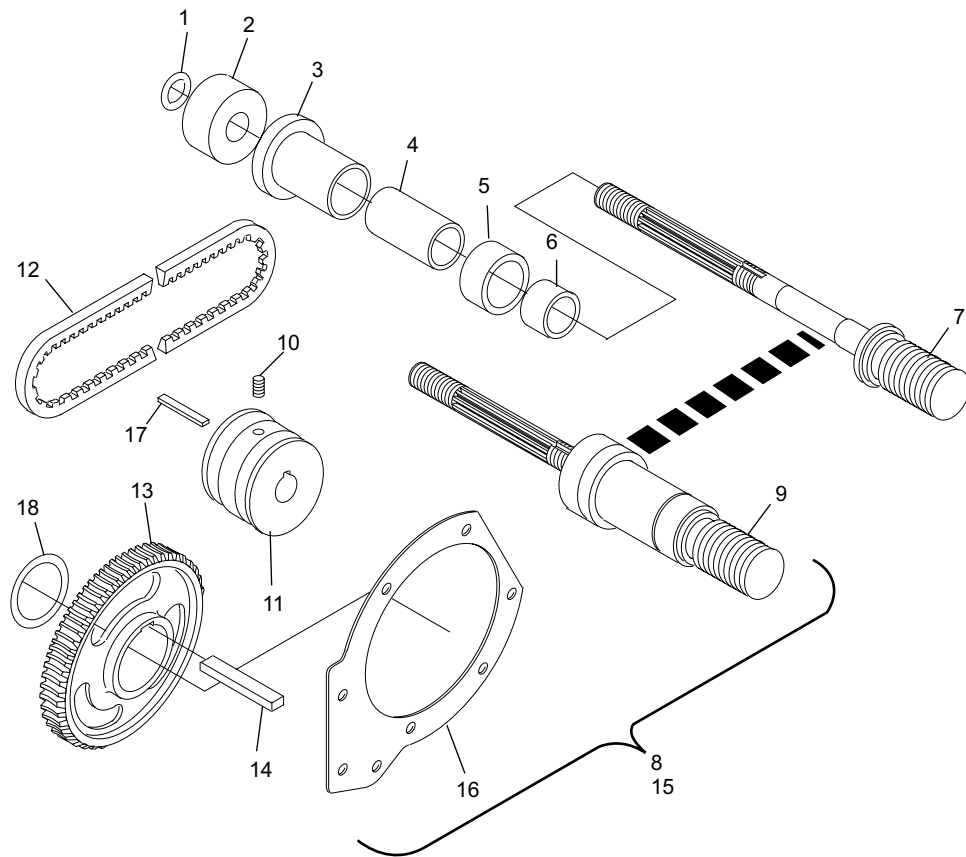
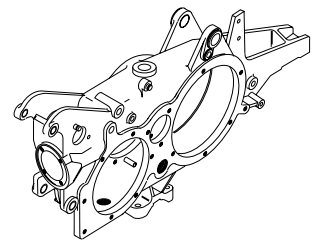
N.A. = No Longer Available

NOTE: The 27:1 Component parts are NOT interchangeable with original 60:1 worm gear assemblies.

Check Gear Box for 27:1 identification tag.

Motor Belt & Pulley must be changed with conversion.

Worm Shaft



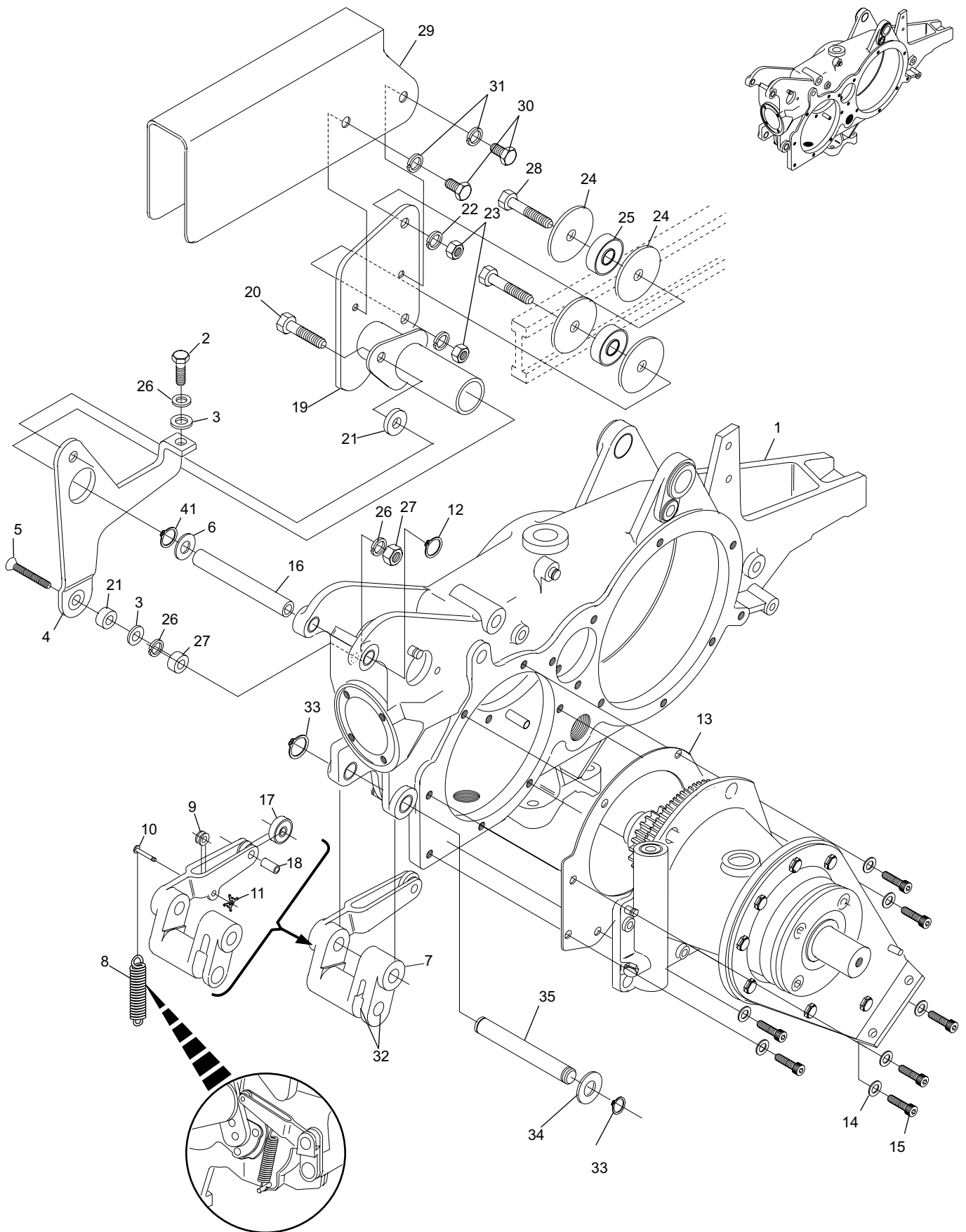
Worm Shaft

Index

No.	Part No.	Description
1.	N.A.	Gear Box Core Only (see page 22A for breakdown)
2.	11-001342-001	Hex Head Cap Screw (3/8-16 x 3/4")
3.	11-190014-001	Flat Washer (3/8)
4.	12-102212-000	Plate
5.	11-007348-001	Flat Head Socket Cap Screw (3/8-16 x 1-1/2")
6.	11-190018-001	Flat Washer (1/2)
7.	12-100250-000	Clutch Cam Lever Assembly
8.	12-100158-000	Tension Spring
9.	10-376010-000	Spring Roller
10.	12-100166-022	X-Washer Pin
11.	11-230000-001	X-Washer (3/32)
12.	11-530017-001	External Retaining Ring
13.	12-100341-000	Rake Crank Housing Gasket
14.	N.A.	Copper Gasket
15.	11-005266-001	Hex Head Socket Cap Screw (5/16-18 x 1-1/4")
16.	12-100168-002	Pin
17.	11-435001-000	Ball Bearing
18.	12-100074-000	Bearing Shaft
19.	12-102819-000	Bearing Support Assembly
20.	11-001347-001	Hex Head Cap Screw (3/8-16 x 1-3/8")
21.	10-386095-000	Spacer (13/32 x 3/8")
22.	11-195017-001	Lockwasher (7/16)
23.	11-125107-001	Hex Nut (7/16-20)
24.	12-102789-000	Spacer
25.	11-450304-000	Cam Bearing (.4377 I.D. X 1.500 O.D.)
26.	11-195016-001	Lockwasher (3/8)
27.	11-125104-001	Hex Nut (3/8-16)
28.	11-005474-001	Hex Head Socket Cap Screw (7/16-20 x 2-1/2")
29.	12-102821-000	Guard
30.	11-010132-001	Hex Head Slotted Machine Screw (1/4-20 x 1/2")
31.	11-195014-001	Lockwasher (1/4)
32.	11-420019-000	Sleeve Oilite Bearing (.627 I.D. X .753 O.D.)
33.	11-530021-001	External Retaining Ring
34.	12-100170-007	Washer
35.	12-100168-004	Pin

N.A. = No Longer Available

Gear Box Assembly

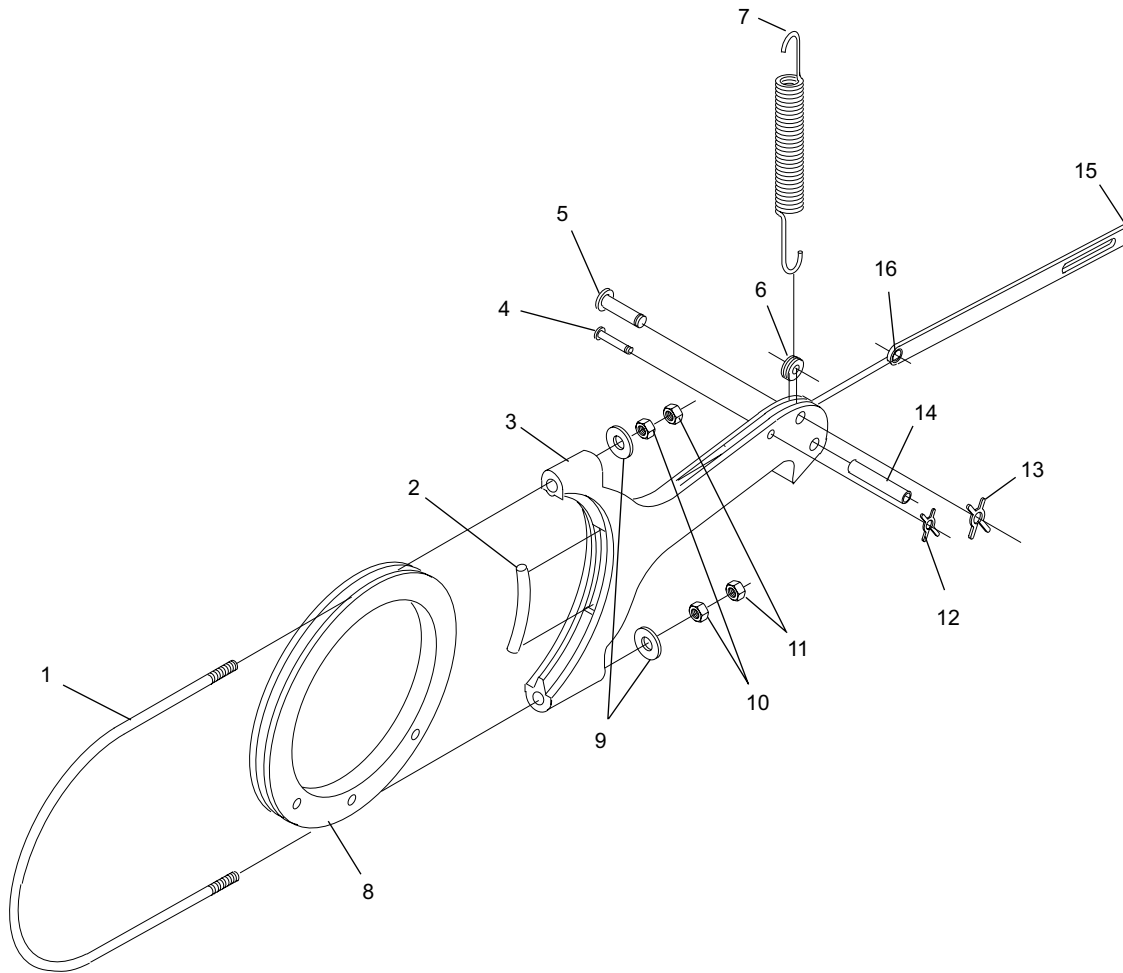
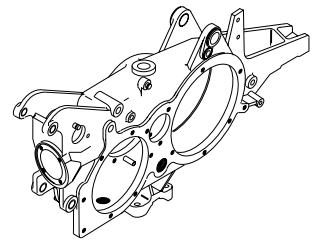


Gear Box Assembly

Index

No.	Part No.	Description
1.	12-100282-000	Deck Hook U-Bolt
2.	12-100480-000	Key
3.	12-100832-000	Deck Lift Hook
4.	12-100166-022	X-Washer Pin
5.	12-100166-027	Pin (.2495 x .820)
6.	10-376010-000	Spring Roller
7.	12-100107-000	Spring
8.	12-100283-000	Eccentric
9.	11-190012-001	Flat Washer - SAE (5/16)
10.	11-125103-001	Hex Nut (5/16-24)
11.	11-125203-001	Hex Jam Nut (5/16-24)
12.	11-230000-001	X-Washer (3/32)
13.	11-230001-001	X-Washer (1/8)
14.	11-360619-000	Spiral Pin (5/16 x 1-5/8")
15.	12-100357-000	Connecting Link
16.	N.A.	Bearing, order 12-100357-000

N.A. = No Longer Available



Deck Lift Hook Assembly

Index

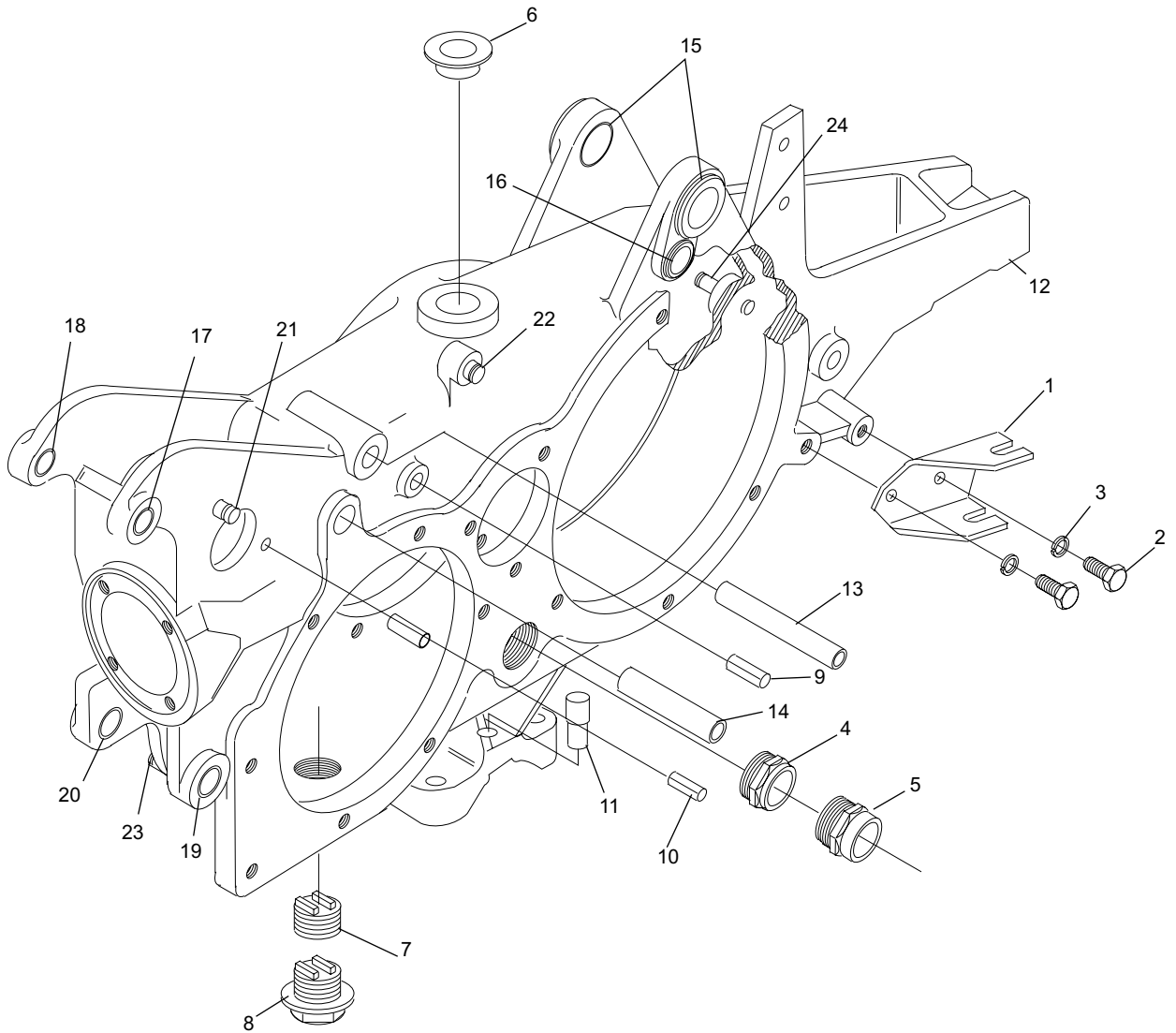
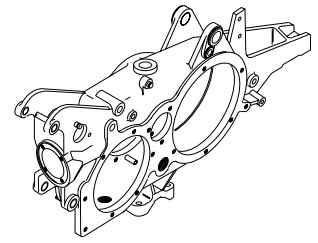
No.	Part No.	Description
1.	12-100048-000	Bracket
2.	11-001182-001	Hex Head Cap Screw (1/4-20 x 3/4")
3.	11-195014-001	Lockwasher (1/4)
4.	11-590102-000	Oil Gauge-Plug Type
5.	12-100459-000	Sight Gauge
6.	12-100901-000	Oil Hole Cover
7.	12-100359-000	Magnetic Plug
8.	11-030505-000	Magnetic Plug (3/4-14 x .815)
9.	11-345463-000	Roll Pin - (.312 X 1-1/8"), See Note 1
10.	11-345412-000	Roll Pin (1/4 x 1")
11.	12-100308-000	Locating Pin
12.	N.A.	Gear Box Housing Assembly, See Note 1
	12-102184-000	Gear Box Housing Assembly, See Note 2
13.	12-200049-004	Stud, See Note 1
	12-102750-000	Stud, See Note 2
14.	12-200049-003	Stud
15.	11-421108-000	Bearing (.815 I.D. X 1.002 O.D.)
16.	11-421015-000	Flanged Oilite Bearing
17.	11-420015-000	Sleeve Oilite Bearing
18.	11-420011-000	Sleeve Oilite Bearing
19.	12-100139-003	Plain Bearing
20.	11-420020-000	Bearing (.627 I.D. X .753 O.D.)
21.	11-353207-000	Drive Pin (5/16 x 1")
22.	12-100169-006	Post
	11-353205-000	Drive Pin (5/16 x 3/4")
23.	N.A.	Spring Post, for machines S/N prior to 90135
	10-353001-000	Pin
24.	N.A.	Spring Post, for machines S/N prior to 90135
	11-353208-001	Drive Pin (5/16 x 1-1/4")

N.A. = No Longer Available

NOTE 1: For machines S/N prior to 90135. Order 11-420015-000, for machines S/N 90135 and up.

NOTE 2: For machines S/N 90135 and up. Order 12-100169-006, for machines S/N prior to 90135.

Gear Box Housing Assembly



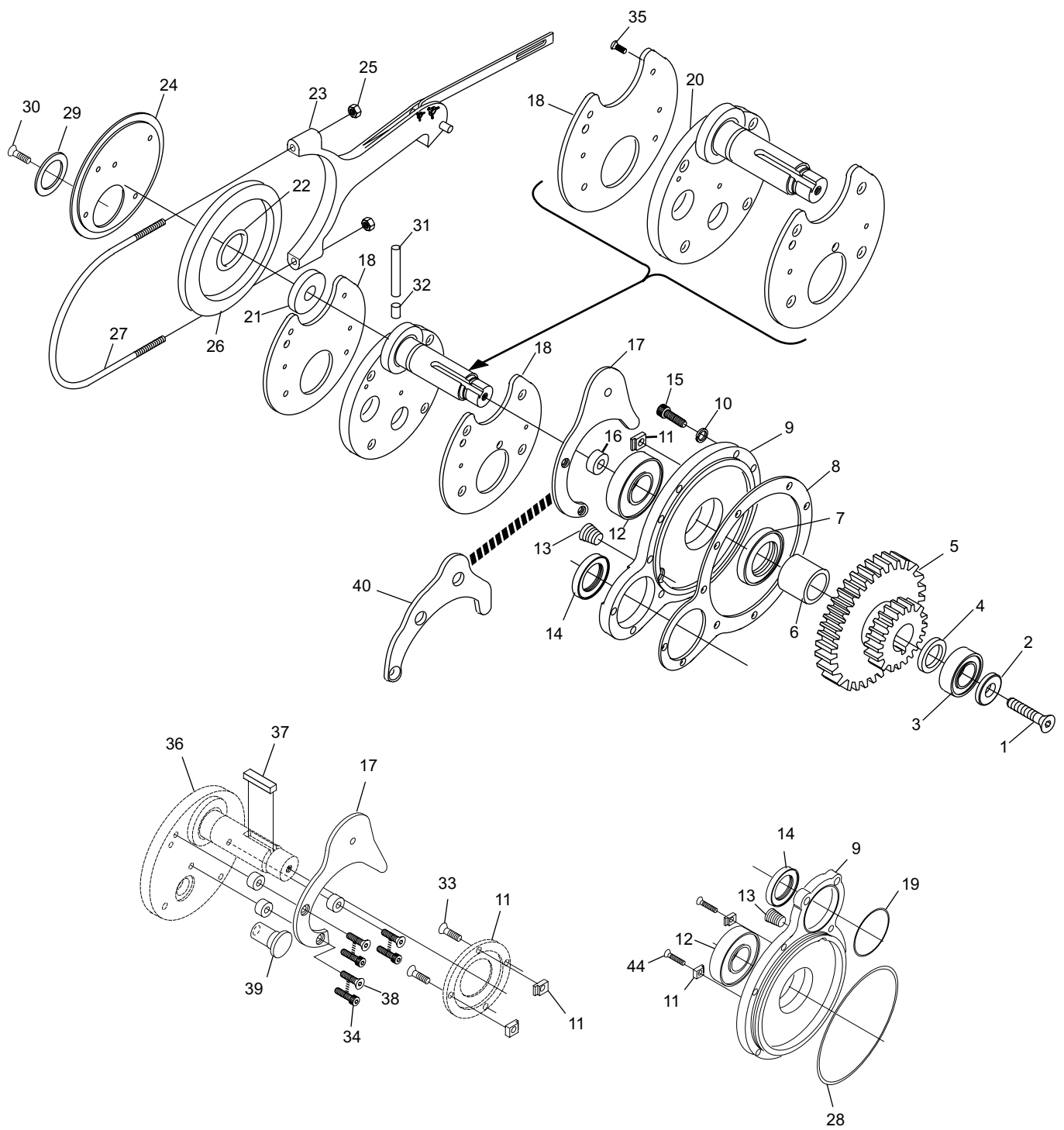
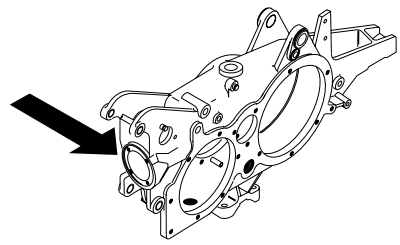
Gear Box Housing Assembly

Index

No.	Part No.	Description
1.	11-007344-001	Flat Head Socket Cap Screw (3/8-16 x 1")
2.	12-100065-002	Washer
3.	11-430003-000	Ball Bearing
4.	12-100185-005	Spacer
5.	12-100150-000	Gear
6.	12-100185-006	Spacer
7.	11-625003-000	Oil Seal
8.	12-100340-000	R.H Gear Box Cover Gasket
9.	12-100177-000	Gear Box Cover
10.	12-100344-002	Gasket
11.	12-100431-000	Retaining Bearing
12.	11-430017-000	Ball Bearing
13.	11-030004-001	Pipe Plug (1/2-14 x .582 Max.)
14.	11-625001-000	Oil Seal
	11-625005-000	Oil Seal
15.	11-005263-001	Hex Head Socket Cap Screw (5/16-18 x 7/8")
16.	12-100896-000	Spacer
17.	12-100387-000	Deck Lift Hook Cam, for machines prior to 90,000
18.	12-100898-000	Cover
19.	11-625529-000	O-Ring
20.	12-862185-000	Deck Lift Crank
21.	12-100458-000	Felt Pad
22.	12-100290-000	O-Ring
23.	12-100832-000	Deck Lift Hook
24.	12-100830-000	Clamp Ring
25.	11-125203-001	Hex Jam Nut (5/16-24")
26.	12-100283-000	Eccentric
27.	12-100282-000	Deck Hook U-Bolt
28.	11-625530-000	O-Ring
29.	12-100185-009	Spacer
30.	11-007182-001	Flat Head Socket Cap Screw (1/4-20 x 3/4")
31.	12-100457-000	Felt Wick
32.	N.A.	Felt Wick
33.	11-007264-001	Flat Head Socket Cap Screw (5/16-18 x 1")
34.	11-005182-001	Hex Head Socket Cap Screw (1/4-20 x 3/4")
35.	11-007061-001	Flat Head Hex Socket Cap Screw (8-32 x 3/8")
36.	N.A.	Deck Lift Eccentric
37.	12-100187-005	Square Key
38.	11-007184-001	Flat Head Socket Cap Screw (1/4-20 x 1")
39.	12-100220-000	Pin
40.	12-100831-000	Deck Lift Hook Cam, for machines 90,000 and up

N.A. = No Longer Available

Deck Lift Crank Assembly
For "A", "A" Converted to A-2 and A-2 w/o Scotch Yoke



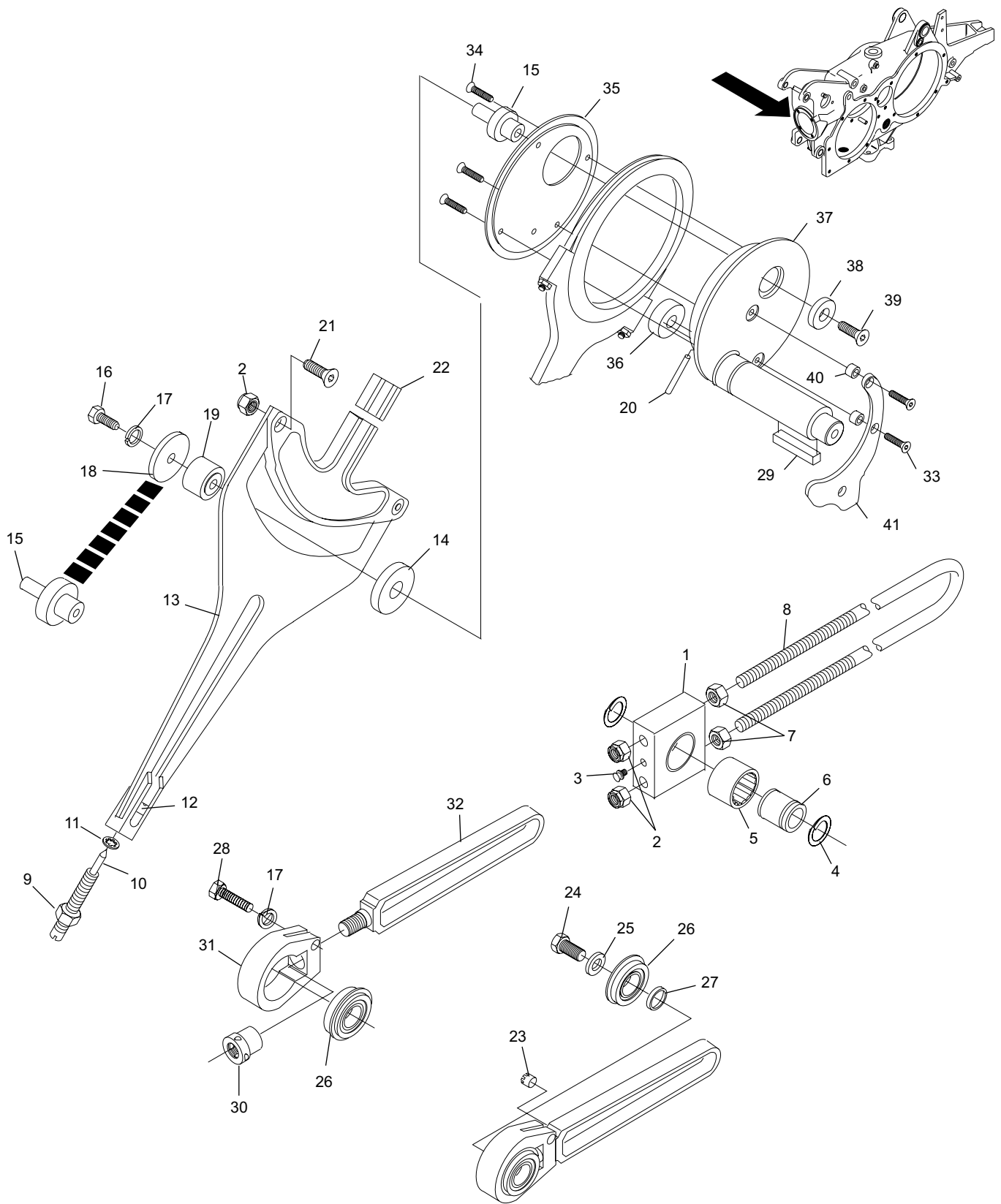
Deck Lift Crank Assembly
For "A", "A" Converted to A-2 and A-2 w/o Scotch Yoke

Index

No.	Part No.	Description
1.	12-100507-000	Bearing Block
2.	11-170011-001	Hex Nut Nylock (3/8-16)
3.	11-280002-000	Grease Fitting Drive
4.	11-533028-000	Spirolox Retaining Ring (1.198 I.D.)
5.	11-481030-000	Roller Bearing (1 1/4 I.D. X 1 5/8 O.D.)
6.	12-100504-000	Inner Ring
7.	11-125104-001	Hex Nut (3/8-16)
8.	12-100506-000	U-Bolt
9.	11-125208-001	Hex Jam Nut (1/2-13)
10.	12-102792-000	Stud
11.	11-532003-001	External Retaining Ring
12.	12-102791-000	Block
13.	12-102816-000	Plate Assembly
14.	10-385529-000	Spacer- Chamfered (13/16 I.D. x 3")
15.	12-102754-000	Bearing Stud
16.	11-001384-001	Hex Head Socket Cap Screw (3/8-24 x 1")
17.	11-195016-001	Lockwasher (3/8)
18.	12-102753-000	Spacer
19.	11-450101-000	Ball Ring & Roller Bearing
20.	12-100457-000	Felt Wick
21.	11-007346-001	Flat Head Socket Cap Screw (3/8-16 x 1-1/4")
22.	12-102815-000	T-Track
23.	N.A.	Oiler (Order 1 ea. 12-100458-000 & 1 ea. 12-100457-000)
24.	11-002365-001	Hex Head Cap Screw (5/8-11 x 1-1/4")
25.	12-100170-003	Washer
26.	11-430008-000	Ball Bearing
27.	12-100046-004	Roller
28.	11-002125-001	Hex Head Socket Cap Screw (3/8-16 x 1-1/4")
29.	12-100187-005	Square Key
30.	12-100216-000	Deck Link Adjusting Sleeve
31.	N.A.	Deck Link Connector
32.	N.A.	Deck Lowering Link
33.	11-007184-001	Flat Head Socket Cap Screw (1/4-20 x 1")
34.	11-007182-001	Flat Head Socket Cap Screw (1/4-20 x 3/4")
35.	12-100830-000	Clamp Ring
36.	12-100458-000	Felt Pad
37.	12-862185-000	Deck Lift Crank
38.	10-193013-000	Washer
39.	11-007384-001	Flat Head Socket Cap Screw (3/8-24 x 1")
40.	12-100896-000	Spacer
41.	12-100831-000	Deck Lift Hook Cam, for A2 machines 90,000 and up
	12-100837-000	Deck Lift Hook Cam, for A machines prior to 90,000

N.A. = No Longer Available

**Deck Lift Eccentric Assembly
For A-2 w/Scotch Yoke Only**

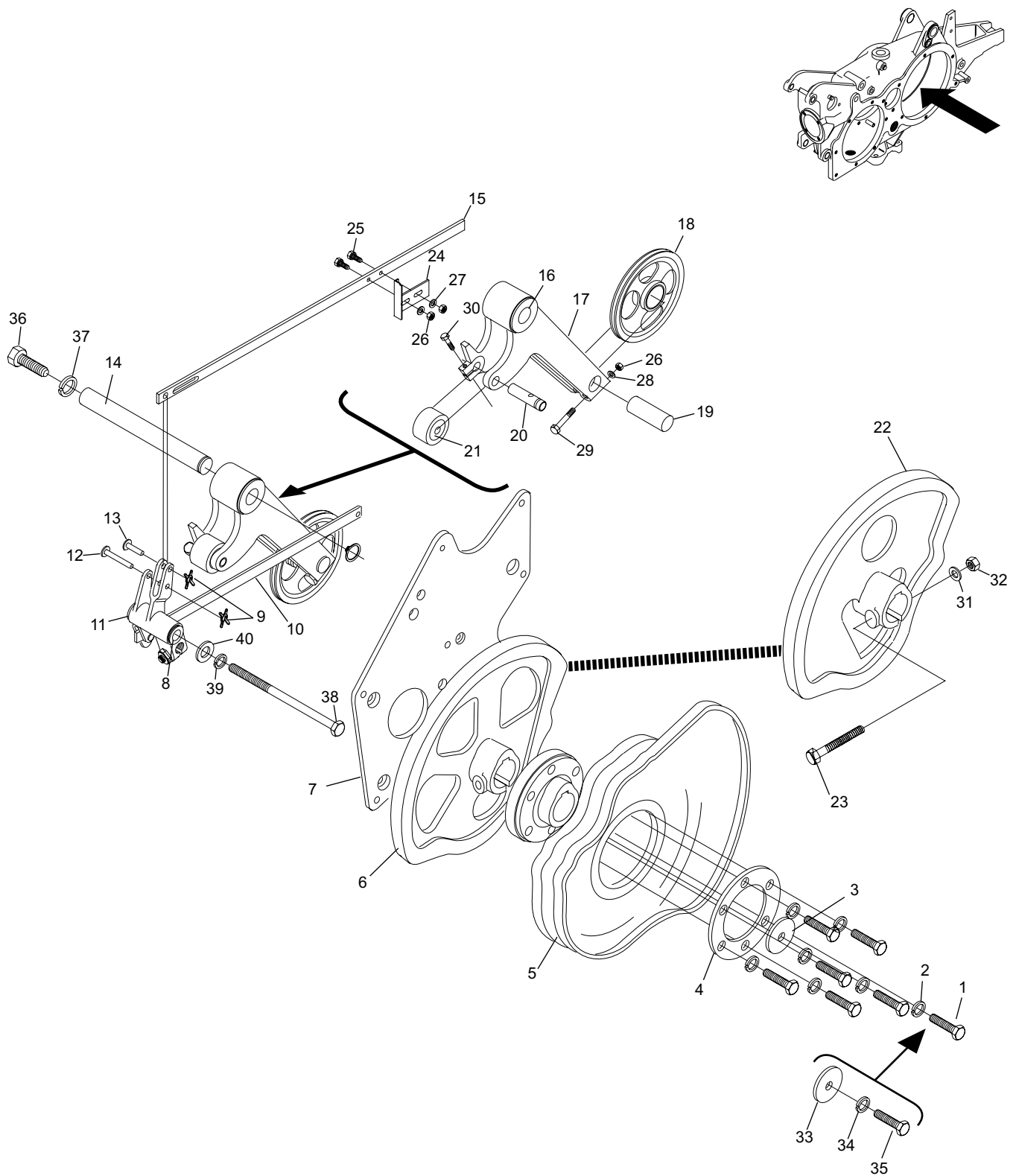


**Deck Lift Eccentric Assembly
For A-2 w/Scotch Yoke Only**

Index

No.	Part No.	Description
1.	11-001344-001	Hex Head Cap Screw (3/8-16 x 1")
2.	11-195016-001	Lockwasher (3/8)
3.	12-100170-006	Washer
4.	12-100044-000	Ring
5.	12-860578-000	Rake Cam Conversion Kit, for machines with Scotch Yoke
6.	12-102794-000	Scissor & Moving Deck Cam
7.	12-100207-000	Mounting Plate
8.	11-421011-000	Bearing (.502 I.D. X .627 O.D.)
	11-421092-000	Flanged Bronze Bearing
9.	11-230000-001	X-Washer (3/32)
10.	12-100363-000	Link
	12-102363-000	Link
11.	12-100236-000	Starter Bellcrank Assembly
	12-102236-000	Starter Bellcrank Assembly
12.	12-100166-019	X-Washer Pin
	12-150158-012	X-Washer Pin
13.	12-100166-005	X-Washer Pin
14.	12-100104-000	Shaft
15.	12-100040-004	Link
16.	11-421109-000	Flanged Oilite Bearing
17.	12-100313-000	Moving Deck Cam Lever
18.	12-100081-000	Pulley Assembly
19.	12-100226-000	Pin
20.	12-100306-000	Pin Assembly
21.	11-450301-000	Ball Bearing
22.	12-100828-002	Scissor & Moving Deck Cam, for machines equipped with link 12-100217-000
23.	11-001517-001	Hex Head Socket Cap Screw (1/2-13 x 3-1/4")
24.	12-100260-000	Actuator
25.	11-017163-001	Round Head Cross Res. W/ Ext. Tooth Lockwasher (10-24 x 1/2")
26.	11-125004-001	Hex Nut (#10-24)
27.	11-190006-001	Flat Washer - SAE (#10)
28.	11-195010-001	Lockwasher (#10)
29.	11-001070-001	Hex Head Socket Cap Screw (10-24 x 1-3/4")
30.	11-001068-001	Hex Head Cap Screw (10-24 x 1-1/2")
31.	11-195018-001	Lockwasher (1/2)
32.	11-125108-001	Hex Nut (1/2-13)
33.	12-100170-015	Washer
34.	11-195020-001	Lockwasher (5/8)
35.	11-001664-001	Hex Head Socket Cap Screw
36.	11-001266-001	Hex Head Cap Screw (5/16-18 x 1-1/4")
37.	11-195015-001	Lockwasher (5/16)
38.	12-100441-000	Special Hex Head Bolt
39.	11-195014-001	Lockwasher (1/4)
40.	12-100170-012	Washer

Gear Box Assembly



Gear Box Assembly

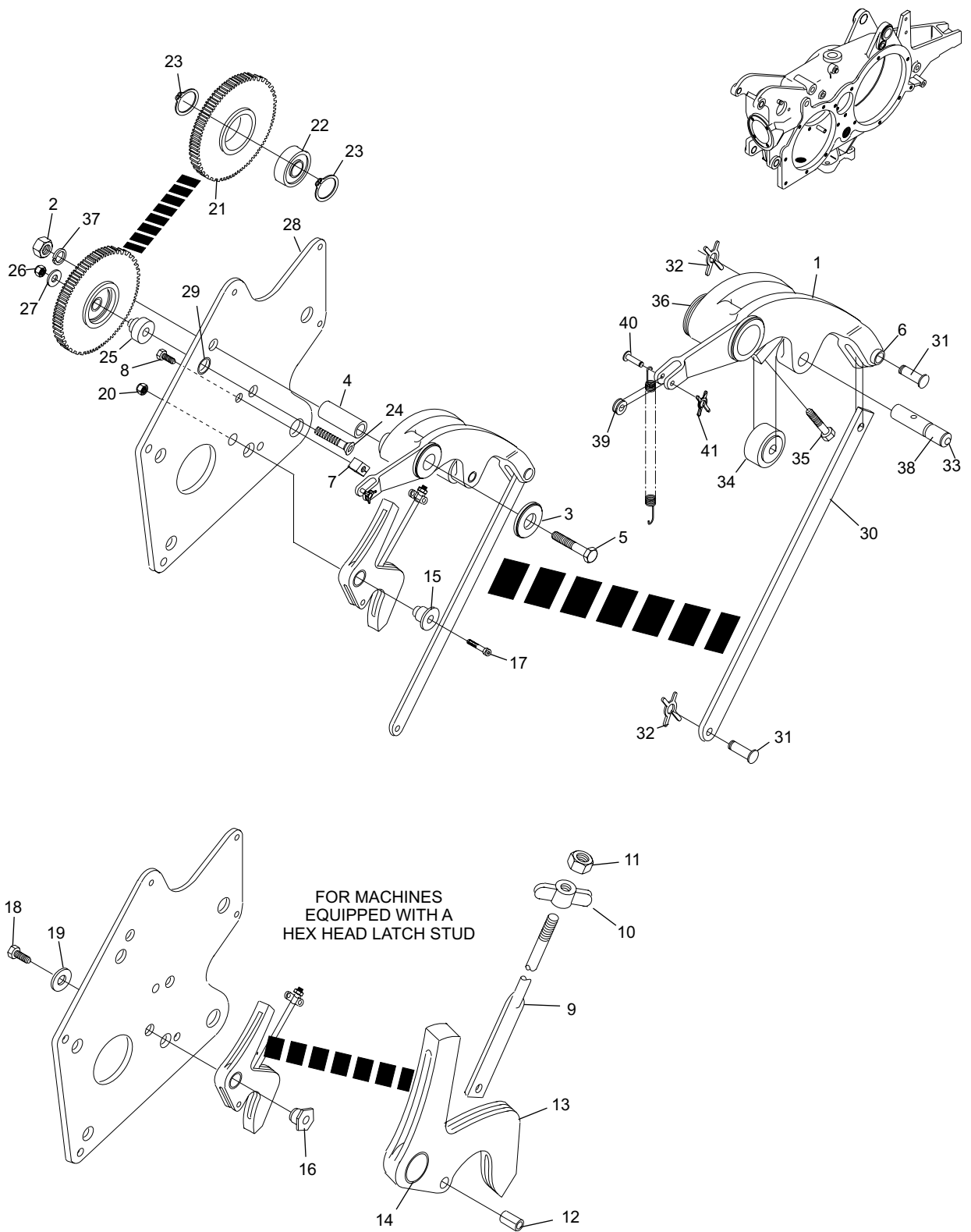
Index

No.	Part No.	Description
1.	12-100365-000	Scissor
2.	11-125108-001	Hex Nut (1/2-13)
3.	12-100170-007	Washer
4.	12-100046-003	Spacer
5.	11-001517-001	Hex Head Socket Cap Screw (1/2-13 x 3-1/4")
6.	11-420038-000	Bearing (.3135 I.D. X .4395 O.D.)
7.	12-100051-000	Stop
8.	11-015367-001	Hex Head Socket Cap Screw (5/16-18 x 3/4")
9.	12-100353-000	Link
10.	12-100354-000	Adjusting Block
11.	11-125203-001	Hex Jam Nut (5/16-24)
12.	11-345404-000	Roll Pin (1/4 x 1/2")
13.	12-100238-051	Latch & Bearing Assembly
14.	11-420018-000	Sleeve Oilite Bearing
15.	12-100488-000	Latch Stud
16.	N.A.	Hex Head Latch Stud, See Note
17.	11-005263-001	Hex Head Socket Cap Screw (5/16-18 x 7/8")
18.	11-001262-000	Hex Head Cap Screw (5/16-18 x 3/4")
19.	11-190012-001	Flat Washer - SAE (5/16)
20.	11-170009-001	Hex Nut Nylock (5/16-18)
21.	12-100233-000	Idler Gear
22.	11-430012-000	Bearing, single (.4724 ID X 1.2598 OD)
23.	11-531008-000	Inverted Internal Retaining Ring
24.	11-007190-001	Flat Head Socket Cap Screw (1/4-20 x 1-3/4")
25.	12-100080-000	Stud
26.	11-170007-001	Hex Nut Nylock (1/4-20)
27.	11-190010-001	Flat Washer (1/4)
28.	12-100207-000	Mounting Plate
29.	11-421015-000	Flanged Oilite Bearing
30.	12-100219-000	Cam Lever Link
31.	12-100166-021	X-Washer Pin
32.	11-230002-001	"X" Washer (5/32)
33.	11-280002-000	Grease Fitting Drive
34.	11-450301-000	Ball Bearing
35.	11-001068-001	Hex Head Cap Screw (10-24 x 1-1/2")
36.	11-421109-000	Flanged Oilite Bearing
37.	11-195010-001	Lockwasher (#10)
38.	12-100305-000	Pin Assembly
39.	10-376010-000	Spring Roller
40.	12-100166-006	X-Washer Pin (7/8 x .187)
41.	11-230000-001	X-Washer (3/32)

N.A. = No Longer Available

*NOTE: The Hex Head Latch Stud is no longer available.
Order 12-100488-000, 11-005263-001, and 11-170009-000.*

Gear Box Assembly

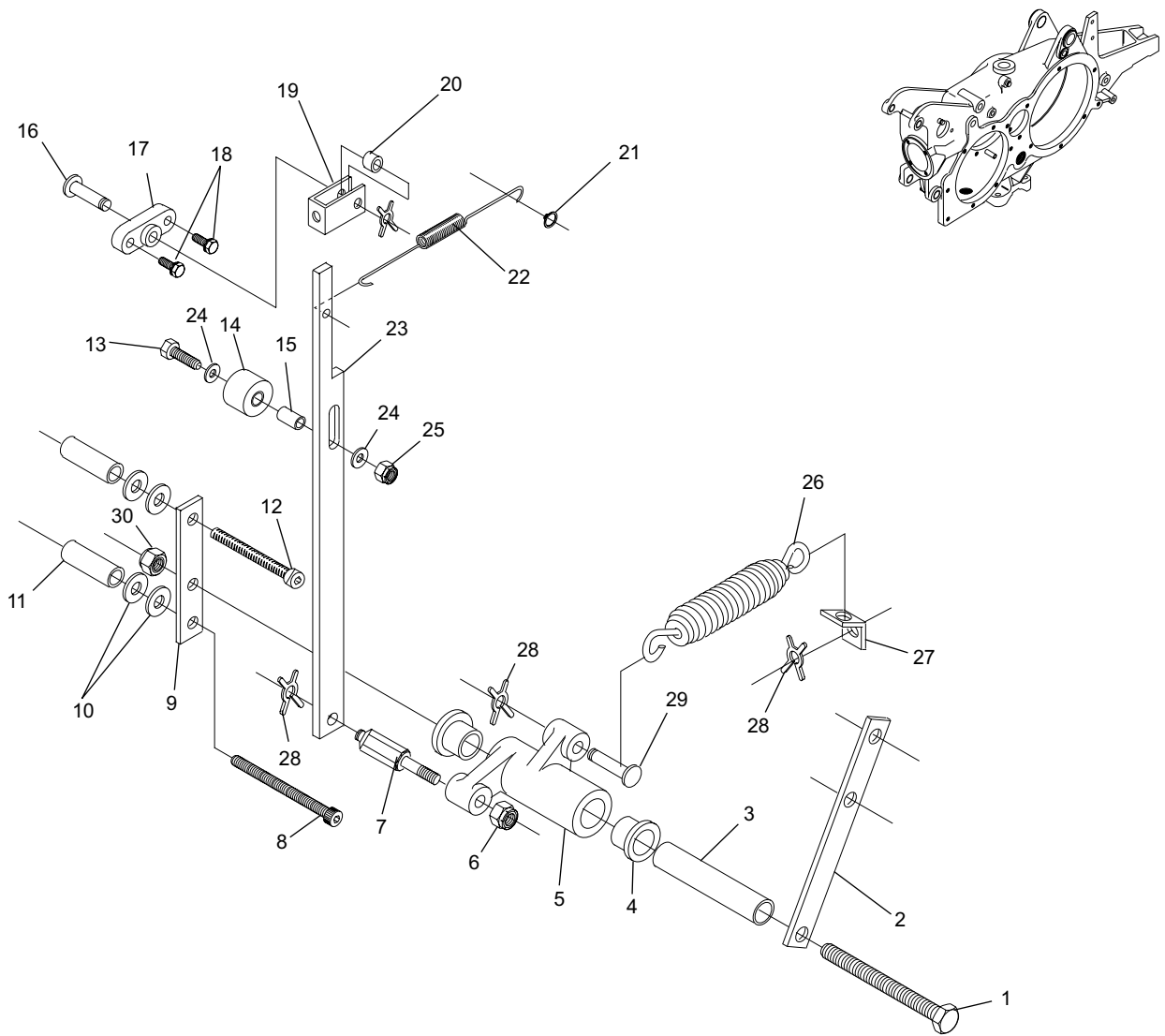


Gear Box Assembly

Index

No.	Part No.	Description
1.	11-001360-001	Hex Head Cap Screw (3/8-16 x 4")
2.	12-100866-000	Mounting Strap
3.	12-100869-000	Pivot Spacer
4.	11-421019-000	Flanged Oilite Bearing
5.	12-100863-000	Bell Crank Assembly
6.	11-170007-001	Hex Nut Nylock (1/4-20)
7.	12-100870-000	Washer Stud
8.	11-005278-001	Hex Socket Head Cap Screw (5/16-18 x 3-1/2")
9.	N.A.	Spacer Plate
10.	11-190012-001	Flat Washer - SAE (5/16)
11.	12-100873-000	Spacer
12.	11-005274-001	Hex Socket Head Cap Screw (5/16-18 x 2-1/2")
13.	11-001066-001	Hex Head Cap Screw (10-24 x 1-1/4")
14.	12-100877-000	Bumper
15.	12-100876-000	Spacer
16.	10-229510-000	X-Washer Pin
17.	12-100871-000	Stud Plate
18.	11-081017-001	Hex Washer Self Tapping Screw (10-24 x 5/8")
19.	12-100872-000	Retainer
20.	12-200047-003	Spacer
21.	11-534510-001	Grip Ring (.250 SHAFT DIA.)
22.	12-100874-000	Tension Spring
23.	12-100867-000	Latch
24.	11-190006-001	Flat Washer - SAE (#10)
25.	11-170005-001	Hex Nut Nylock (#10-24)
26.	12-100865-000	Tension Spring
27.	12-100875-000	Clip
28.	11-230001-001	X-Washer (1/8)
29.	10-229509-000	X-Washer Pin
30.	11-170011-001	Hex Nut Nylock (3/8-16)

N.A. = No Longer Available

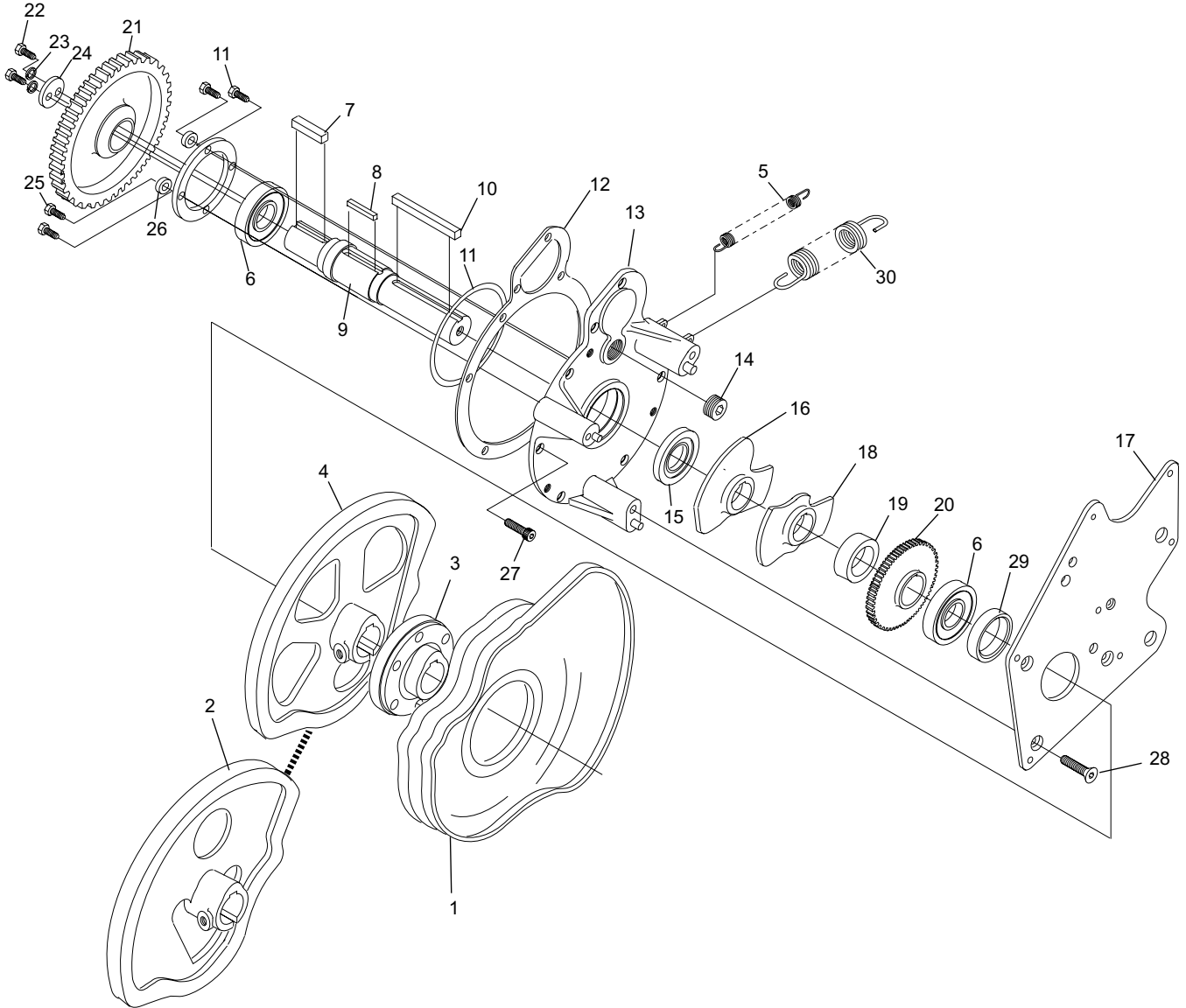
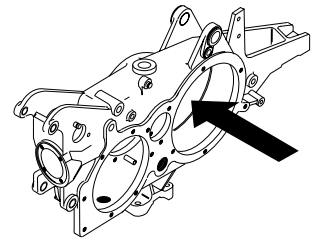


Deck and Turret Jam Protection Kit

Index

No.	Part No.	Description
1.	12-860578-000	Rake Cam Conversion Kit
2.	12-102794-000	Scissor & Moving Deck Cam, for machines equipped with Scotch Yoke
3.	12-100045-000	Rake Cam Hub
4.	12-100828-002	Scissor & Moving Deck Cam, for machines equipped with 12-100217-000 link
5.	12-100102-000	Tension Spring
6.	11-430011-000	Ball Bearing
7.	12-100187-007	Square Key
8.	12-100164-000	Rectangular Key
9.	12-100130-000	Shaft
10.	12-100187-008	Square Key
11.	11-625530-000	O-Ring
12.	12-100339-000	L.H. Gear Box Cover Gasket
13.	N.A.	Cover & Pin Only
14.	11-030004-001	Pipe Plug (1/2-14 x .582 Max.)
15.	12-100088-000	Oil Seal
16.	12-100122-000	Extended Cycle Cam
17.	12-100207-000	Mounting Plate
18.	12-100123-000	Cam
19.	12-102123-000	Spacer
20.	12-100068-000	Drive Gear
21.	12-100140-000	Spur Gear
22.	11-001909-001	Hex Head Socket Cap Screw (5/16-18 x 1")
23.	11-195015-001	Lockwasher (5/16")
24.	12-100223-000	Washer
25.	11-015287-001	Hex Head Socket Cap Screw (1/4-20 x 3/4")
26.	12-100433-000	Bearing Retainer
27.	11-005263-001	Hex Head Socket Cap Screw (5/16-18 x 7/8")
28.	11-007346-001	Flat Head Socket Cap Screw (3/8-16 x 1-1/4")
29.	12-100185-004	Spacer
30.	12-100109-000	Tension Spring

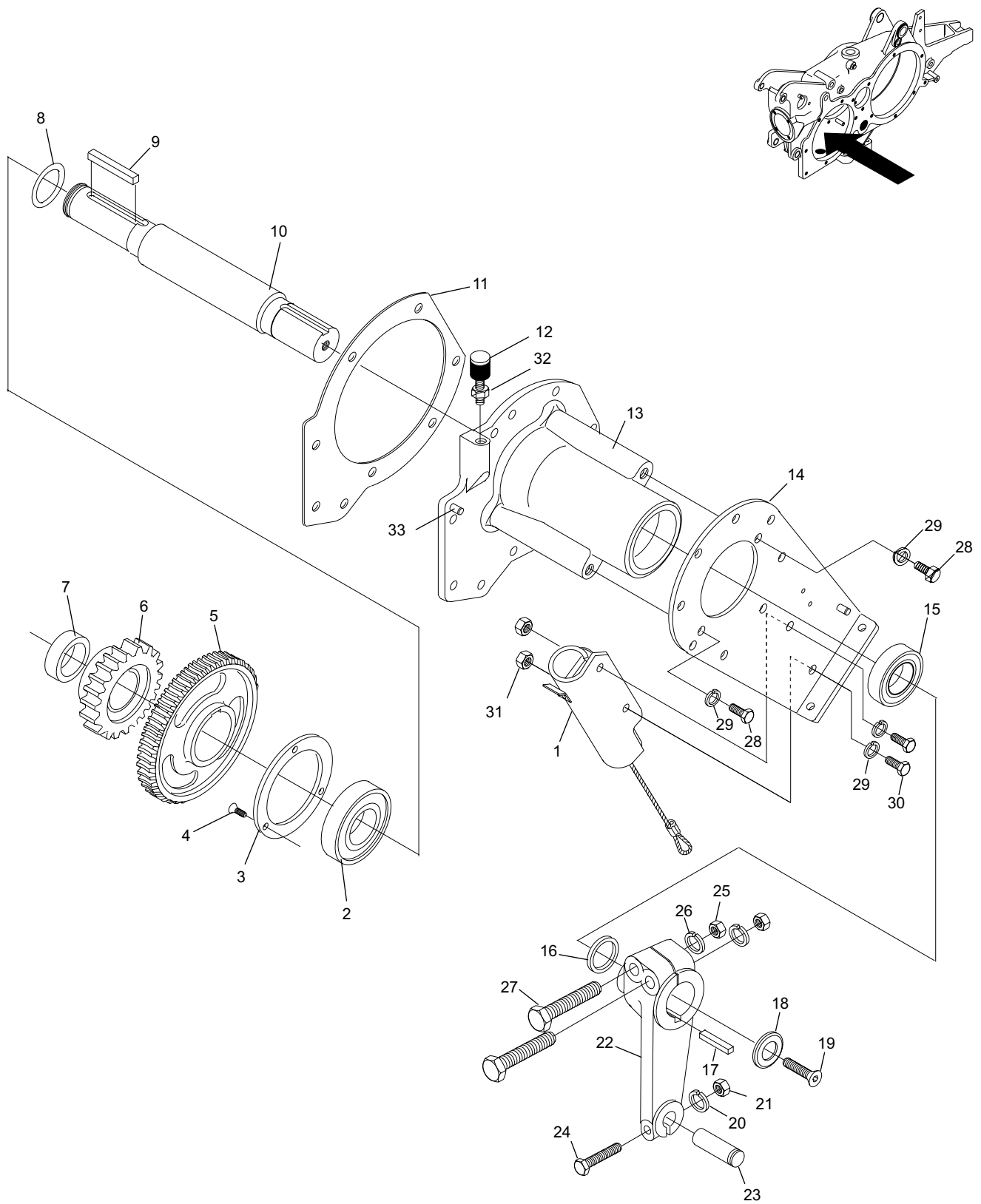
N.A. = *No longer Available*



Gear Box Cover Assembly

Index

No.	Part No.	Description
1.	12-100281-000	Cable & Tube Assembly
2.	11-430002-000	Ball Bearing
3.	12-102165-000	Bearing Retainer
4.	11-008088-001	Flat Head Socket Cap Screw (10-24 x 3/4")
5.	12-100174-002	Worm Sheel (60:1)
6.	12-100151-000	Spur Gear
7.	12-100185-007	Spacer
8.	12-100317-000	O-Ring
9.	12-100187-002	Square Key
10.	12-102162-000	Crank Shaft
11.	12-102166-002	Shim (.005), blue
	12-102166-003	Shim (.010), brown
	12-102166-004	Shim (.020), yellow
12.	12-102373-000	Bumper Button
13.	12-102161-000	Rake Crank Housing
14.	12-102163-000	Support Plate
15.	11-430045-000	Ball Bearing
16.	12-102167-000	Spacer
17.	12-100187-003	Square Key
18.	12-100065-002	Washer
19.	11-007344-000	Flat Head Socket Cap Screw (3/8-16 x 1")
20.	11-195016-001	Lockwasher (3/8)
21.	11-125104-001	Hex Nut (3/8-16)
22.	12-100134-000	Crank
23.	12-100141-002	X-Washer Pin
24.	11-001352-001	Hex Head Socket Cap Screw (3/8-16 x 2")
25.	11-125108-001	Hex Nut (1/2-13)
26.	11-195018-001	Lockwasher (1/2)
27.	11-001515-000	Hex Head Socket Cap Screw (1/2-13 x 2-3/4")
28.	11-001264-001	Hex Head Cap Screw (5/16-18 x 1")
29.	11-195015-001	Lockwasher (5/16)
30.	11-001262-001	Hex Head Cap Screw (5/16-18 x 3/4")
31.	11-125102-001	Hex Nut (5/16-18)
32.	11-125200-001	Hex Jam Nut (1/4-20)
33.	12-100169-008	Pin



Gear Box 4:1 Assembly

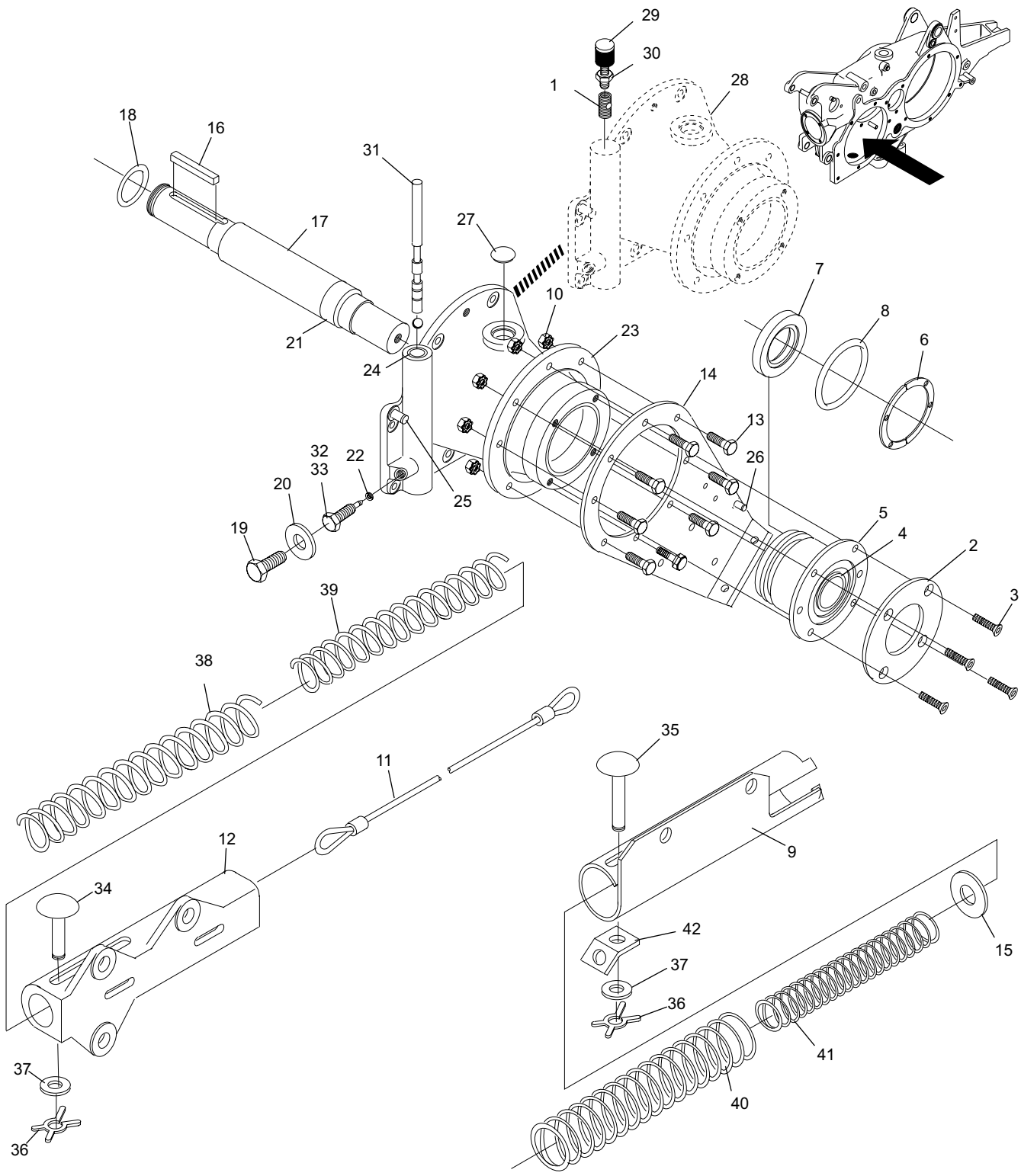
Index

No.	Part No.	Description
1.	12-102159-000	Bumper Adapter
2.	N.A.	Bearing Cap
3.	11-007264-001	Flat Head Socket Cap Screw (5/16-18 x 1")
4.	11-432001-000	Ball Bearing
5.	N.A.	Bearing Housing
6.	12-100059-002	Shim (.030), coral
	12-100059-003	Shim (.020), yellow
	12-100059-004	Shim (.010), brown
	12-100059-005	Shim (.002), red
7.	11-625002-000	Oil Seal
8.	12-100295-000	O-Ring
9.	12-100281-000	Cable & Tube Assembly
	12-100479-000	Spring Tube
10.	11-176001-001	Keps Nut (5/16-18)
	11-125102-000	Hex Nut (5/16-18)
	11-195015-001	Lockwasher (5/16)
11.	12-100280-000	Moving Deck Cable Assembly
12.	N.A.	Spring Tube, See Note
13.	11-001262-000	Hex Head Cap Screw (5/16-18 x 3/4")
14.	12-100165-000	Support Plate Assembly
15.	11-191016-001	Flat Washer (7/16)
16.	12-100187-002	Square Key
17.	12-100420-000	Shaft & Spacer
18.	12-100317-000	O-Ring
19.	11-001376-001	Hex Head Cap Screw (3/8-24 x 3/8")
20.	12-100344-003	Gasket
21.	12-100384-000	Spacer
22.	11-625538-000	O-Ring
23.	N.A.	Housing & Sleeve Assembly
24.	12-100231-000	Sleeve
25.	12-100169-008	Pin
26.	12-100115-002	Spring Pin
27.	11-251000-000	Expansion Plug (1-1/8)
28.	N.A.	Rake Crank Housing, only
29.	12-102373-000	Bumper Button
30.	11-125200-001	Hex Jam Nut (1/4-20)
31.	12-100093-000	Plunger
32.	N.A.	Time Delay Stem (3/8-24)
33.	N.A.	Time Delay Stem (7/16-20)
34.	12-100078-000	Actuator Pin Switch
35.	12-100483-000	Switch Actuator Pin
36.	11-230001-001	X-Washer (1/8)
37.	11-190010-001	Flat Washer (1/4)
38.	12-100352-000	Spring
39.	12-100351-000	Spring
40.	12-100482-000	Compression Spring
41.	12-100481-000	Compression Spring
42.	12-100875-000	Clip

N.A. = No Longer Available

NOTE: When replacing Spring Tube, order (1) 12-100479-000,
(1) 12-100481-000, (1) 12-100482-000,
(1) 12-100483-000, and (1) 12-100478-000.

Gear Box Cover Assembly

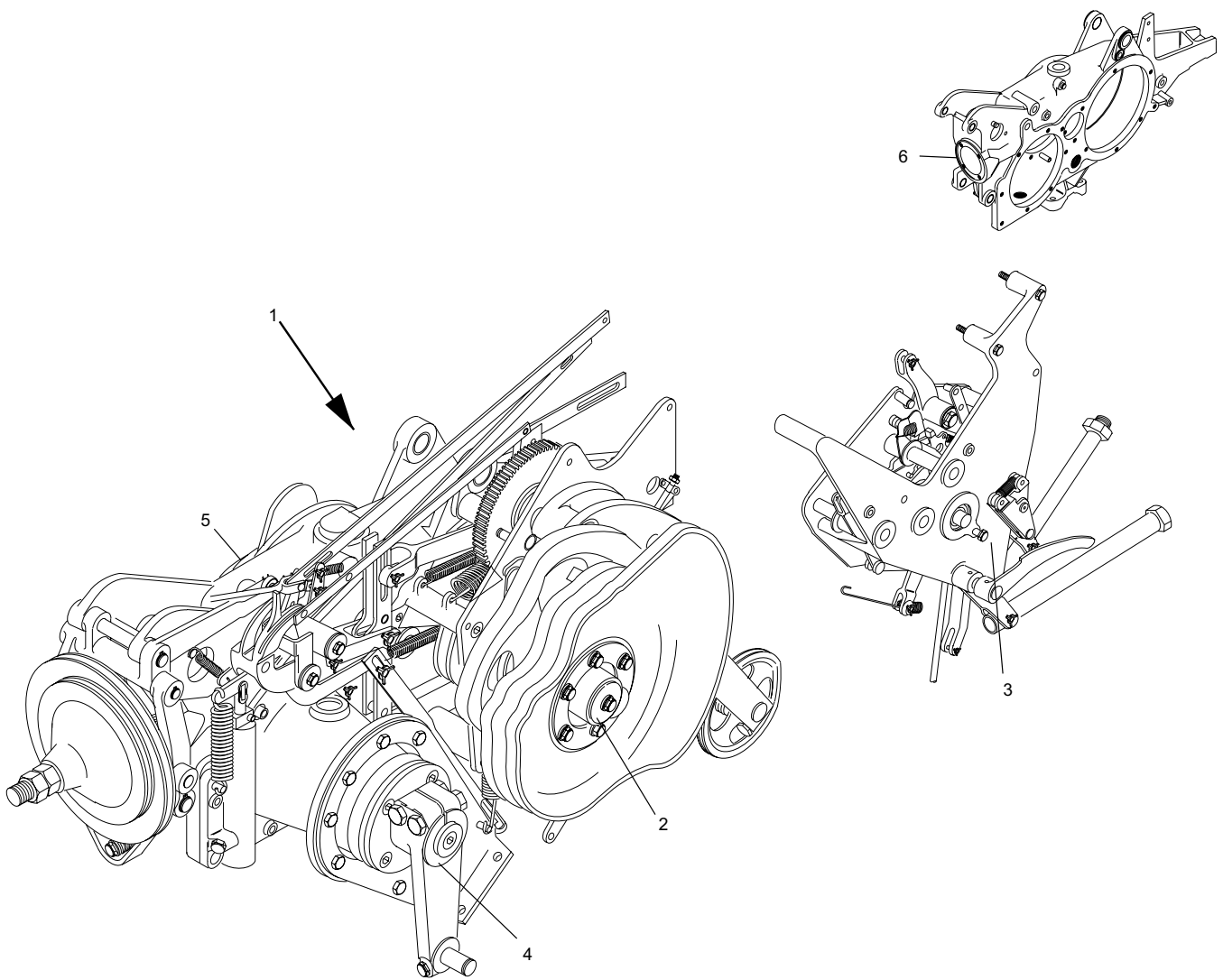


Gear Box Cover Assembly

Index No.	Part No.	Description
1.	N.A.	Pkg. A-2 Gear Box Shipping Assembly Rebuilt
	N.A.	Pkg. Gear Box Assembly - Rebuilt Model A
2.	N.A.	Gear Box Cover Assembly
	12-860065-000	Gear Box Cover Assembly
3.	N.A.	Detector Assembly
	N.A.	Detector Assembly & Hardware (1 Pkg.)
	N.A.	Detector Assembly, rebuilt for Model A
4.	12-862863-003	Rake Crank Assembly
	N.A.	Rebuilt Rake Crank Housing
5.	12-862064-000	Guard Assembly - Double Outside
	12-860064-000	Deck Lift Crank Eccentric Assembly & Hardware
	N.A.	Rebuilt 2:1 "A"
6.	12-102184-000	Gear Box Housing Assembly

N.A. = No Longer Available

Gear Box/Detector Assembly



Gear Box/Detector Assembly

Section B

Detector

Index

No.	Part No.	Description
1.	12-100350-000	Link
2.	12-102108-000	Deck Hook Selector Assembly
3.	12-100355-000	Spacer
4.	11-436000-000	Ball Bearing
5.	12-100166-026	X-Washer Pin
6.	12-100185-012	Spacer
7.	12-100157-000	Spring
8.	12-100395-000	Detector Latch Assembly, See Note 2
9.	11-421009-000	Bearing (.3765 I.D. X .502 O.D.)
10.	11-420006-000	Bearing (.3765 I.D. X .503 O.D.)
11.	11-420064-000	Bearing (.3765 I.D. X .503 O.D.)
12.	12-100170-009	Washer
13.	11-422009-000	Bearing (.510 I.D. X 1.000 O.D.)
14.	12-100398-000	Detector Lever Assembly
15.	11-420032-000	Bearing (.3765 I.D. X .503 O.D.)
16.	12-100170-008	Washer
17.	12-100004-002	Shaft
18.	N.A.	B-Shaft Assembly (See page 6B & 12B for breakdown)
19.	12-100166-011	X-Washer Pin
20.	12-100189-000	"D" Shaft Assembly, See page 16B
21.	12-100155-000	Shoe
22.	11-360462-000	Spirol Pin (3/16 x 7/8")
23.	N.A.	C-Shaft Assembly (See page 14B for breakdown)
24.	12-100205-000	Detector Mounting Assembly
25.	11-421014-000	Bearing (.502 I.D. X .627 O.D.)
26.	11-436002-000	Stud Bearing (.186 I.D. X .500 O.D.)
27.	11-230000-001	X-Washer (3/32)
28.	11-230001-001	X-Washer (1/8)
29.	11-361315-000	Spirol Pin (3/16 x 1-3/8")
30.	12-100116-000	Shaft
31.	12-100004-004	Shaft
32.	12-102398-000	Detector Lever Assembly, for machines 90000 up
33.	11-360260-000	Spirol Pin (3/32 x 3/4")

N.A. = No Longer Available

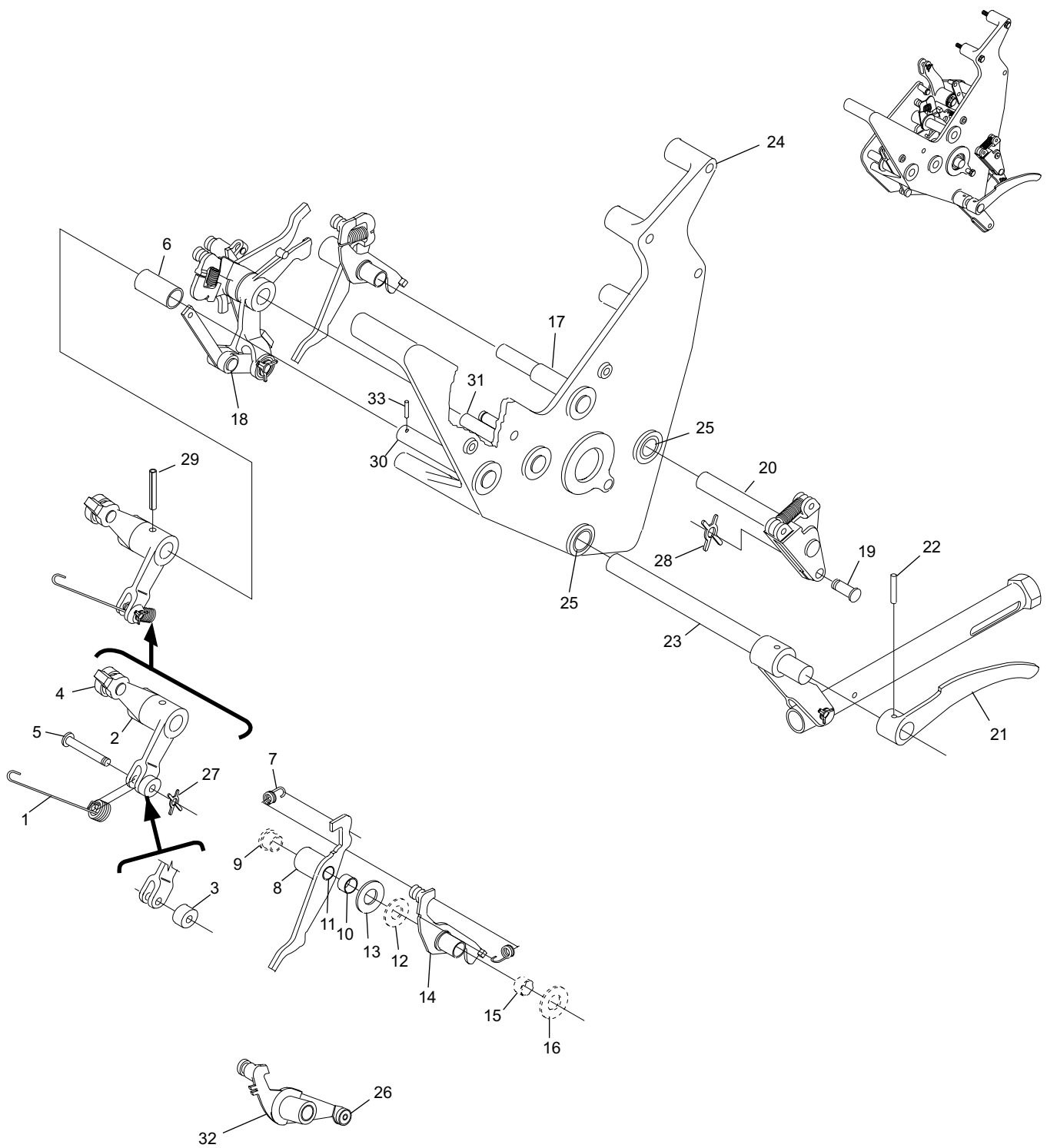
NOTE 1: When ordering Link 12-100350-000 for machines prior to S/N 5397, Spacer 12-100355-000 and X-Washer Pin 12-100166-026 must also be ordered.

NOTE 2: When ordering Detector Latch 12-100395-00 for machines prior to S/N 23001, also order 11-422009-000 Bearing.

NOTE 3: For machines below S/N 27001, also order 12-100004-002.

NOTE 4: For machines below S/N 27001, also order 12-100398-000.

Detector Assembly

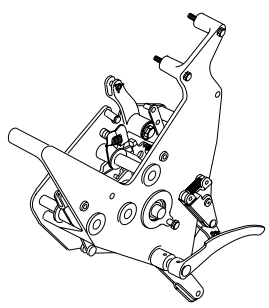
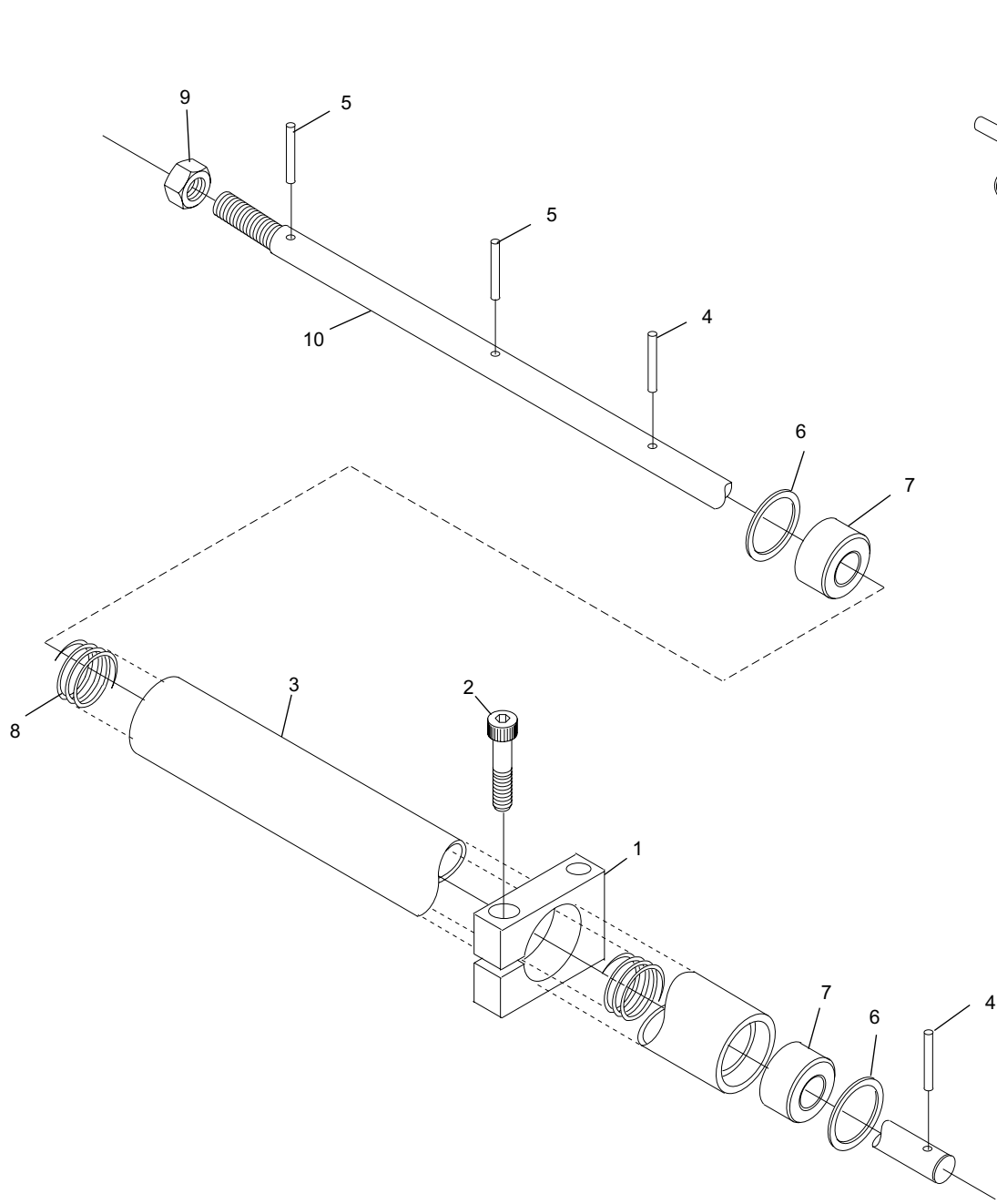


Detector Assembly

Index No.	Part No.	Description
	1.	12-100052-000 Pivot Block
2.	11-005093-001	Hex Head Socket Cap Screw (10-24 x 7/8")
3.	12-100079-000	Guide
4.	11-360257-000	Spirol Pin (3/32 x 9/16")
5.	11-360258-001	Spirol Pin (3/32 x 5/8")
6.	12-100196-000	Retaining Ring
7.	12-100139-006	Bearing
8.	12-100167-000	Spring
9.	11-125201-001	Hex Jam Nut (1/4-28)
10.	12-100017-000	Detector Rod

NOTE: To purchase a detector rod assembled complete, order part no. 12-100261-000.

Detector Rod Assembly



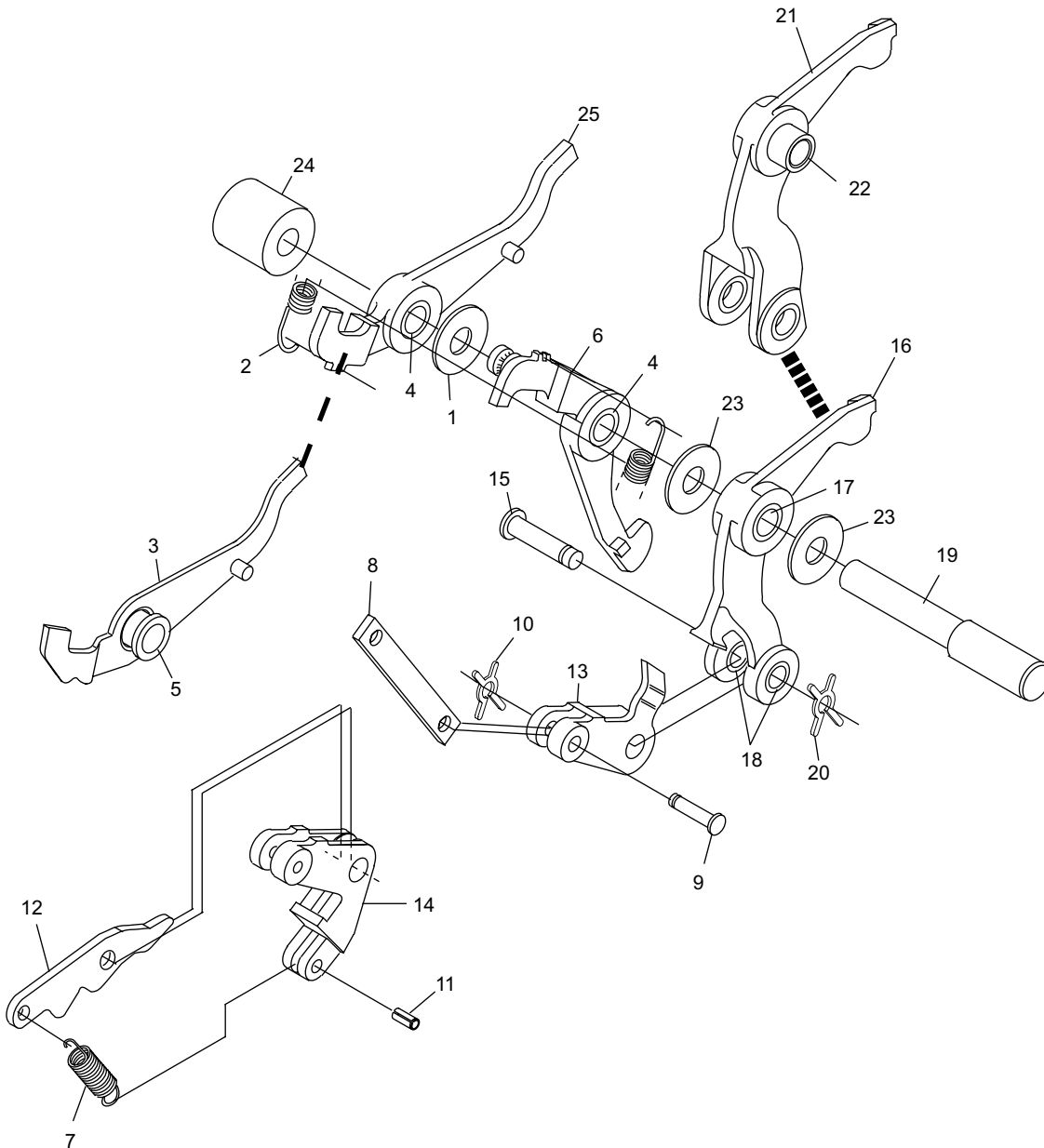
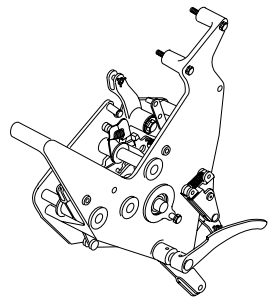
Detector Rod Assembly

Index

No.	Part No.	Description
1.	12-100170-009	Washer
2.	12-100157-000	Spring
3.	12-100404-000	Detector Latch Assembly
4.	11-420006-000	Bearing (.3765 I.D. X .503 O.D.)
5.	11-421062-000	Bearing (.3765 I.D. X .503 O.D.)
6.	12-100400-000	Detector Latch Assembly
7.	12-100118-000	Spring
8.	12-100113-000	Link
9.	12-100166-024	X-Washer Pin
10.	11-230000-001	X-Washer (3/32)
11.	11-345304-000	Roll Pin (3/16 x 1/2")
12.	N.A.	Latch Finger
13.	12-100382-000	Latch
14.	N.A.	Latch
15.	12-100166-029	Pin
16.	N.A.	Detector Lever Assembly-See Note 1
17.	11-420053-000	Bearing (.3765 I.D. X .5025 O.D.)
18.	11-420068-000	Bearing (.316 I.D. X .440 O.D.)
19.	12-100004-002	Shaft
20.	11-230002-001	"X" Washer (5/32)
21.	12-100406-000	Detector Lever Assembly
22.	12-100405-000	Flanged Bronze Bearing
23.	12-100170-008	Washer
24.	12-100185-018	Spacer
25.	N.A.	Detector Latch Assembly - Casting

N.A.= No Longer Available

NOTE 1:When replacing Lever Assembly in machines prior to S/N 23001, order 12-100406-000 (index 21); also replace the Roll Pin with X- Washer Pin 12-100166-029 and X- Washer 11-230002-001; and replace 12-100004-002 Shaft with 12-100004-004 Shaft



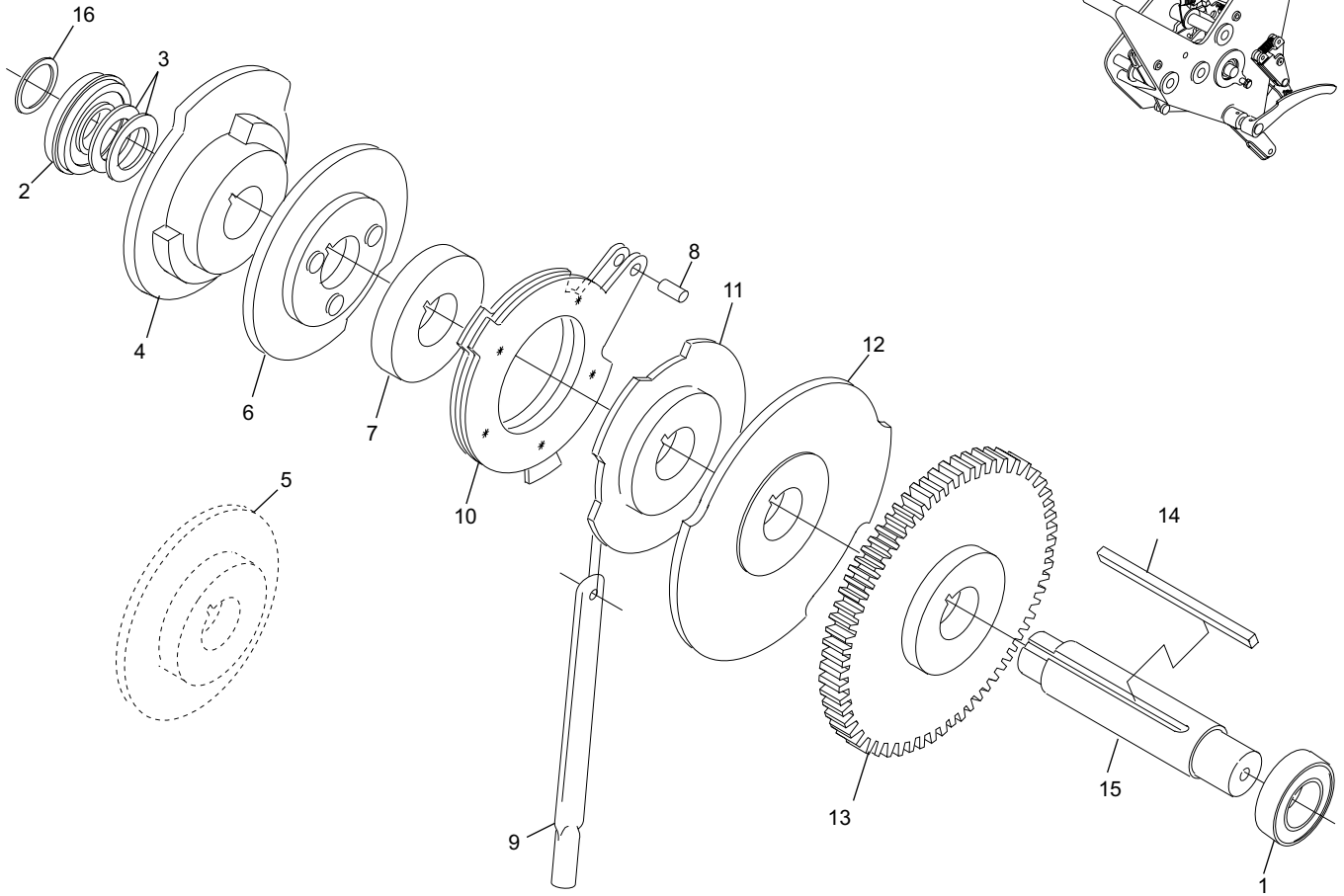
**Detector "B" Shaft Assembly
(for machines prior to 90,000)**

Index

No.	Part No.	Description
1.	11-431002-000	Ball Bearing
2.	11-431003-000	Ball Bearing
3.	10-191550-000	Washer
4.	12-100037-000	Cam
5.	N.A.	Cam
6.	12-100501-000	Cam
7.	12-100502-000	Spacer
8.	11-345302-001	Roll Pin (3/16 x 3/8")
9.	N.A.	Detector Rod End
10.	12-100016-000	Detector Disc, for machines prior to 90,000
	12-102380-000	Detector Disc, for machines 90,000 and up
11.	12-100111-000	Cam
12.	12-100112-000	Cam
13.	12-100198-000	Detector Gear
14.	12-100187-011	Square Key
15.	12-100070-000	Detector Shaft
16.	12-100416-002	Shim

N.A.= No Longer Available

Detector Main Shaft Assembly



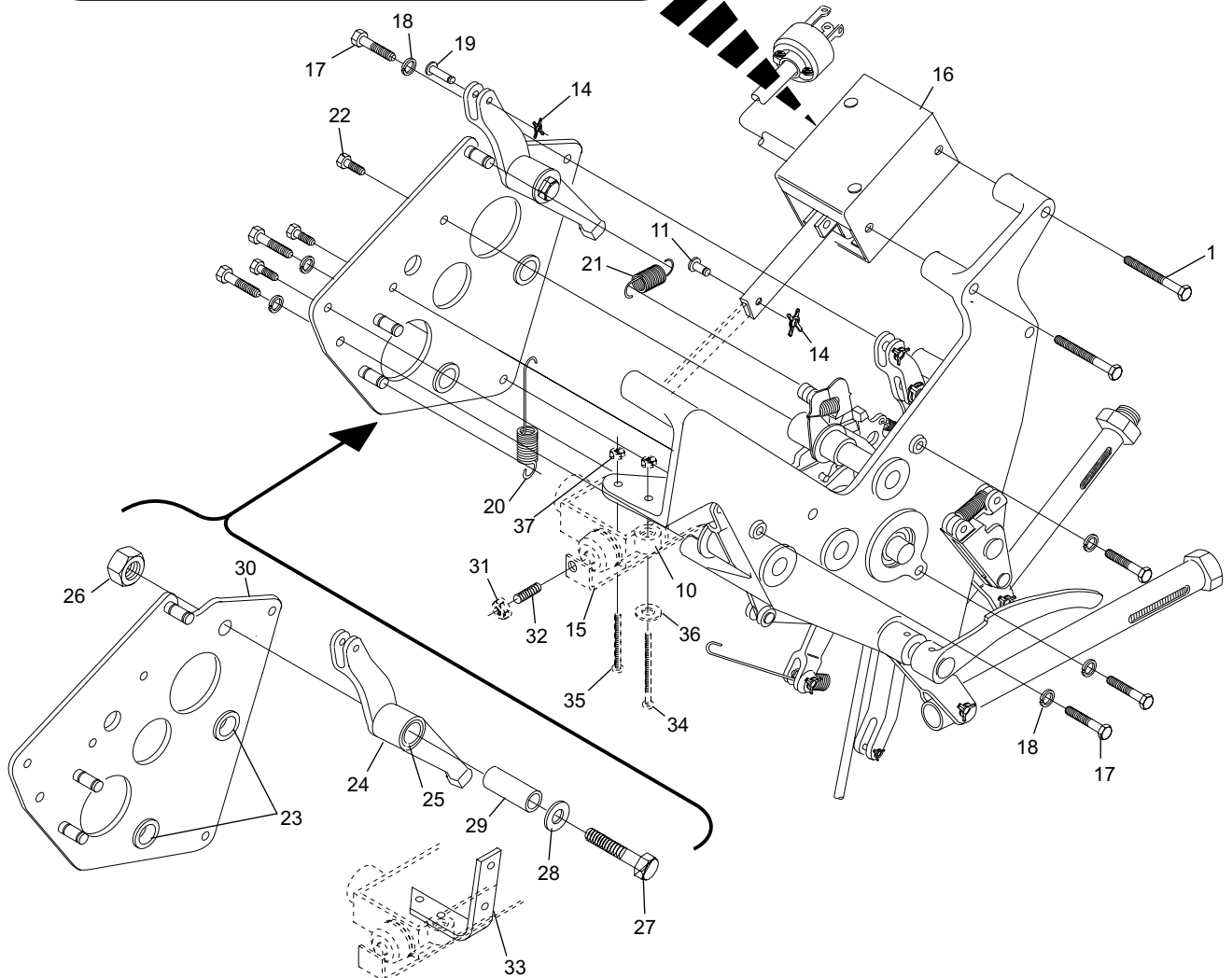
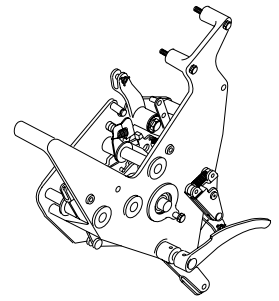
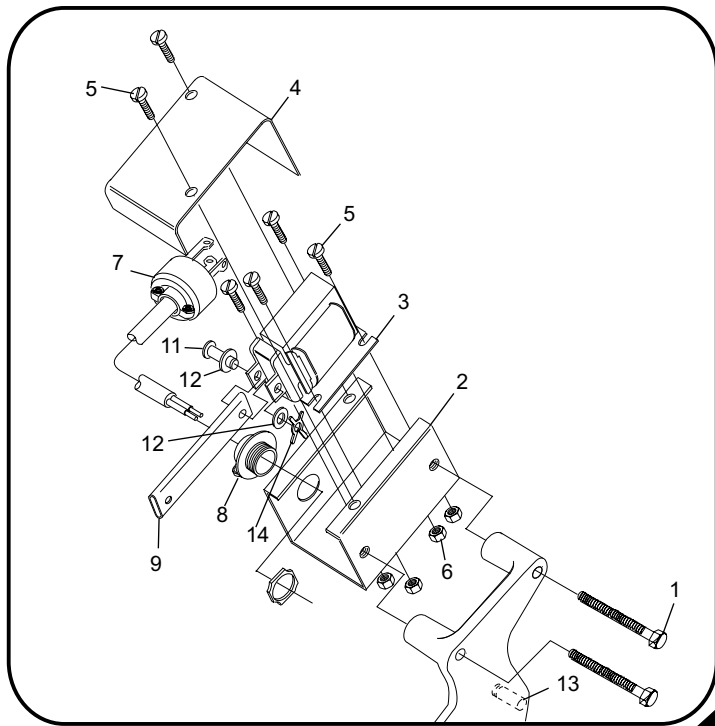
Detector Main Shaft Assembly

Index

No.	Part No.	Description
1.	11-017177-001	Round Head Cross Res. W/ Ext. Tooth Lockwasher (10-24 x 2")
2.	N.A.	Solenoid Box
3.	12-100022-000	Solenoid (110 Volt)
4.	12-100277-000	Solenoid Box Cover
5.	11-017163-001	Round Head Cross Res. W/ Ext. Tooth Lockwasher (10-24 x 1/2")
6.	11-170005-001	Hex Nut Nylock (#10-24)
7.	11-678001-000	Electrical Cap (230 Volt)
8.	11-602101-000	Cord Grip
9.	N.A.	Link, use 12-100363-000 Link
10.	N.A.	Spacer, for machines prior to S/N 1593
11.	12-100166-022	X-Washer Pin
12.	11-190006-001	Flat Washer - SAE (#10)
13.	12-100169-003	Pin
14.	11-230000-001	X-Washer (3/32)
15.	N.A.	Stop, for machines prior to S/N 1593
16.	N.A.	Solenoid Assembly - See Insert Box
17.	11-002004-001	Hex Head Cap Screw (1/4-20 x 1")
18.	11-195014-001	Lockwasher (1/4)
19.	12-100166-006	X-Washer Pin (7/8 x .187)
20.	12-100015-000	Tension Spring
21.	12-100084-000	Tension Spring
22.	11-015165-001	Hex Head Socket Cap Screw (10-24 x 5/8")
23.	11-421015-000	Flanged Oilite Bearing
24.	N.A.	Deck Hook Latch Assembly
25.	11-421011-000	Bearing (.502 I.D. X .627 O.D.)
26.	11-125202-001	Hex Jam Nut (5/16-18)
27.	11-015377-001	Hex Head Bolt and Lockwasher Assembly
28.	11-190012-001	Flat Washer - SAE (5/16)
29.	12-100185-008	Spacer
30.	12-100314-000	Detector Mounting Plate Assembly
31.	11-125005-001	Hex Nut (#10-32)
32.	11-100588-000	Headless Socket Set Screw
33.	N.A.	Bracket, for machines prior to S/N 1593
34.	11-107036-000	Round Head Machine Screw, for machines prior to S/N 1593
35.	11-107033-001	Round Head Machine Screw, for machines prior to S/N 1593
36.	N.A.	Washer, for machines prior to S/N 1593
37.	11-170002-001	Hex Nylock Nut (6-32)

N.A. = No Longer Availabe

Detector Assembly
(for machines prior to 90,000)

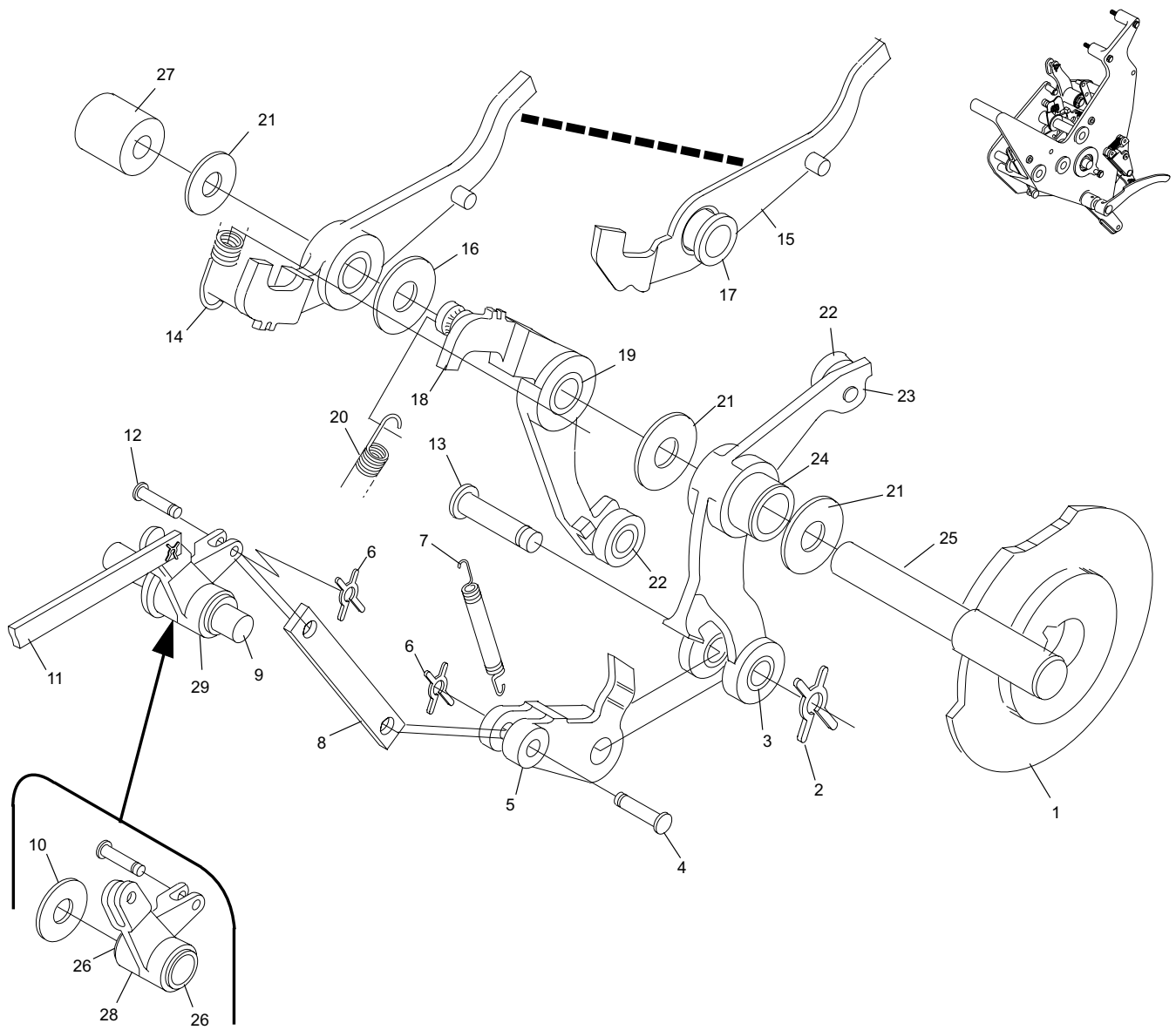


Detector Assembly
(for machines prior to 90,000)

Index

No.	Part No.	Description
1.	12-100111-000	Cam
2.	11-230002-001	"X" Washer (5/32)
3.	11-420068-000	Bearing (.316 I.D. X .440 O.D.)
4.	12-100166-024	X-Washer Pin
5.	12-100382-000	Latch
6.	11-230000-001	X-Washer (3/32)
7.	12-100121-000	Tension Spring
8.	12-100113-000	Link
9.	12-100116-000	Shaft
10.	12-100338-003	Spacer
11.	12-100337-000	Out-of-Range Link Assembly
12.	12-100166-004	X-Washer Pin
13.	12-100166-029	Pin
14.	12-100157-0	00 Spring
15.	12-100404-000	Detector Latch Assembly
16.	12-100170-009	Washer
17.	11-421062-000	Bearing (.3765 I.D. X .503 O.D.)
18.	12-100400-000	Detector Latch Assembly, See Note
	12-102400-000	Detector Lever Assembly
19.	11-420006-000	Bearing (.3765 I.D. X .503 O.D.)
20.	12-100118-000	Spring
21.	12-100170-008	Washer
22.	11-436002-000	Stud Bearing (.186 I.D. X .500 O.D.)
23.	12-102406-000	Detector Lever Assembly
24.	11-420053-000	Bearing (.3765 I.D. X .5025 O.D.)
	12-100405-000	Flanged Bronze Bearing
25.	12-100004-004	Shaft
26.	11-421032-000	Bearing (.502 I.D. X .627 O.D.)
27.	12-100185-018	Spacer
28.	12-100262-000	Intermediate Lever Assembly

NOTE: For S/N 90000 + Up, order 12-102400-000

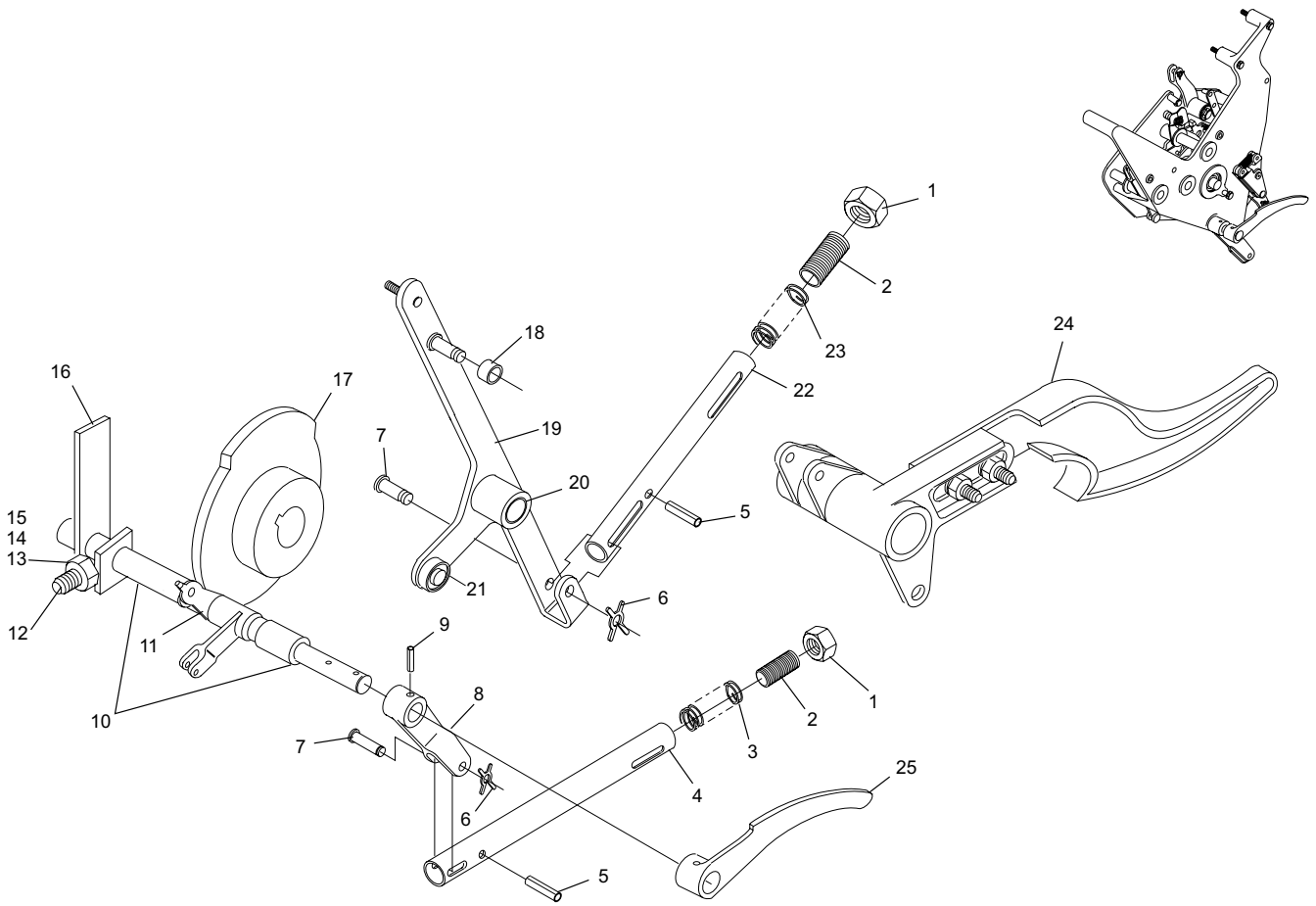


**Detector "B" Shaft Assembly
(for machines prior to 90,000)**

Index

No.	Part No.	Description
1.	11-125213-001	Hex Jam Nut (5/8-18)
2.	11-100915-001	Headless Socket Set Screw (5/8-18 x 1-1/2")
3.	12-100087-000	Spring
4.	12-100057-000	Deck Hook Link
5.	11-360460-000	Spiral Pin (3/16 x 3/4")
6.	11-230001-001	X-Washer (1/8)
7.	12-100166-014	Pin
8.	12-100019-000	Lever
9.	11-345312-000	Roll Pin (3/16 x 1")
10.	12-100014-000	Shaft
11.	12-102108-000	Deck Hook Selector Assembly
12.	11-001186-001	Hex Head Bolt (1/4-20 x 1-1/4")
13.	11-125100-001	Hex Nut (1/4-20)
14.	11-195014-001	Lockwasher (1/4)
15.	11-190010-001	Flat Washer (1/4)
16.	12-100224-000	Lever
17.	12-100037-000	Cam
18.	12-100185-019	Spacer
19.	12-100410-000	Hook Selector
20.	11-420065-000	Bearing (.5025 I.D. X .753 O.D.)
	11-420062-000	Bearing (.503 I.D. X .628 O.D.)
21.	12-100170-018	Washer
	11-436000-000	Ball Bearing
22.	12-100054-000	Deck Hook Link
23.	12-100089-000	Compression Spring
24.	12-350802-600	Advanced Performance Deck Holding Assembly
	12-350802-000	Deck Hook Assembly
	12-350803-600	Advanced Performance Deck Holding Hook
	12-350803-000	Deck Hook
	12-350804-000	Deck Hook Hub
	12-350804-600	Advanced Performance Deck Hook Hub
25.	12-100155-000	Shoe

Detector Assembly



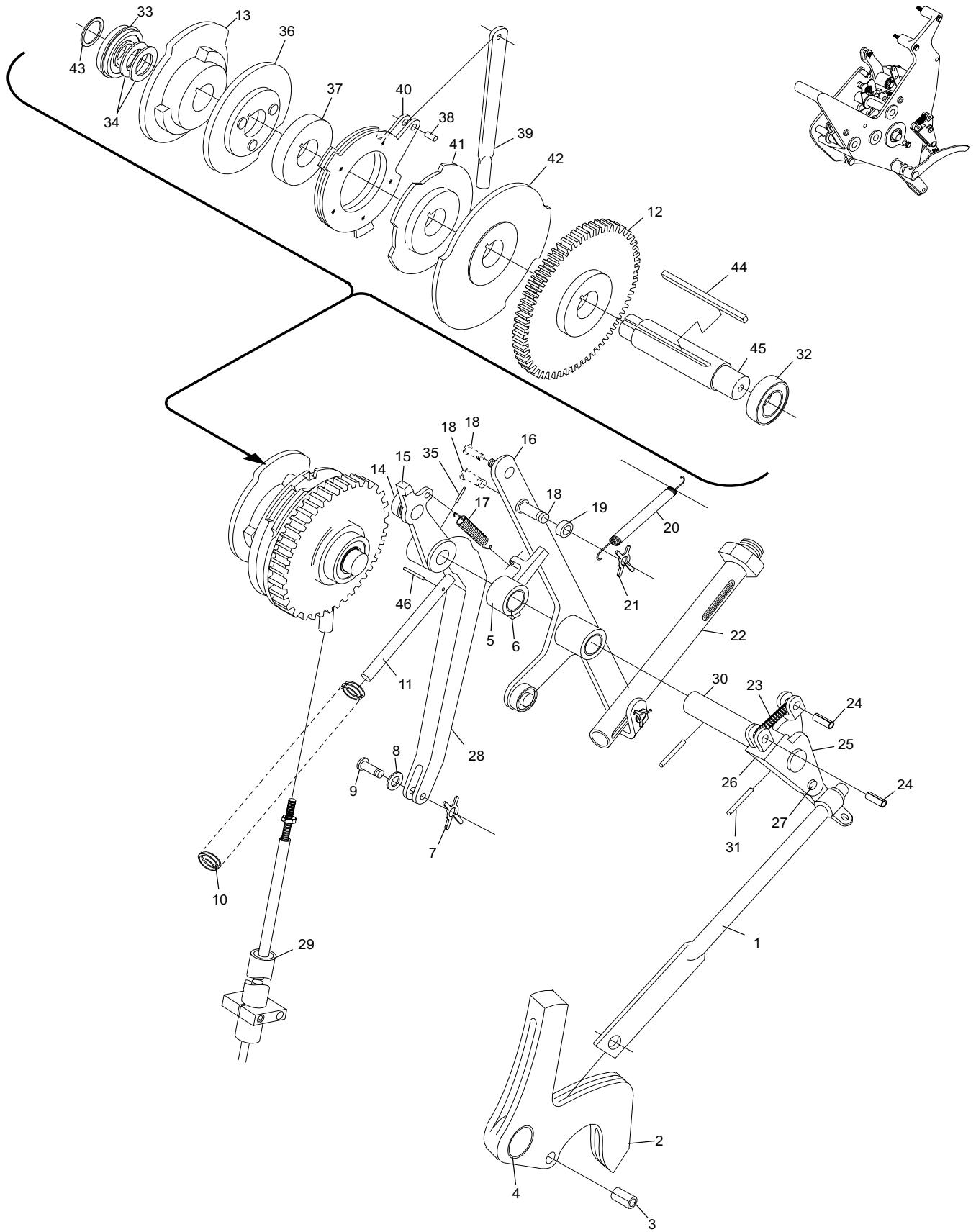
Detector Assembly

Index

No.	Part No.	Description
1.	12-100353-000	Link
2.	12-100238-051	Latch & Bearing Assembly
3.	11-345404-000	Roll Pin (1/4 x 1/2")
4.	11-420018-000	Sleeve Oilite Bearing
5.	12-100183-000	Deck Hook Latch Assembly
6.	11-420041-000	Bearing (.504 I.D. X .628 O.D.)
7.	11-230000-001	X-Washer (3/32)
8.	11-190006-001	Flat Washer - SAE (#10)
9.	12-100166-006	X-Washer Pin (7/8 x .187)
	12-100166-008	X- Washer Pin
10.	12-100082-000	Spring
11.	12-100077-000	Spring Guide
12.	12-100198-000	Detector Gear
13.	12-100037-000	Cam
14.	11-436000-000	Ball Bearing
15.	12-100189-000	"D" Shaft Assembly
16.	12-100410-000	Hook Selector
17.	12-100083-000	Tension Spring
18.	12-100166-004	X-Washer Pin
	12-100166-013	Pin
19.	12-100185-019	Spacer
20.	12-100156-000	Tension Spring
21.	11-230001-001	X-Washer (1/8)
22.	12-100057-000	Deck Hook Link
23.	12-100086-000	Tension Spring
24.	11-345304-000	Roll Pin (3/16 x 1/2")
25.	12-100175-000	Latch
26.	12-100097-000	Deck & Scissor Latch
27.	12-100166-011	X-Washer Pin
28.	12-100129-000	Scissor Cam Lever
29.	12-100261-000	Detector Rod Assembly
30.	12-100188-000	Shaft
31.	11-360264-000	Spiral Pin (3/32 x 1")
32.	11-431002-000	Ball Bearing
33.	11-431003-000	Ball Bearing
34.	10-191550-000	Washer
35.	11-360465-000	Spirol Pin (3/16 x 1-1/8")
36.	12-100501-000	Cam
37.	12-100502-000	Spacer
38.	11-345302-001	Roll Pin (3/16 x 3/8")
39.	N.A.	Detector Rod End
40.	12-100016-000	Detector Disc
	12-102380-000	Detector Disc
41.	12-100111-000	Cam
42.	12-100112-000	Cam
43.	12-100416-002	Shim, as required
44.	12-100187-011	Square Key
45.	12-100070-000	Detector Shaft
46.	11-360364-000	Spiral Pin (1/8 x 1")

N.A. = No Longer Available

Detector Main Shaft Assembly



Detector Main Shaft Assembly

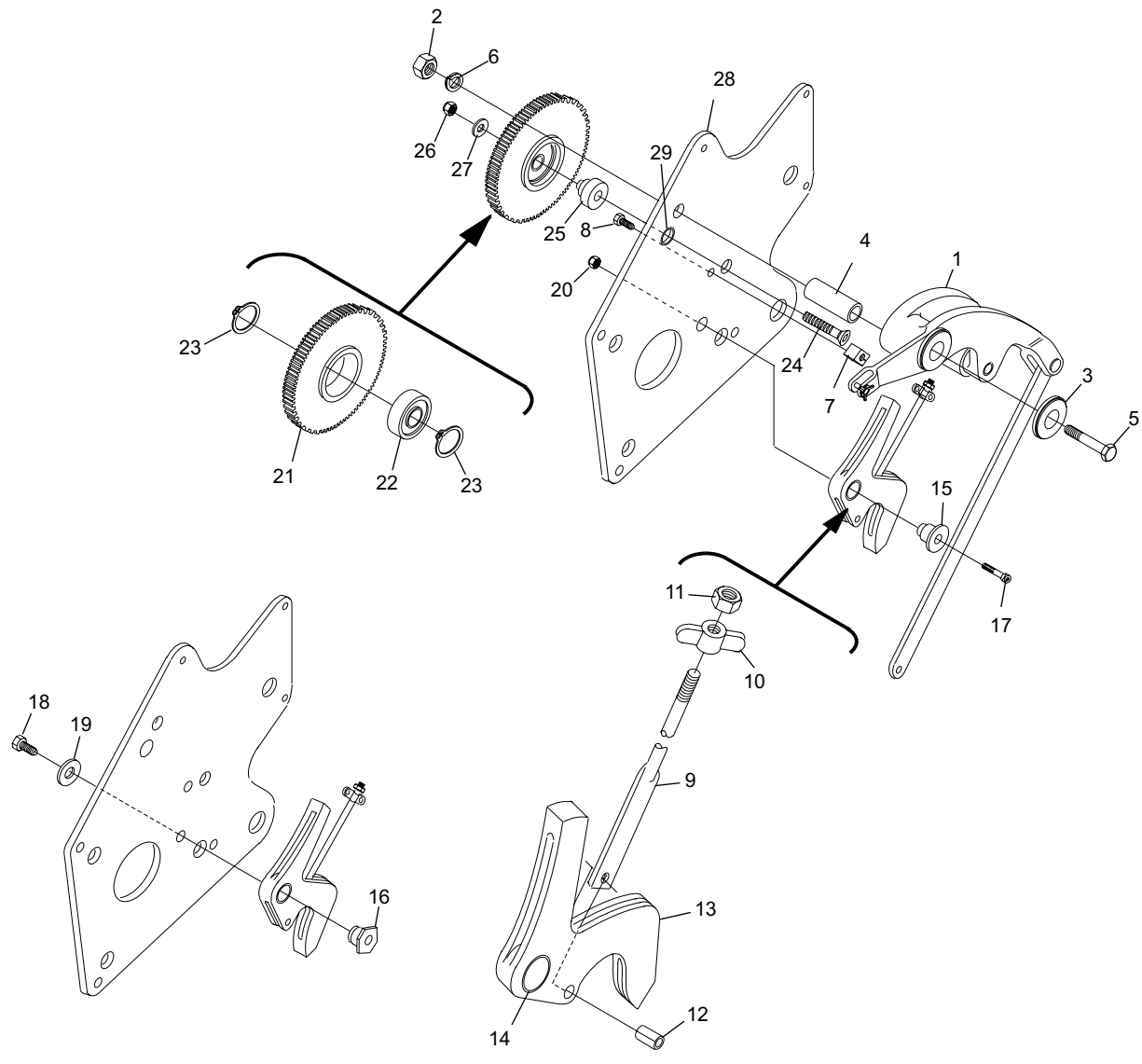
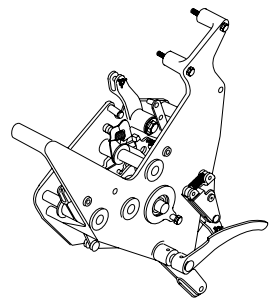
Index

No.	Part No.	Description
1.	12-100365-000	Scissor
2.	11-125108-001	Hex Nut (1/2-13)
3.	12-100170-007	Washer
4.	12-100046-003	Spacer
5.	11-001517-001	Hex Head Socket Cap Screw (1/2-13 x 3-1/4")
6.	11-195018-001	Lockwasher (1/2)
7.	12-100051-000	Stop
8.	11-015367-001	Hex Head Socket Cap Screw (5/16-18 x 3/4")
9.	12-100353-000	Link
10.	12-100354-000	Adjusting Block
11.	11-125203-001	Hex Jam Nut (5/16-24)
12.	11-345404-000	Roll Pin (1/4 x 1/2")
13.	12-100238-051	Latch & Bearing Assembly
14.	11-420018-000	Sleeve Oilite Bearing
15.	12-100488-000	Latch Stud
16.	N.A.	Hex Head Latch Stud-See Note 1
17.	11-005263-001	Hex Head Socket Cap Screw (5/16-18 x 7/8")
18.	11-001262-000	Hex Head Cap Screw (5/16-18 x 3/4")
19.	11-190012-001	Flat Washer - SAE (5/16)
20.	11-170009-001	Hex Nut Nylock (5/16-18)
21.	12-100233-000	Idler Gear
22.	11-430012-000	Bearing, single (.4724 ID X 1.2598 OD)
23.	11-531008-000	Inverted Internal Retaining Ring
24.	11-007190-001	Flat Head Socket Cap Screw (1/4-20 x 1-3/4")
25.	12-100080-000	Stud
26.	11-170007-001	Hex Nut Nylock (1/4-20")
27.	11-190010-001	Flat Washer (1/4)
28.	12-100207-000	Mounting Plate
29.	11-421015-000	Flanged Oilite Bearing

N.A. = No Longer Available

NOTE 1: The Hex Head Latch Stud is no longer available. Order 12-100488-000, 11-005263-000 and 11-170009-000.

Mounting Plate Assembly



Mounting Plate Assembly

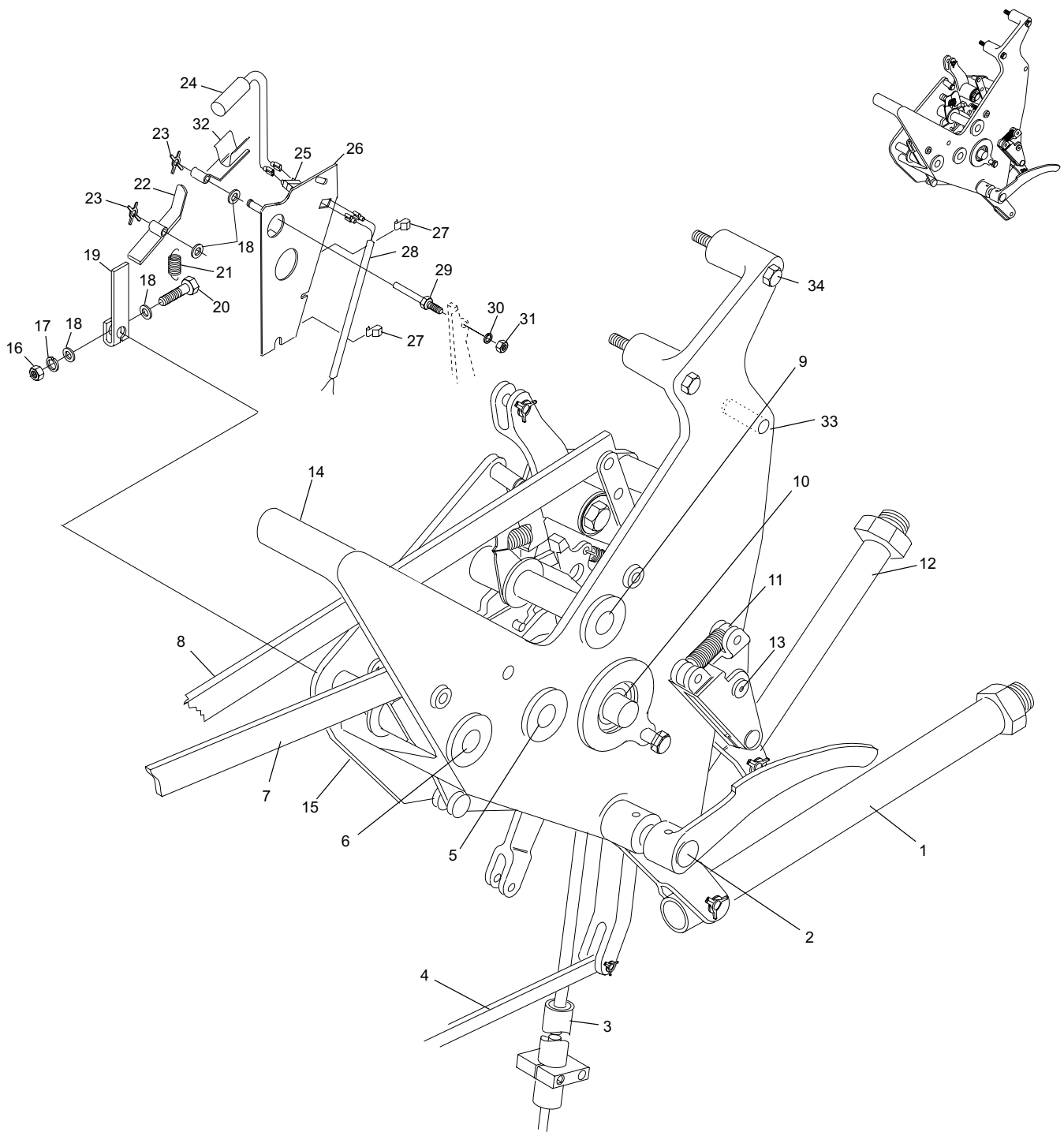
Index

No.	Part No.	Description
1.	12-100057-000	Deck Hook Link
2.	12-100014-000	Shaft
3.	12-100261-000	Detector Rod Assembly
4.	12-100903-000	Pin Detector Link
5.	12-100004-004	Shaft, See Note
6.	12-100116-000	Shaft
7.	12-100337-000	Out-of-Range Link Assembly
8.	12-100040-004	Link
9.	12-100004-002	Shaft
10.	12-100070-000	Detector Shaft
11.	12-100097-000	Deck & Scissor Latch
12.	12-100054-000	Deck Hook Link
13.	12-100189-000	"D" Shaft Assembly
14.	12-100205-000	Mounting
15.	N.A.	Detector Mounting Plate Assembly
16.	11-125100-001	Hex Nut (1/4-20)
17.	11-195014-001	Lockwasher (1/4)
18.	11-190010-001	Flat Washer (1/4)
19.	12-100224-000	Lever
20.	11-001186-001	Hex Head Bolt (1/4-20 x 1-1/4")
21.	12-450051-000	Tension Spring
22.	12-750337-000	Latch Assembly
23.	11-230001-001	X-Washer (1/8)
24.	12-750362-000	Switch
25.	11-609202-000	Tie Down Rubber (35" Long)
	11-613510-000	Terminal Tab
26.	N.A.	Switch Plate Assembly
27.	12-750369-000	Clip
28.	N.A.	Strike Switch Harness
29.	12-750339-000	Pin
30.	11-196006-001	Hi-Collar Lockwasher (#8)
31.	11-125003-001	Hex Nut (#8-32)
32.	12-750344-000	Pivot Assembly
33.	12-100169-003	Pin
34.	11-017177-001	Round Head Cross Res. W/ Ext. Tooth Lockwasher (10-24 x 2")

N.A.= No Longer Available

NOTE: For machines below S/N 27000, also order 12-100398-000 Standing Pin Controller.

Detector Assembly



Detector Assembly

Section C

Turret

Index

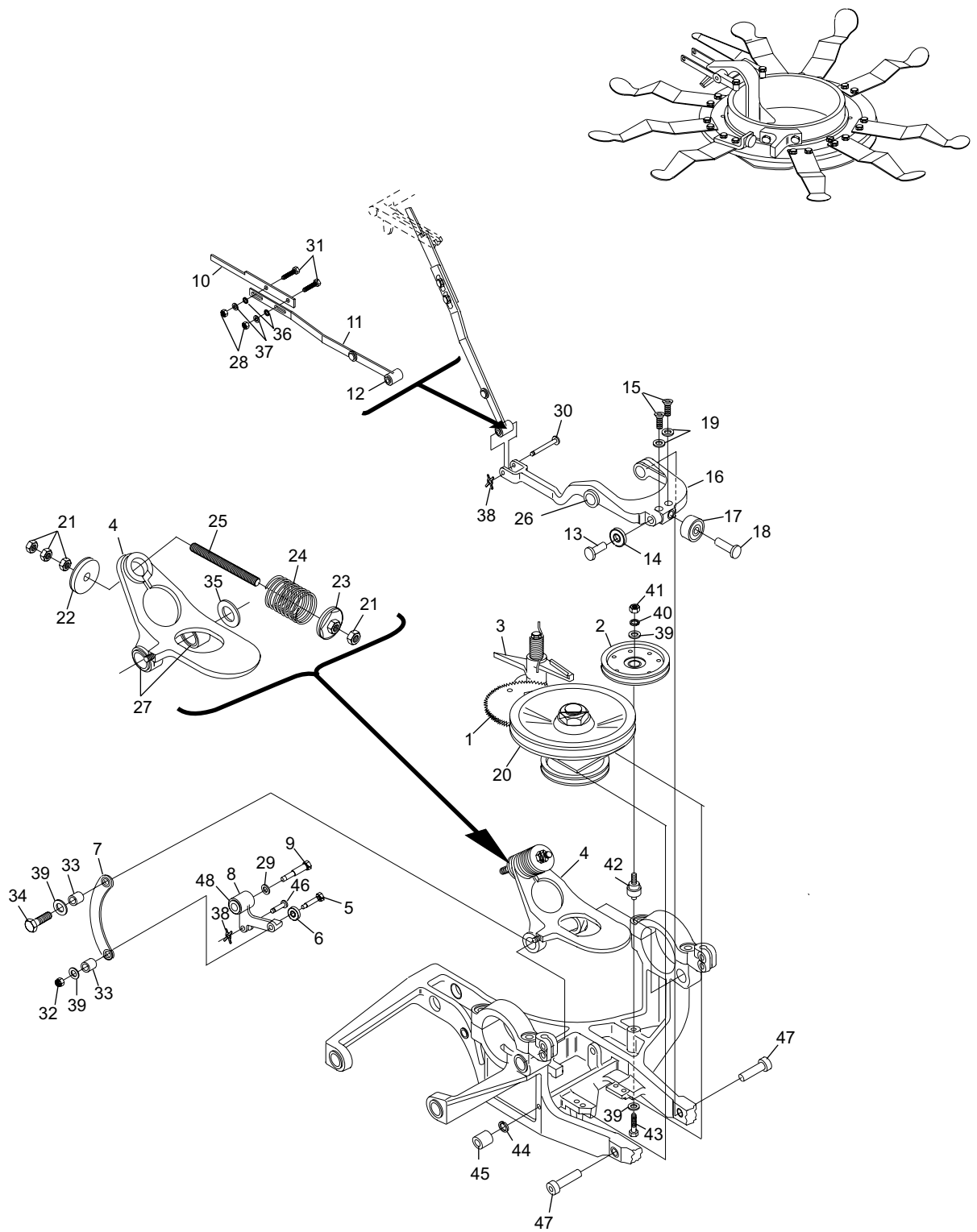
No.	Part No.	Description
1.	12-150138-000	Turret Delay Gear & Cam
	11-421035-000	Flanged Oilite Bearing
2.	12-400219-000	Idler Pulley Assembly
3.	12-150011-000	Latch Assembly
	11-421065-000	Flanged Oilite Bearing
4.	12-150064-000	Trip Lever Assembly, See Note
5.	12-150120-000	Stud
6.	12-862171-000	Ball Bearing
7.	12-150065-000	Link
8.	12-150051-000	Turret Indexing Bell Crank Assembly
9.	12-150072-000	Shoulder Screw
10.	12-150057-003	Strap, standard
	12-860808-000	Heavy Duty Pin Gate Strap
11.	12-150227-000	Linkage Assembly
12.	11-420048-000	Bearing (.1885 I.D. X .3145 O.D.)
13.	12-150056-003	Roller Stud
14.	11-500001-000	Ball Bearing
15.	11-007090-001	Flat Head Socket Cap Screw (10-24 x 5/8")
	11-015163-001	Hex Head Socket Cap Screw w/ External Tooth Lockwasher
16.	12-150013-000	Turret Stop Lever Assembly
17.	90-150303-000	Delrin Turret Stop Roller
18.	12-150056-002	Roller Stud
19.	11-198508-001	Countersunk Lockwasher (#10)
20.	12-150198-000	Clutch & Mount
21.	11-125204-001	Hex Jam Nut (3/8-16)
22.	12-150168-000	Stop Washer Assembly
23.	12-150063-000	Spring Seat Assembly
24.	12-150087-000	Compression Spring
25.	12-150062-000	Stud
26.	N.A.	Bearing
27.	11-421047-000	Bearing (.753 I.D. X .876 O.D.)
28.	11-125004-001	Hex Nut (#10-24)
29.	11-190014-001	Flat Washer (3/8)
30.	12-150158-012	X-Washer Pin
31.	11-001062-001	Hex Head Cap Screw (10-24 x 3/4")
32.	11-170106-001	Hex Nut Flexlock (1/4-20)
33.	12-150190-000	Sleeve Oilite Bearing
34.	11-110130-001	Hex Head Cap Screw (1/4-20 x 3/4")
35.	12-150157-003	Washer
36.	11-190006-001	Flat Washer - SAE (#10)
37.	11-195010-001	Lockwasher (#10)
38.	11-230000-001	X-Washer (3/32)
39.	11-190010-001	Flat Washer (1/4)
40.	11-195014-001	Lockwasher (1/4)
41.	11-125100-001	Hex Nut (1/4-20)
42.	12-150186-000	Spacer
43.	11-005196-001	Socket Head Cap Screw (1/4-20 x 3")
44.	11-195015-001	Lockwasher (5/16)
45.	12-150191-000	Internal Wrenching Nut
46.	12-150158-013	X-Washer Pin
47.	12-150166-000	Pin
48.	11-421048-000	Flanged Oilite Bearing

N.A. = No Longer Available

NOTE: Trip Lever Assembly, includes:

12-150062-000 Stud, not shown
12-150087-000 Compression Spring
12-150168-000 Stop Washer Assembly
11-421047-000 Bearing
12-150063-000 Spring Seat

Turret Clutch and Pulley Assembly (Old Style)



**Turret Clutch and Pulley Assembly
(Old Style)**

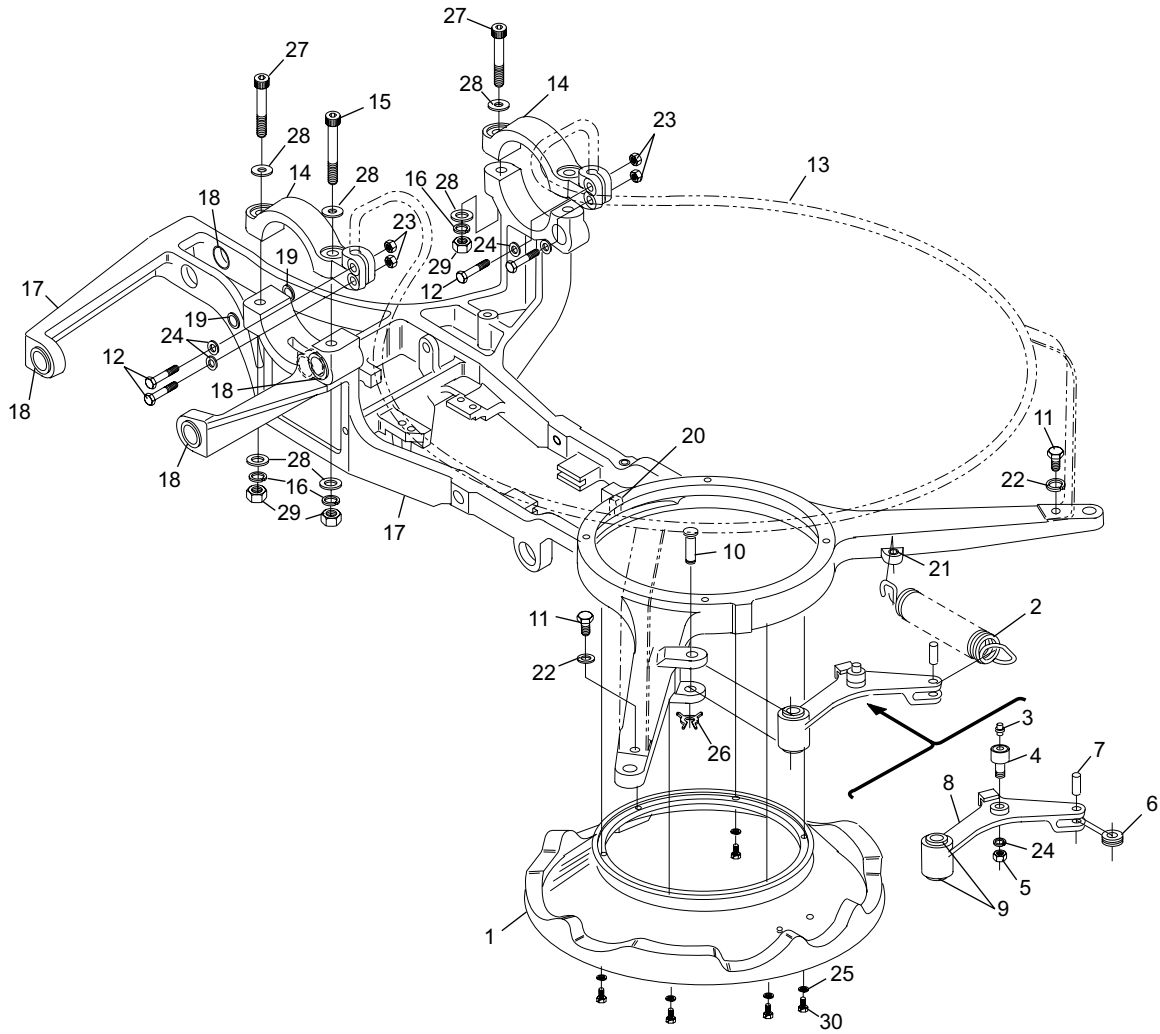
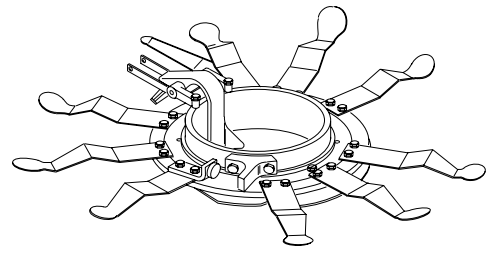
Index

No.	Part No.	Description
1.	N.A.	Cast Turret Indexing Pulley
2.	12-150070-000	Tension Spring
3.	12-150183-000	Grease Fitting
4.	11-480001-000	Cam Follow Needle Bearing
5.	11-125101-001	Hex Nut (1/4-28)
6.	12-150130-002	Wheel
7.	11-345408-001	Roll Pin (1/4 x 3/4")
8.	12-150214-000	Turret Release Lever Assembly
9.	11-421008-000	Flanged Oilite Bearing
10.	12-150281-000	Pivot Pin
11.	11-001260-001	Hex Head Cap Screw (5/16-18 x 5/8")
12.	11-002006-001	Hex Head Cap Screw (1/4-20 x 1-1/2")
13.	12-150117-000	Halo Ring Assembly
14.	N.A.	Frame Cap (See Note)
15.	11-005357-001	Hex Head Socket Cap Screw (3/8-16 x 3-1/4")
16.	11-195016-001	Lockwasher (3/8)
17.	12-150228-000	Turret Frame Assembly
18.	11-421049-000	Bearing (.753 I.D. x .878 O.D.)
19.	11-421009-000	Bearing (.3765 I.D. X .502 O.D.)
20.	11-420006-000	Bearing (.3765 I.D. X .503 O.D.)
21.	12-200047-003	Spacer
22.	11-195015-001	Lockwasher (5/16)
23.	11-125100-001	Hex Nut (1/4-20)
24.	11-195014-001	Lockwasher (1/4)
25.	11-195010-001	Lockwasher (#10)
26.	11-230003-001	"X" Washer (3/16)
27.	11-005354-001	Hex Head Socket Cap Screw (3/8-16 x 2-1/2")
28.	11-190014-001	Flat Washer (3/8)
29.	11-125104-001	Hex Nut (3/8-16)
30.	11-006088-0	01 Button Head Socket Cap Screw (10-24 x 1/2")

N.A. = No Longer Available

NOTE: Replace old cap with 12-150229-000 and 2 each 11-005359-000 cap screws.

Turret Index Pulley Assembly



Turret Index Pulley Assembly

Index

No.	Part No.	Description
1.	12-150228-000	Turret Frame Assembly
2.	12-150229-000	Cap
3.	11-005356-001	Hex Head Socket Cap Screw (3/8-16 x 3")
4.	11-005360-001	Hex Head Socket Cap Screw (3/8-16 x 4")
5.	11-005354-001	Hex Head Socket Cap Screw (3/8-16 x 2-1/2")
6.	11-125104-001	Hex Nut (3/8-16)
7.	11-195016-001	Lockwasher (3/8)
8.	12-150289-000	Link
9.	12-150158-007	X-Washer Pin (1-3/32 X .186)
10.	12-150214-000	Turret Release Lever Assembly
11.	11-480001-000	Cam Follow Needle Bearing
12.	12-150070-000	Tension Spring
13.	11-345408-001	Roll Pin (1/4 x 3/4")
14.	11-190014-001	Flat Washer (3/8)
15.	11-420043-000	Sleeve Oilite Bearing
16.	11-421039-000	Bearing (.3135 I.D. X .440 O.D.)
17.	12-150113-000	Belt
18.	12-150059-000	Plate
19.	11-500001-000	Ball Bearing
20.	11-005178-001	Hex Head Socket Cap Screw (1/4-20 x 1/2")
21.	12-150187-000	Bottom Protector
22.	11-190006-001	Flat Washer - SAE (#10)
23.	11-195010-001	Lockwasher (#10)
24.	11-125004-001	Hex Nut (#10-24)
25.	11-007094-000	Flat Head Socket Cap Screw (10-24 x 1")
26.	N.A.	Pin Guide Block, pin necessary to stay
27.	11-230002-001	"X" Washer (5/32)
28.	12-150158-004	X-Washer Pin
29.	12-150279-000	Lever Assembly
30.	12-150158-006	X-Washer Pin
31.	11-230000-001	X-Washer (3/32)
32.	11-195014-001	Lockwasher (1/4)
33.	11-125106-001	Hex Nut (7/16-14)
34.	11-125206-001	Hex Jam Nut (7/16-14)
35.	12-150085-000	Support Rod
36.	12-150235-000	Turret Index Latch Assembly, See Note
37.	12-150157-004	Washer
38.	11-530514-000	Internal Retaining Ring (1.282 I.D.)
39.	11-005086-001	Hex Head Socket Cap Screw (10-24 x 3/8")
40.	12-150259-000	Shaft, See Note

N.A. = No Longer Available

NOTE: 12-150277-000 Shaft and Latch Assembly includes:

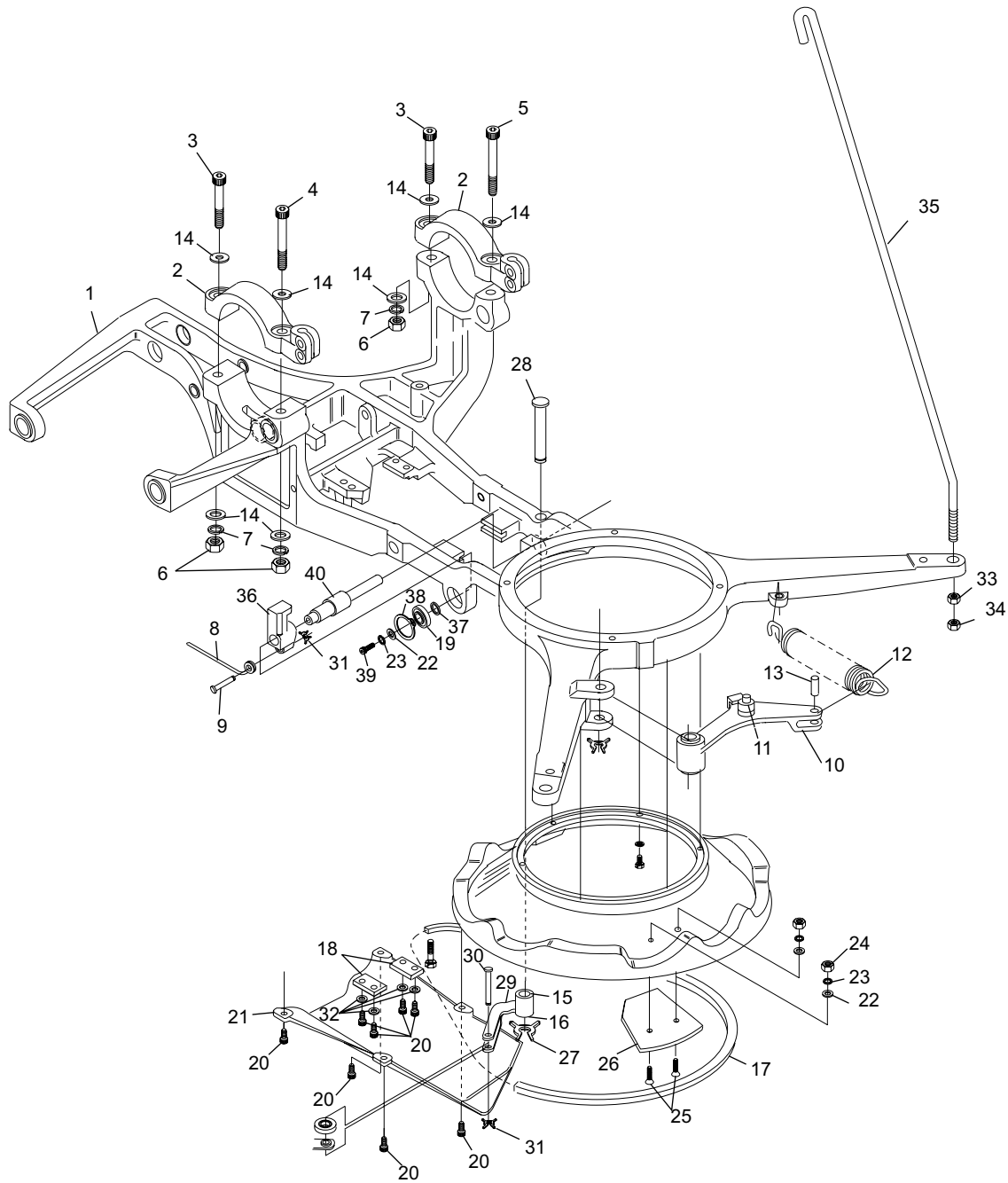
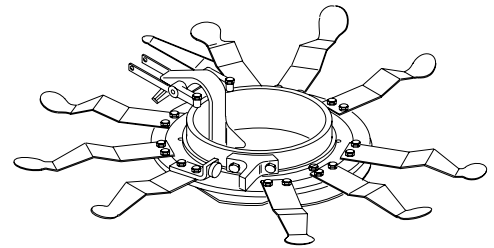
11-420032-000 Bearing (.3765 I.D. X .503 O.D.)

12-150249-000 Shaft

12-150235-000 Latch Assembly

10-381244-000 Spacer

Turret Assembly



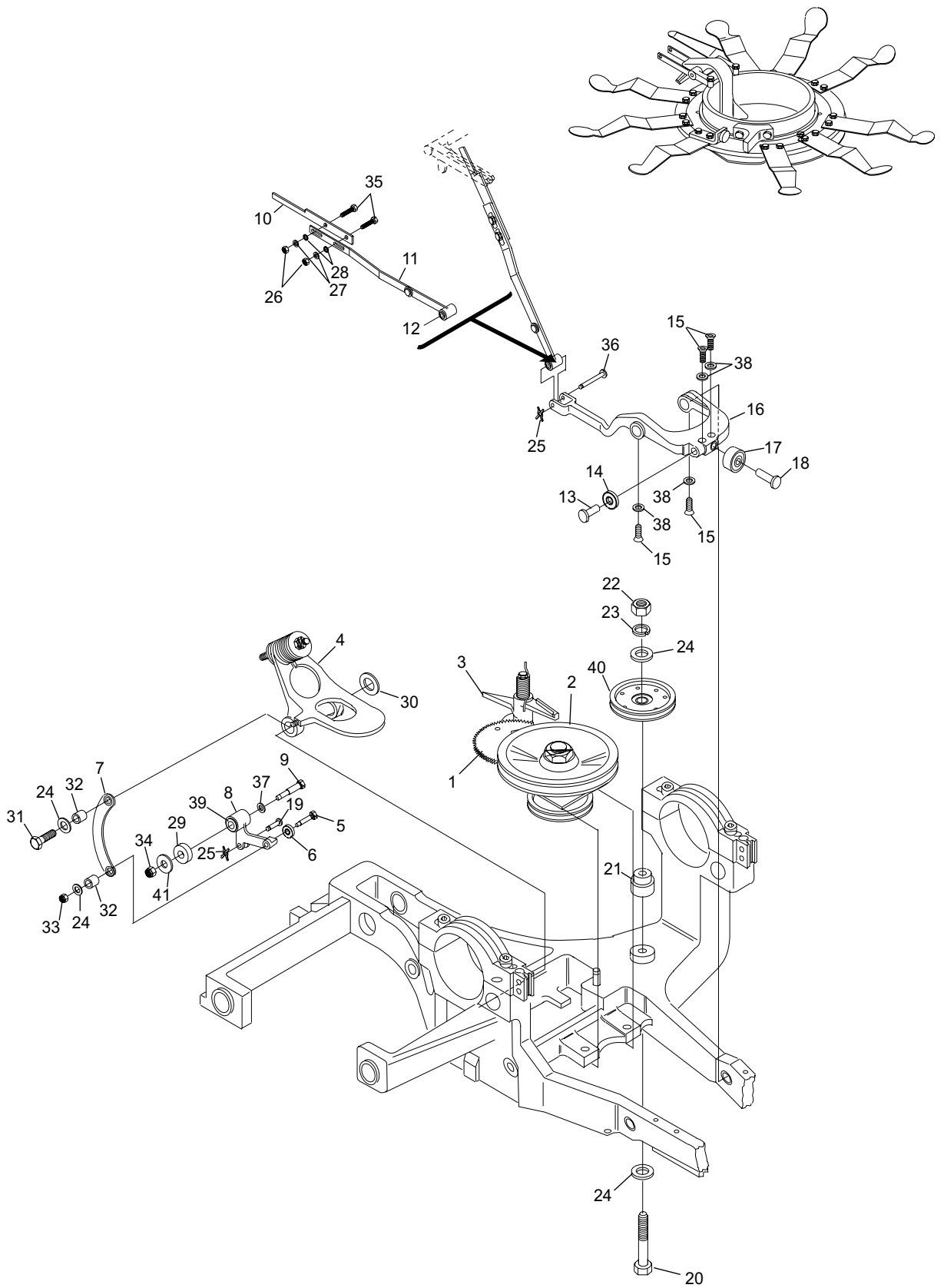
Turret Assembly

Index

No.	Part No.	Description
1.	12-150138-000	Turret Delay Gear
	11-421035-000	Flanged Oilite Bearing
2.	12-150198-000	Clutch & Mount Assembly, Early Version - See Note
3.	12-150011-000	Latch Assembly
	11-421065-000	Flanged Oilite Bearing
4.	12-150064-000	Trip Lever Assembly
	12-150062-000	Stud
	12-150087-000	Compression Spring
	12-150168-000	Stop Washer Assembly
	11-421047-000	Bearing (.753 I.D. X .876 O.D.)
	12-150063-000	Spring Seat Assembly
5.	12-150120-000	Stud
6.	12-862171-000	Ball Bearing
7.	12-150065-000	Link
8.	12-150051-000	Turret Indexing Bell Crank Assembly
9.	12-150252-000	Shoulder Screw
10.	12-150057-003	Strap
	12-860808-000	Heavy Duty Pin Gate Strap
11.	12-150227-000	Linkage Assembly
12.	11-420048-000	Bearing (.1885 I.D. X .3145 O.D.)
13.	12-150056-003	Roller Stud
14.	11-500001-000	Ball Bearing
15.	11-007090-001	Flat Head Socket Cap Screw (10-24 x 5/8")
16.	12-150231-000	Turret Stop Lever
17.	90-150303-000	Delrin Turret Stop Roller
18.	12-150056-002	Roller Stud
19.	12-150158-013	X-Washer Pin
20.	11-002008-001	Hex Head Socket Cap Screw (1/4-20 x 2")
21.	12-150186-000	Spacer
22.	11-125100-0	01 Hex Nut (1/4-20)
23.	11-195014-001	Lockwasher (1/4)
24.	11-190010-001	Flat Washer (1/4)
25.	11-230000-001	X-Washer (3/32)
26.	11-125004-001	Hex Nut (#10-24)
27.	11-195010-001	Lockwasher (#10)
28.	11-190006-001	Flat Washer - SAE (#10)
29.	12-150245-000	Spacer
30.	12-150157-003	Washer
31.	11-110130-001	Hex Head Cap Screw (1/4-20 x 3/4")
32.	12-150190-000	Sleeve Oilite Bearing
33.	11-170106-001	Hex Nut Flexlock (1/4-20)
34.	11-170010-001	Hex Nut Nylock (5/16-24)
35.	11-001062-001	Hex Head Cap Screw (10-24 x 3/4")
36.	12-150158-012	X-Washer Pin
37.	11-190014-001	Flat Washer (3/8)
38.	11-198508-001	Countersunk Lockwasher (#10)
39.	11-421048-000	Flanged Oilite Bearing
40.	12-400219-000	Idler Pulley Assembly
41.	11-190012-001	Flat Washer - SAE (5/16)

NOTE: The Turret Clutch & Mount Assembly 12-150198-000 is for machine S/N 1583 to S/N 12844, please see page 16C for a more detailed drawing. For machines S/N 12844 to 61194, please see page 18C.

Turret Assembly



Turret Assembly

Index

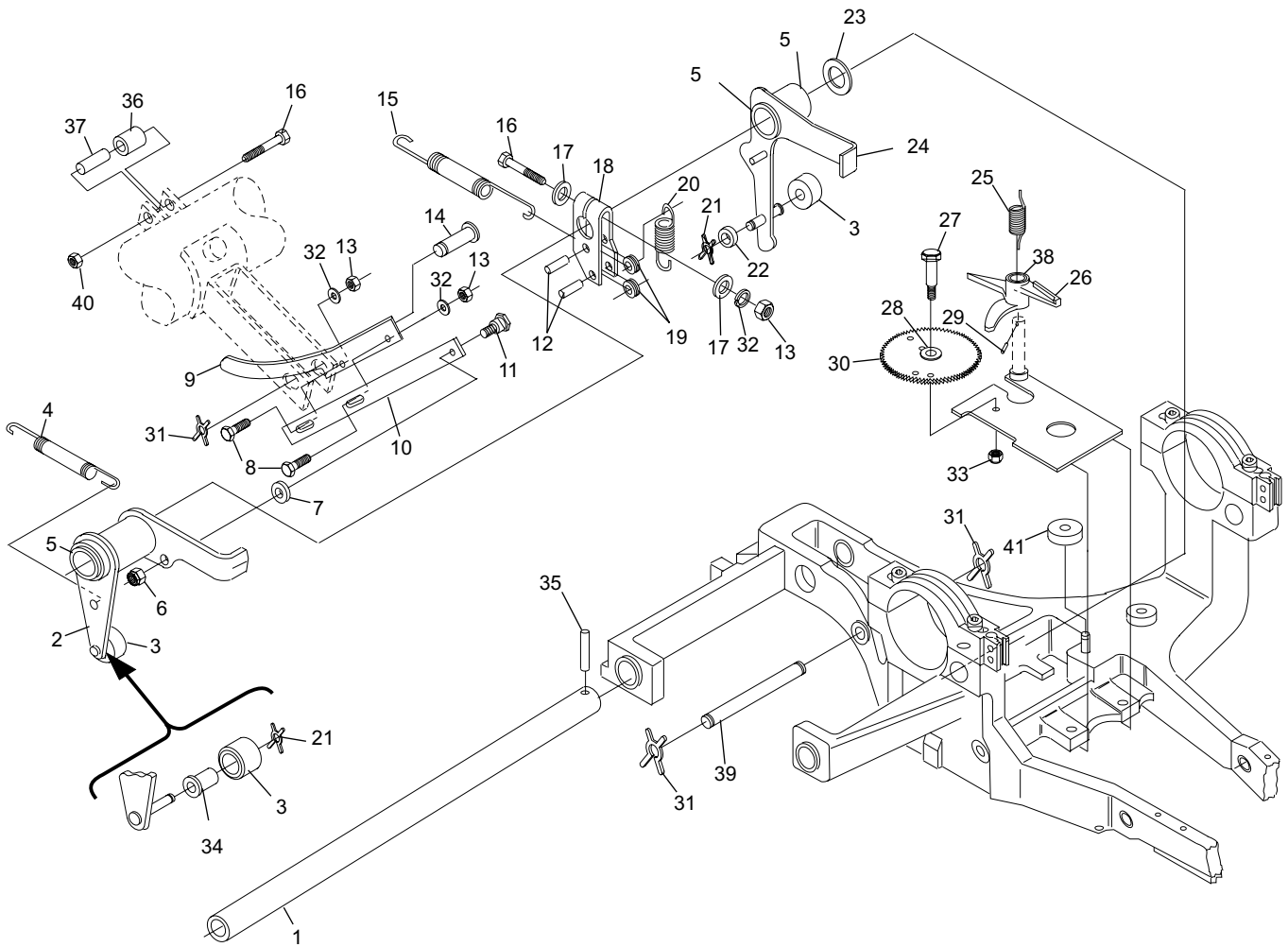
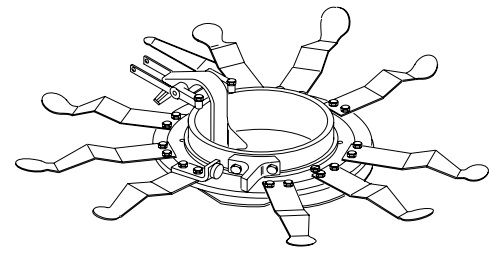
No.	Part No.	Description
1.	12-150143-002	Shaft
2.	12-150176-000	L.H. Blocking Finger
3.	12-150142-002	Bumper
4.	12-150213-000	Restricted Drop Spring
5.	11-421038-000	Flanged Bronze Bearing
6.	11-170104-001	Flexlock Hex Nut (#10-24), for machines prior to 12801
	11-170106-001	Hex Nut Flexlock (1/4-20), for machines serial #12801 and up
7.	12-150209-002	Restricted Drop Spacer
8.	11-001183-001	Hex Head Cap Screw (1/4-20 x 7/8")
9.	12-150298-000	Restricted Drop Link, Lower
10.	12-150210-000	Restricted Drop Link, Upper
11.	11-106525-000	Hex Head Socket Cap Screw (5/16 x 3/8 1/4-20), for serial #12801 and up 12-150195-000 Latch Shoulder Screw, for machines prior to serial #12801 - See Note 3
12.	11-345304-000	Roll Pin (3/16 x 1/2")
13.	11-125100-001	Hex Nut (1/4-20)
14.	12-150158-016	X-Washer Pin, See Note 1
15.	12-150025-000	Tension Spring
16.	11-001190-001	Hex Head Cap Screw (1/4-20 x 1-3/4")
17.	11-190010-001	Flat Washer (1/4)
18.	12-150271-000	Lever & Spring Wheel Assembly
19.	12-150130-005	Spring Wheel
20.	12-150215-000	Spring, for machines prior to 12844
	12-150272-000	Spring A A-2, for machines 12844 and up
21.	11-230001-001	X-Washer (1/8)
22.	12-150130-006	Wheel
23.	12-150157-002	Washer
24.	12-150200-000	R.H. Blocking Finger
25.	12-150012-000	Torsion Spring
26.	12-150011-000	Latch Assembly
27.	12-150254-000	Stud
28.	11-421035-000	Flanged Oilite Bearing
29.	11-360365-001	Spirol Pin (1/8 x 1-1/8")
30.	12-150138-000	Turret Delay Gear
31.	11-230003-001	"X" Washer (3/16)
32.	11-195014-001	Lockwasher (1/4)
33.	11-170010-001	Hex Nut Nylock (5/16-24)
34.	11-421037-000	Bearing (.253 I.D. X .377 O.D.)
35.	11-360466-000	Spirol Pin (3/16 x 1-1/4")
36.	12-150282-000	Roller
37.	12-150209-004	Spacer
38.	11-421065-000	Flanged Oilite Bearing
39.	12-150023-002	X-Washer Pin
40.	11-170007-001	Hex Nut Nylock (1/4-20)
41.	12-150246-000	Bumper (1-1/16")
	12-150246-002	Bumper (1-1/4")

NOTE 1: Use 12-150158-014 (1-1/16" Pin) or 12-150158-016 (1-57/64" Pin) depending on bracket size

NOTE 2: Order 11-421037-000 Bearing and 11-23001-001 X-Washer, for machines so equipped, not shown.

NOTE 3: Bolt T153A & nut T154 can replace screw T153 and nut T152 in machines prior to serial #12801, provided that the mating hole in the latch assembl T151 is resized to 1/4".

Turret Assembly (New Style)



**Turret Assembly
(New Style)**

Index

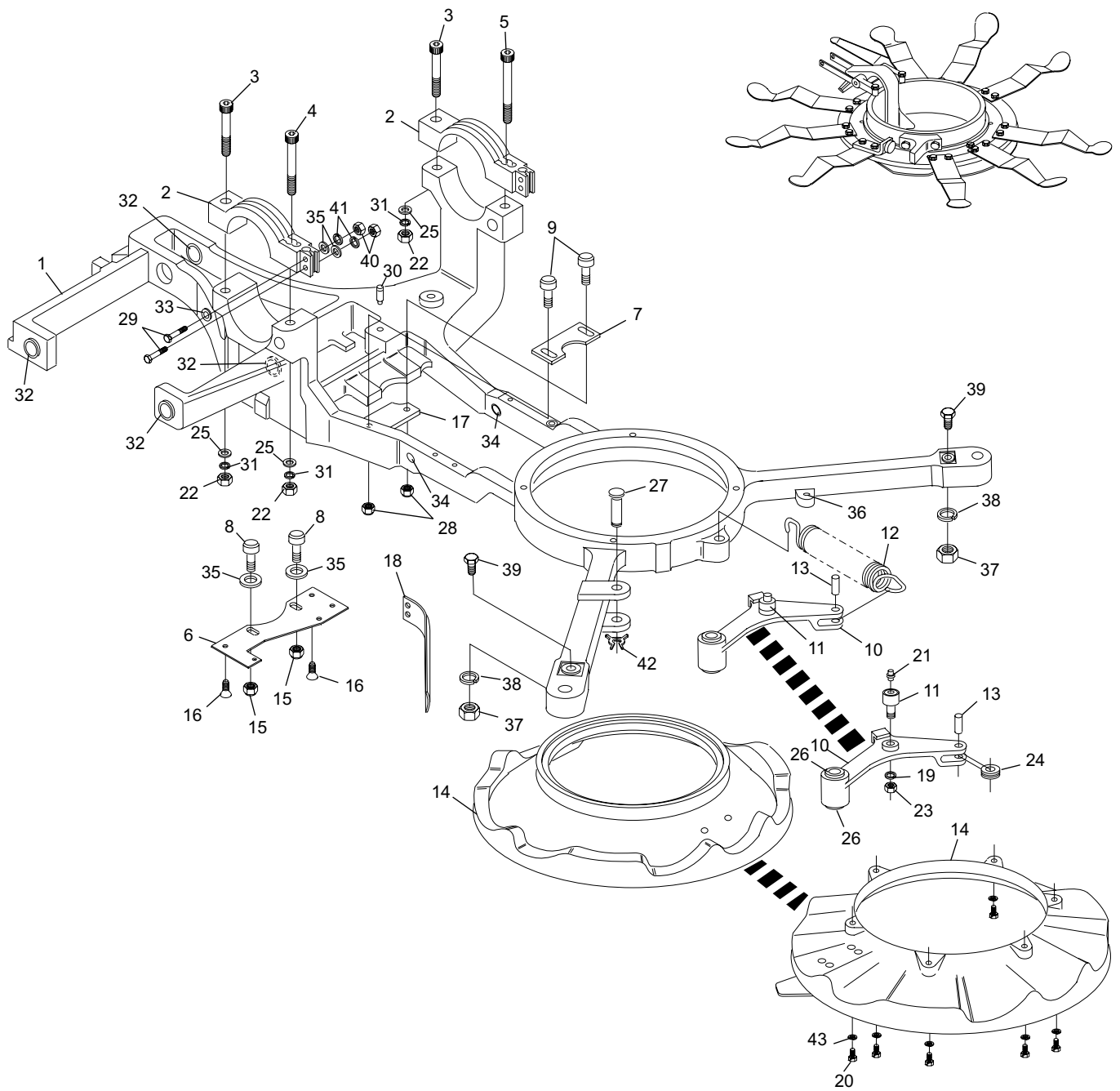
No.	Part No.	Description
1.	12-150228-000	Turret Frame Assembly
2.	12-150229-000	Cap
3.	11-005356-001	Hex Head Socket Cap Screw (3/8-16 x 3")
4.	11-005360-001	Hex Head Socket Cap Screw (3/8-16 x 4")
5.	11-005354-001	Hex Head Socket Cap Screw (3/8-16 x 2-1/2")
6.	12-150248-000	Bracket
7.	12-150261-000	Plate
8.	12-150242-000	Slide
9.	12-150260-000	Slide
10.	12-150214-000	Turret Release Lever Assembly, does not include cam follower
11.	11-480001-000	Cam Follow Needle Bearing
12.	12-150070-000	Tension Spring
13.	11-345408-001	Roll Pin (1/4 x 3/4")
14.	12-150290-000	Turret Index Pulley Assembly, See Note
15.	11-170008-001	Hex Nut Nylock (1/4-28)
16.	11-007182-001	Flat Head Socket Cap Screw (1/4-20 x 3/4")
17.	12-150250-000	Stop
18.	N.A.	Pin Retainer, applicable for all machines prior to S/N 29000
19.	11-195014-001	Lockwasher (1/4)
20.	11-006088-001	Button Head Socket Cap Screw (10-24 x 1/2")
21.	12-150183-000	Grease Fitting
22.	11-125104-001	Hex Nut (3/8-16)
23.	11-125101-001	Hex Nut (1/4-28)
24.	12-150130-002	Wheel
25.	11-190014-001	Flat Washer (3/8)
26.	11-421008-000	Flanged Oilite Bearing
27.	12-150281-000	Pivot Pin
28.	11-170107-001	Self-Locking Thin Nut (1/4-28)
29.	11-002006-001	Hex Head Cap Screw (1/4-20 x 1-1/2")
30.	12-150244-000	Stud
31.	11-195016-001	Lockwasher (3/8)
32.	11-421049-000	Bearing (.753 I.D. X .878 O.D.)
33.	11-421009-000	Bearing (.3765 I.D. X .502 O.D.)
34.	12-150255-000	Flanged Oilite Bearing
35.	11-190010-001	Flat Washer (1/4)
36.	12-200047-003	Spacer
37.	11-125102-001	Hex Nut (5/16-18)
38.	11-195015-001	Lockwasher (5/16)
39.	11-001270-001	Hex Head Cap Screw (5/16-18 x 1-3/4")
40.	11-125100-001	Hex Nut (1/4-20)
41.	22-195014-001	Lockwasher (1/4)
42.	11-230003-001	"X" Washer (3/16)
43.	11-195010-001	Lockwasher (#10)

N.A. = No Longer Available

NOTE: When replacing cast pulley, order: 12-150290-000, 12-150289-000,

12-1502779-000 (2 each), 12-150206-000, 12-150307-000, and 12-150293-000 (2 each)

Turret Index Pulley Assembly

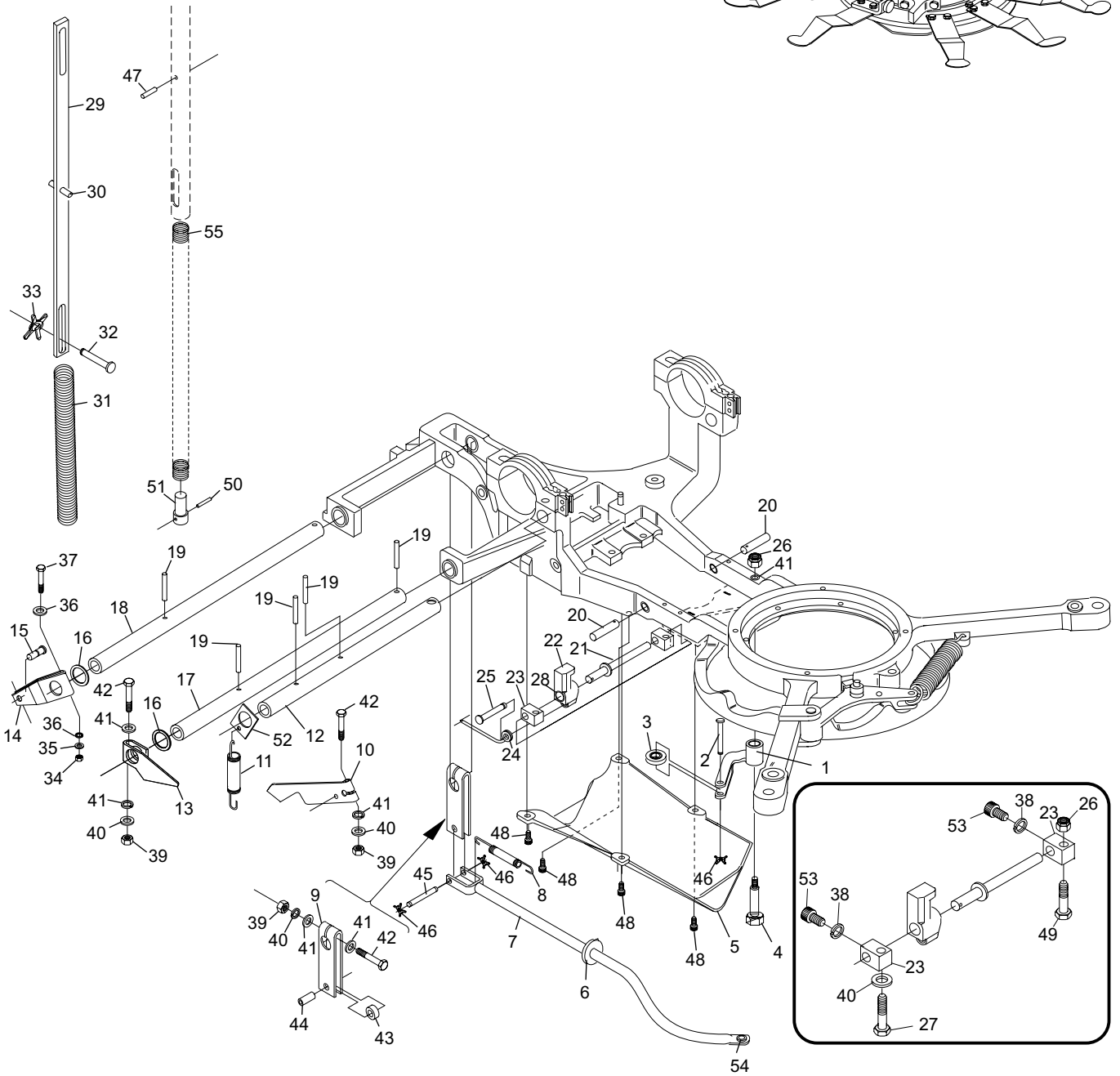
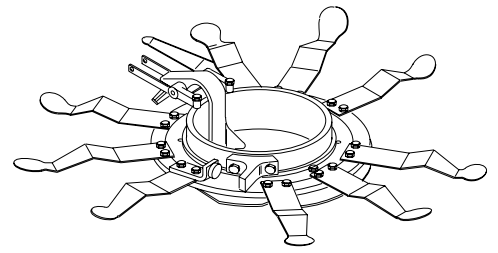


Turret Index Pulley Assembly

Index

No.	Part No.	Description
1.	12-150279-000	Lever Assembly
	11-420043-000	Sleeve Oilite Bearing
	11-421039-000	Bearing (.3135 I.D. X .440 O.D.)
2.	12-150158-006	X-Washer Pin
3.	12-150226-000	Roller & Bearing Assembly
4.	12-150247-000	Stud
5.	12-150187-000	Bottom Protector
6.	12-150142-003	Bumper
	12-150287-000	Interlock Link and Lever Assembly, not shown
7.	12-150234-000	Interlock Link Assembly
8.	12-150132-000	Tension Spring
9.	12-150147-000	Lever Assembly
10.	12-150111-000	Latch
11.	12-150090-000	Tension Spring
12.	12-150069-000	Roll Pin (3/16 x 5/8")
13.	12-150144-000	Lever
14.	12-150145-000	Lever
15.	12-150071-000	Pin
16.	12-150157-003	Washer
17.	12-150143-003	Interlock Shaft
18.	12-150143-002	Shaft
19.	11-360466-000	Spiral Pin (3/16 x 1-1/4")
20.	12-150236-000	Pin
21.	12-150259-000	Shaft
22.	12-150235-000	Turret Index Latch Assembly
23.	12-150293-000	Shaft Clamp
24.	12-150289-000	Link
25.	12-150158-007	X-Washer Pin (1 3/32 X .186)
26.	11-170008-001	Hex Nut Nylock (1/4-28)
27.	11-002006-001	Hex Head Cap Screw (1/4-20 x 1-1/2")
28.	12-150256-000	Bronze Bearing
29.	12-100904-000	Link Clutch Release Lever
30.	11-345310-001	Roll Pin (3/16 x 7/8")
31.	12-100167-000	Spring
32.	12-100166-007	X-Washer Pin
33.	11-230001-001	X-Washer (1/8)
34.	11-125102-001	Hex Nut (5/16-18)
35.	11-195015-001	Lockwasher (5/16)
36.	11-190012-001	Flat Washer - SAE (5/16)
37.	11-001270-001	Hex Head Cap Screw (5/16-18 x 1-3/4")
38.	11-196008-001	Hi-Collar Lockwasher (#10)
39.	11-125100-001	Hex Nut (1/4-20)
40.	11-195014-001	Lockwasher (1/4)
41.	11-190010-001	Flat Washer (1/4)
42.	11-001190-001	Hex Head Cap Screw (1/4-20 x 1-3/4")
43.	12-150125-000	Roller
44.	11-420000-000	Sleeve Oilite Bearing
45.	12-150023-007	X-Washer Pin
46.	11-230000-000	Roll Pin (3/16 x 1-3/4")
47.	11-345304-000	Roll Pin (3/16 x 1/2")
48.	11-005178-001	Hex Head Socket Cap Screw (1/4-20 x 1/2")
49.	11-002035-001	Hex Head Socket Cap Screw (1/4-28 x 1-1/4")
50.	11-345154-000	Roll Pin (1/8 x 1/2")
51.	12-150149-000	Plunger
52.	12-150088-000	Spring Hook
53.	11-005118-001	Hex Head Socket Cap Screw (10-32 x 1/2")
54.	11-421061-000	Flanged Oilite Bearing
55.	12-150127-000	Spring

Turret Assembly



Turret Assembly

Index

No.	Part No.	Description
1	11-300001-001	Tubular Flat Head Rivet
2.	11-170108-000	Flexlock Hex Nut (5/16-18)
3.	N.A.	Washer
4.	N.A.	Shaft Assembly, splined
5.	N.A.	Top Hub & Disc Assembly
6.	N.A.	Bearing
7.	N.A.	Pulley
8.	N.A.	Bottom Hub & Disc Assembly (See Note 2)
9.	11-431006-000	Ball Bearing
10.	12-860804-000	Friction Disc Assembly
11.	12-150004-000	Guide
12.	11-345161-000	Roll Pin (1/8 x 15/16")
13.	12-150026-000	Spring
14.	N.A.	Washer
15.	12-150027-000	Compression Spring
16.	12-150239-000	Clutch Face Plug
17.	12-150010-000	Clutch Mount Assembly
18.	N.A.	Retaining Ring
19.	N.A.	Turret Drive Pulley-See Note 1
20.	11-345408-001	Roll Pin (1/4 x 3/4")
21.	12-150154-000	Flanged Oilite Bearing
22.	12-100162-000	Ball Valve
23.	11-125265-001	Hex Jam Nut (3/4-16)
24.	12-150220-000	Turret Clutch Drive Pulley
25.	12-150222-000	Compression Spring
26.	12-150217-000	Spacer
27.	11-431010-000	Ball Bearing
28.	12-150219-000	Pulley
29.	12-150216-000	Shaft only
30.	12-860805-000	Turret Clutch Facing Kit

N.A.= No Longer Available

NOTE 1: Complete Clutch Assembly 12-150198-000 is interchangeable on machines prior to S/N 1583 with the addition of the following parts:

12-150234-000 Interlock Link Assembly

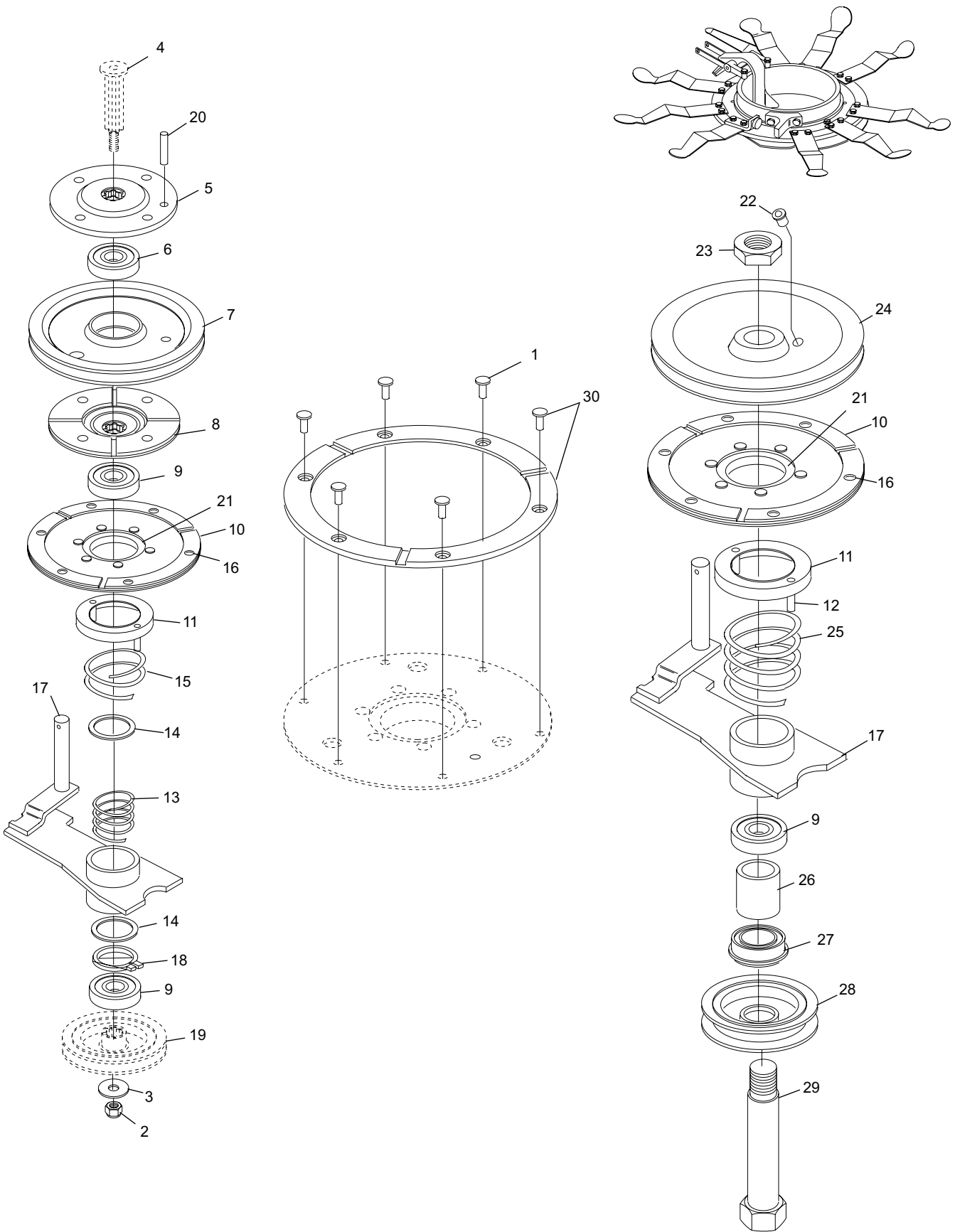
12-150013-000 Turret Stop Lever Assembly

11-007090-001 Flat Head Socket Cap Screw (10-24 x 5/8")

11-198508-001 Countersunk Lockwasher (#10)

NOTE 2: Use 12-150220-000 Pulley and 12-150216-000 Shaft.

Turret Clutch and Pulley Assembly (Old Style)



**Turret Clutch and Pulley Assembly
(Old Style)**

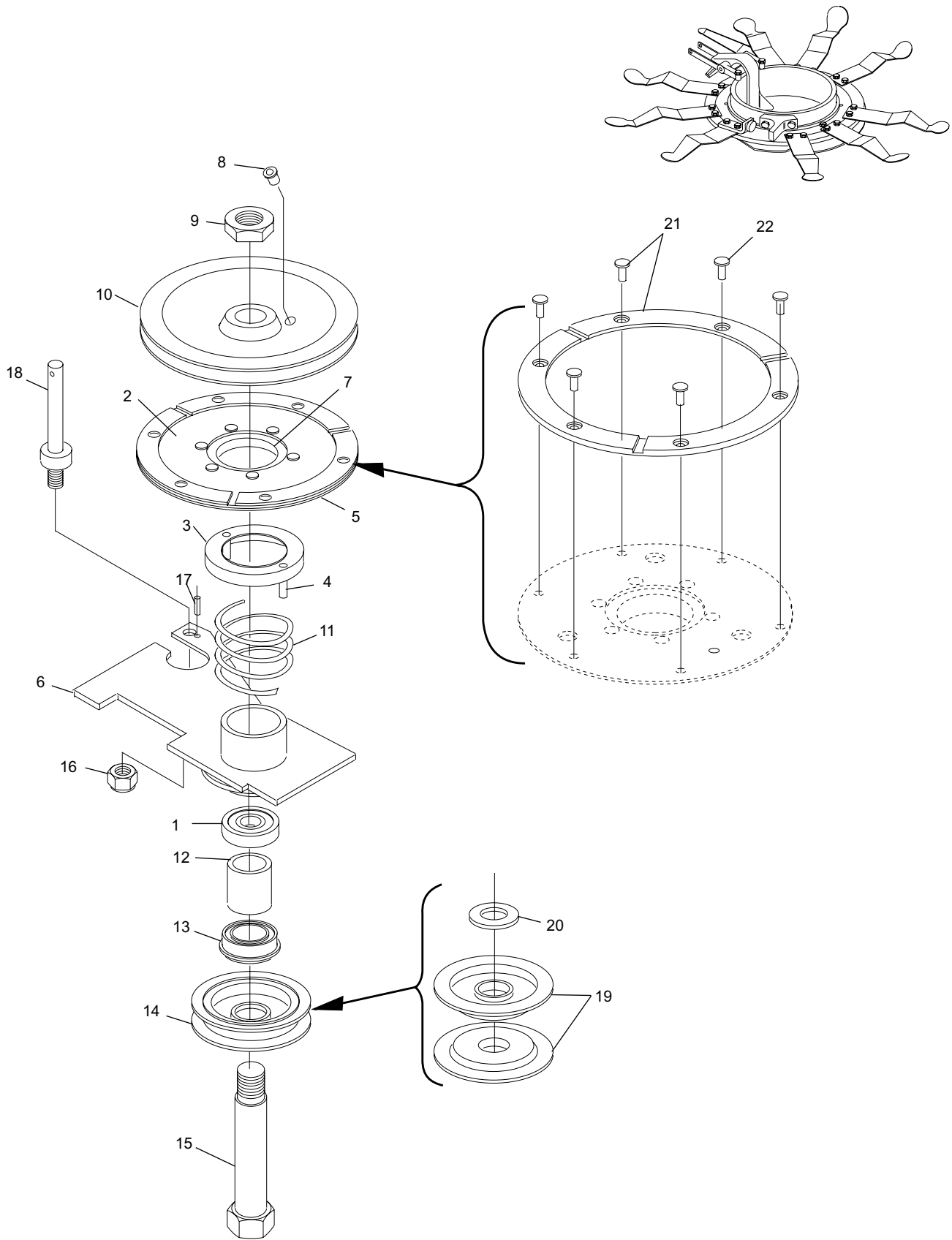
Index

No.	Part No.	Description
1.	11-431006-000	Ball Bearing
2.	N.A.	Friction Disc Assembly
3.	N.A.	Spring Guide Assembly
4.	11-345161-000	Roll Pin (1/8 x 15/16)
5.	12-150239-000	Plug Clutch Face, for machines so equipped (3 req'd)
6.	12-150258-000	Sleeve & Plate Assembly
7.	12-150154-000	Flanged Oilite Bearing
8.	12-100162-000	Ball Valve
9.	11-125265-001	Hex Jam Nut - L.H. (3/4-16)
10.	12-150220-000	Pulley Turret Drive
11.	12-150222-000	Compression Spring
12.	12-150217-000	Spacer
13.	11-431010-000	Ball Bearing
14.	12-150219-000	Pulley
15.	12-150216-000	Turret Drive Clutch Shaft
16.	11-170109-001	Flexlock Hex Nut (5/16-24)
17.	11-345154-000	Roll Pin (1/8 x 1/2)
18.	12-150253-000	Post
19.	12-150306-000	Disc
20.	12-150307-000	Spacer
21.	N.A.	Clutch Face & Rivet Replacement Kit
22.	11-300001-001	Rivet

N.A. = No Longer Available

NOTE: Replace old cap with 12-150229-000 and 2 each 11-005359-000 cap screws.

**Turret Clutch and Pulley Assembly
(New Style)**



**Turret Clutch and Pulley Assembly
(New Style)**

Index

No.	Part No.	Description
1.	11-230001-001	X-Washer (1/8)
2.	12-150023-008	X-Washer Pin
3.	11-420046-000	Sleeve Oilite Bearing
4.	12-150096-000	Tension Spring
5.	11-421026-000	Flanged Oilite Bearing
6.	12-150086-000	Turret Probe Assembly
7.	11-170006-001	Hex Nut Nylock (#10-32)
8.	12-860117-000	L.H. Bracket
	12-860118-000	R.H. Bracket (Steel Catwalk)
	12-860119-000	Center Chute Repair Kit
9.	12-150267-000	Spacer
10.	12-150268-000	Hex Head Socket Cap Screw (5/16 x 4-3/4")
11.	12-150108-000	Center Chute Assembly
12.	12-150304-003	Special Hex Head Socket Cap Screw
13.	11-195010-001	Lockwasher (#10)
14.	12-150109-000	Center Chute Repair Plate
15.	12-150079-000	Trip
16.	11-195014-001	Lockwasher (1/4)
17.	12-862874-000	Turret Ring Bearing Assembly
18.	11-480001-000	Cam Follow Needle Bearing
19.	11-421004-000	Flanged Oilite Bearing
20.	12-150158-015	X-Washer Pin
21.	11-006185-001	Button Head Socket Cap Screw (1/4-20 x 1-1/8")
22.	11-125101-001	Hex Nut (1/4-28)
23.	11-190014-001	Flat Washer (3/8)
24.	11-198007-001	External Tooth Lockwasher (3/8")
25.	11-001343-001	Hex Head Socket Cap Screw
26.	12-150066-000	Release Cam
27.	12-150264-000	Stop
28.	11-125100-001	Hex Nut (1/4-20)
29.	11-105160-001	Set Screw (1/4-20 x 1/4")
	11-345258-001	Roll Pin (5/32 x 3/4")
	N.A.	Cotter Pin, for S/N 3038 and below
30.	12-150265-000	Bumper - Turret Stop
	12-150325-000	Bumper - Turret Stop
31.	12-150284-000	Short Turret Spoon, See Note
32.	12-150266-000	Bracket
33.	12-150304-002	Special Hex Head Socket Cap Screw
34.	12-150283-000	Long Turret Spoon
35.	11-002004-001	Hex Head Cap Screw (1/4-20 x 1"), 2 required
36.	12-150299-000	Pin Release Shaft
37.	12-150237-000	Interlock Link
38.	12-150049-000	Pin Release Lever Assembly
39.	11-421045-000	Flanged Oilite Bearing
40.	12-150269-000	Bracket

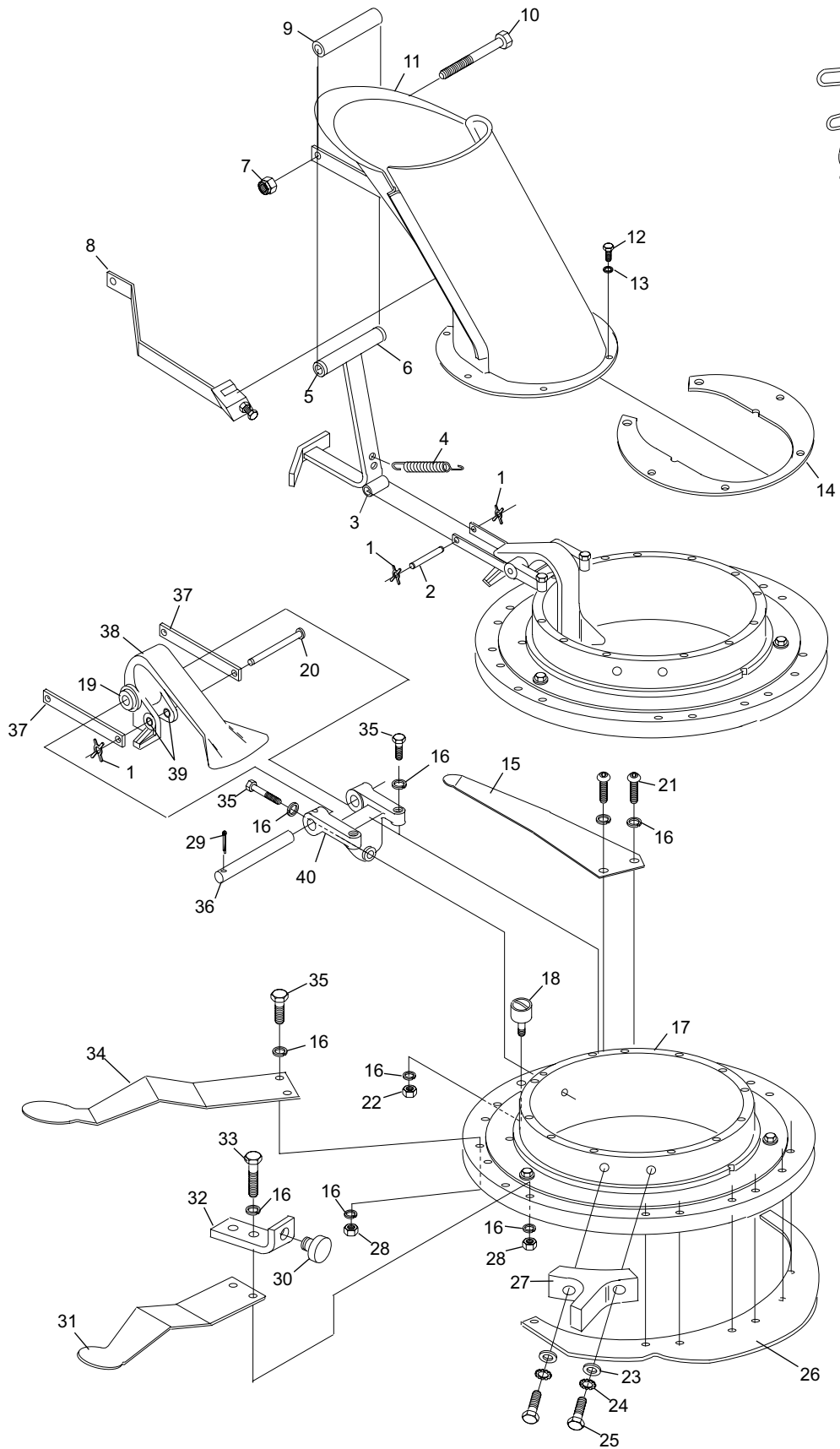
N.A. = No Longer Available

NOTE: Also order the following (not shown):

11-002004-001 Hex Head Socket Cap Screw, 2 required

11-195014-001 Lockwasher (1/4"), 2 required

Turret Ring and Index Assembly

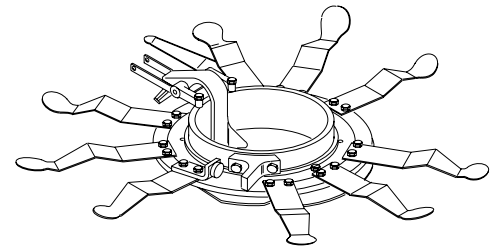
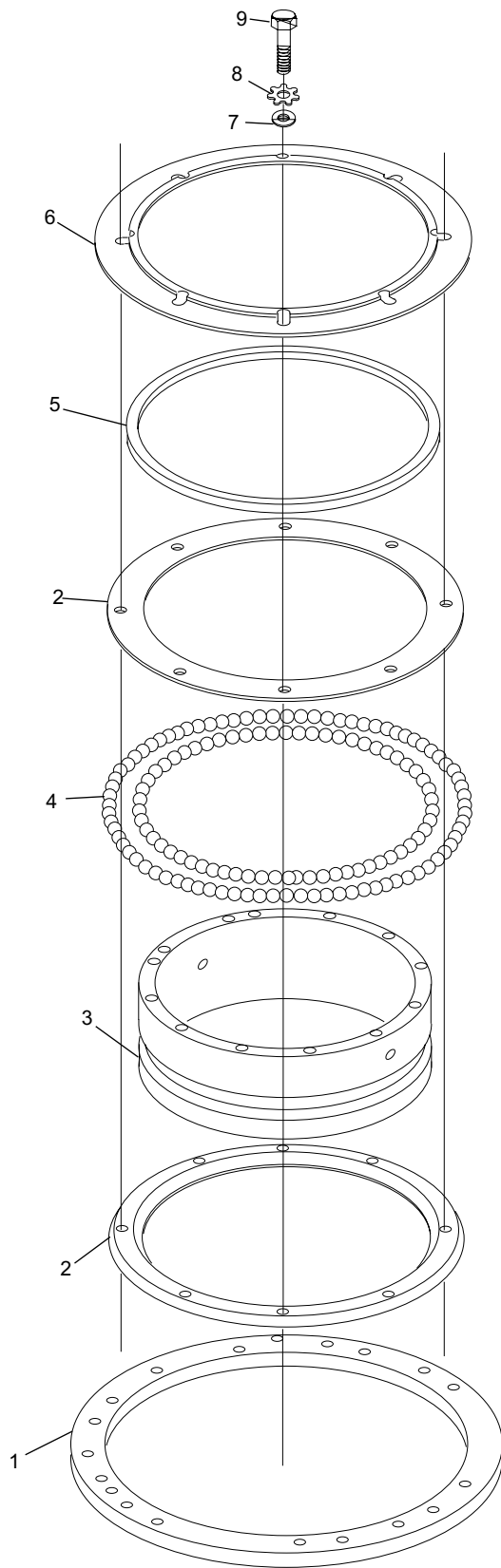


Turret Ring and Index Assembly

Index

No.	Part No.	Description
1.	12-150039-000	Spider Ring
2.	12-860581-000	Bearing Ring Set
3.	12-150040-000	Turret Ring
4.	11-575093-000	Steel Ball (3/8")
5.	12-150115-000	Seal
6.	12-150116-000	Seal Retainer
7.	11-190010-001	Flat Washer (1/4)
8.	11-198005-001	External Tooth Lockwasher (1/4")
9.	11-002001-001	Hex Head Socket Cap Screw (1/4-20 x 5/8")
10.	12-862874-000	Turret Ring Bearing Assembly (not illustrated)

Turret Ring and Bearing Assembly



10

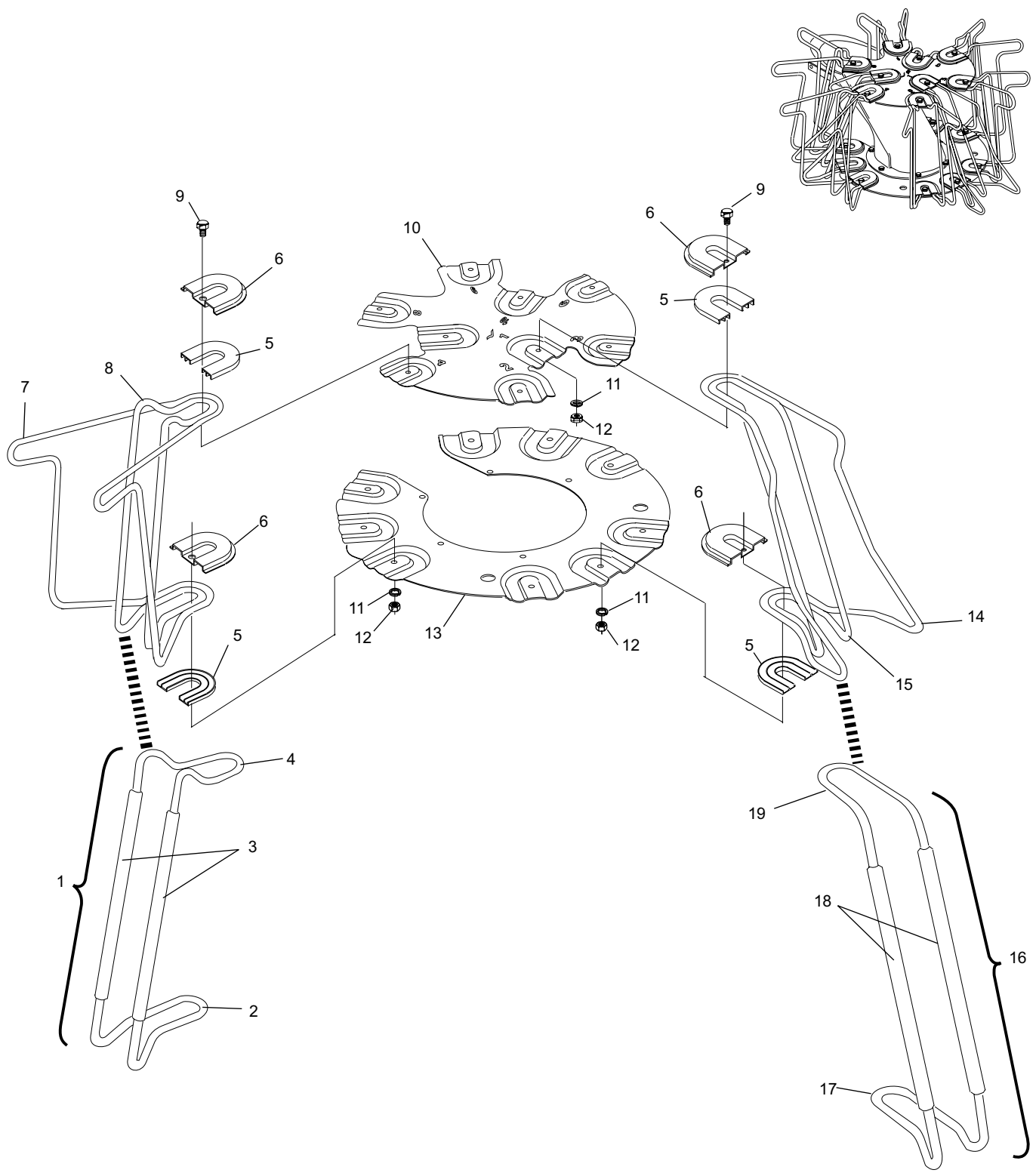
Turret Ring and
Bearing Assembly
Not Illustrated

Turret Ring and Bearing Assembly

Index

No.	Part No.	Description
1.	12-862116-000	Turret Pin Guide
2.	12-150314-000	Bottom Wire Form
3.	12-150324-000	Rod (10")
4.	12-150313-000	Wire Form
5.	12-150182-000	Turret Pin Guide Cushion
	90-150182-000	Pin Guide Wire Pad
6.	12-150181-000	Pin Guide Clamp
7.	12-150297-000	Turret Pin Guide (Pins 2, 3, 4, 6, 8, & 9 Outside)
8.	12-150294-000	Guide Wire (Pins 2, 3, 4, 6, 8 & 9 Inside)
9.	11-001182-001	Hex Head Cap Screw (1/4-20 x 3/4")
10.	12-150107-000	Upper Clamp Plate
	12-860228-600	Advanced Performance Turret Clamp Plates Kit
11.	11-195014-001	Lockwasher (1/4)
12.	11-125100-001	Hex Nut (1/4-20)
13.	12-150106-000	Lower Clamp Plate
	12-860228-600	Advanced Performance Turret Clamp Plates Kit
14.	12-150296-000	Turret Pin Guide (Pins 1, 7, & 10 Outside)
15.	12-150295-000	Guide Wire (Pins 1, 7 & 10 Inside)
16.	12-862113-000	Turret Pin Guide Wire
17.	12-150311-000	Bottom Wire Form
18.	12-150309-000	Rod
19.	12-150310-000	Top Wire Form

Turret Pin Guide



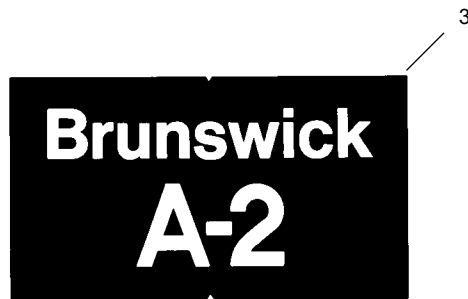
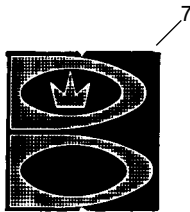
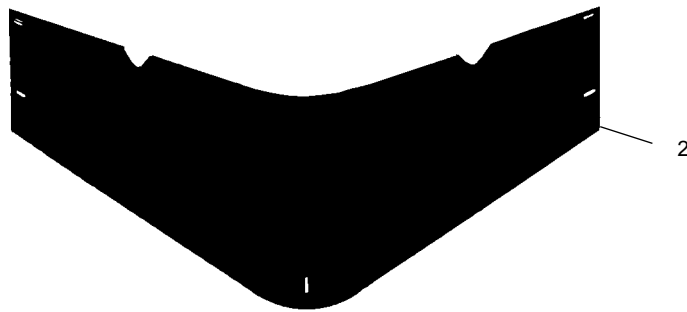
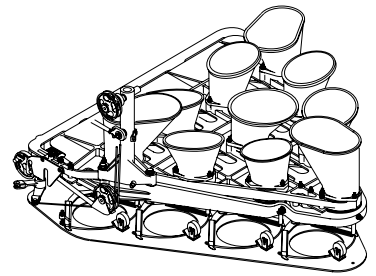
Turret Pin Guide

Section D

Deck

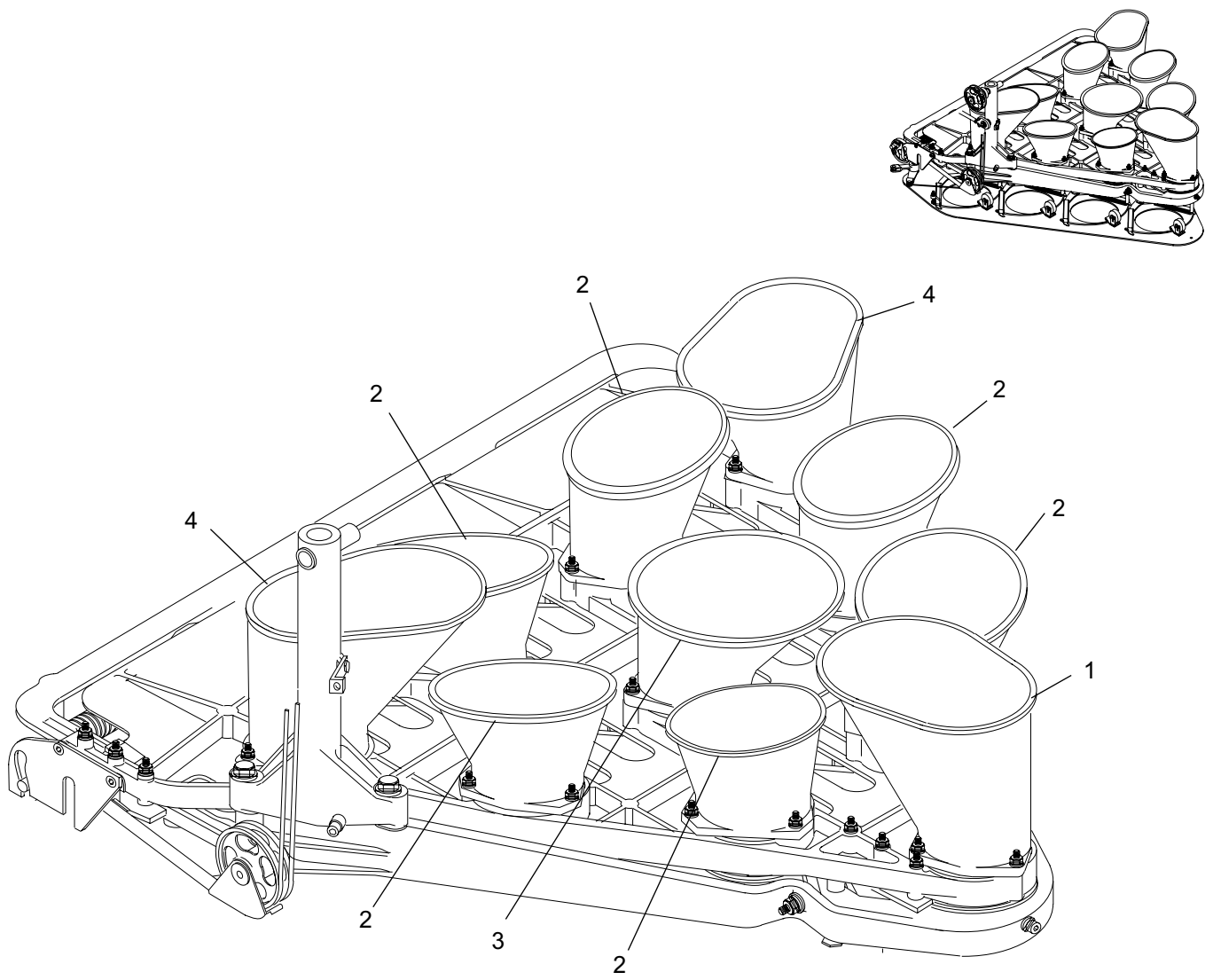
Index	Part Number	Description
1.	12-862037-010	Brown Deck Shield Assembly
2.	12-862037-002	Grey Deck Shield Assembly (w/o Decal)
3.	12-202194-000	Deck Shield Decal
4.	12-202177-000	Deck Shield Decal
5.	N.A.	Decal
6.	12-502418-000	Deck Shield Decal
7.	12-200142-000	Decal
8.	N.A.	Decal

N.A. = No Longer Available



Deck Shield

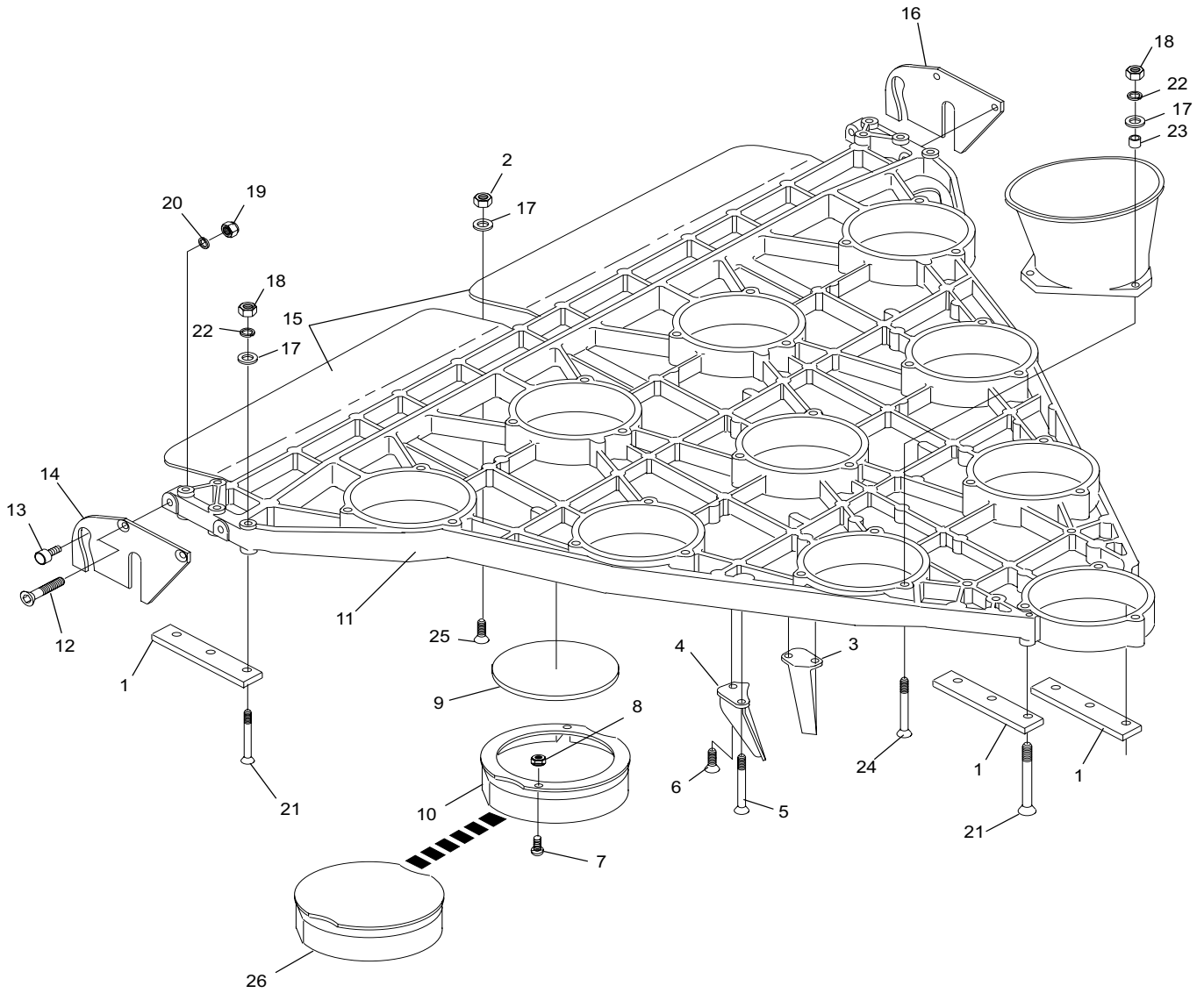
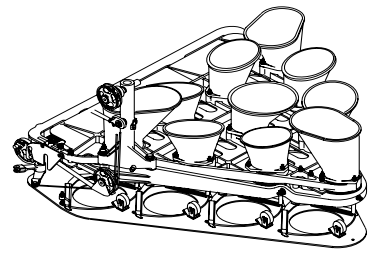
Index	Part Number	Description
1.	12-200808-602	AP Urethane Deck Chute (#1)
	12-200808-002	Rubber Deck Chute (#1)
	12-200864-002	Deck Chute (#1)
2.	12-200900-600	AP Urethane Multi-Position Deck Chute
	12-200900-000	Rubber Multi-Position Deck Chute
	12-200894-000	Deck Chute (#2, 3, 4, 6, 8, 9)
3.	12-200836-600	Urethane Deck Chute (#5)
	12-200837-000	Rubber Deck Chute (#5)
	12-200895-000	Deck Chute (#5)
4.	12-200808-603	AP Urethane Deck Chute (#7, 10)
	12-200808-003	Rubber Deck Chute (#7, 10)
	12-200864-003	Deck Chute (#7, 10)



Deck Assembly

Index	Part Number	Description
1.	12-200089-000	Track
2.	11-170007-001	Hex Nut Nylock (1/4-20)
3.	12-200892-000	R.H. Spotting Finger
	90-200892-000	R.H. Nylon Spotting Finger
4.	12-200893-000	L.H. Spotting Finger
	90-200893-000	L.H. Nylon Spotting Finger
5.	11-007197-001	Flat Head Socket cap Screw (1/4-20 x 3-1/4")
	11-001198-001	Hex Head Cap Screw (1/4-20 x 3-1/2")
6.	11-007186-001	Flat Head Socket Cap Screw (1/4-20 x 1-1/4")
	11-001186-001	Hex Head Bolt (1/4-20 x 1-1/4")
7.	11-015165-001	Hex Head Socket Cap Screw (10-24 x 5/8")
	11-018087-001	Screw with Lock Washer Assembly (10-24 x 5/8"), for S/N 67499 and below
8.	11-176006-001	Keps Nut (#10-24)
9.	12-200162-000	Switch Plate
10.	12-860570-000	Non-Pinfinder Deck Pads (Pkg. of 10)
11.	12-862117-000	Moving Deck Assembly
12.	11-007352-001	Flat Head Socket Cap Screw (3/8-16 x 2")
13.	11-480001-000	Cam Follow Needle Bearing
14.	12-200035-000	L.H. Geneva Plate
15.	12-200862-000	Pin Deflector
16.	12-200036-000	R.H. Geneva Plate
17.	11-190010-001	Flat Washer (1/4)
18.	11-125100-001	Hex Nut (1/4-20)
19.	11-125104-001	Hex Nut (3/8-16)
20.	11-195016-001	Lockwasher (3/8)
21.	11-007195-001	Flat Head Socket Cap Screw (1/4-20 x 2-3/4")
22.	11-195014-001	Lockwasher (1/4)
23.	12-200047-003	Spacer
24.	11-001196-001	Hex Head Cap Screw (1/4-20 x 3")
25.	11-001185-001	Hex Head Cap Screw (1/4-20 x 1-1/8")
26.	12-860571-000	Pinfinder Deck Pads (Pkg. of 10)

Moving Deck



Moving Deck

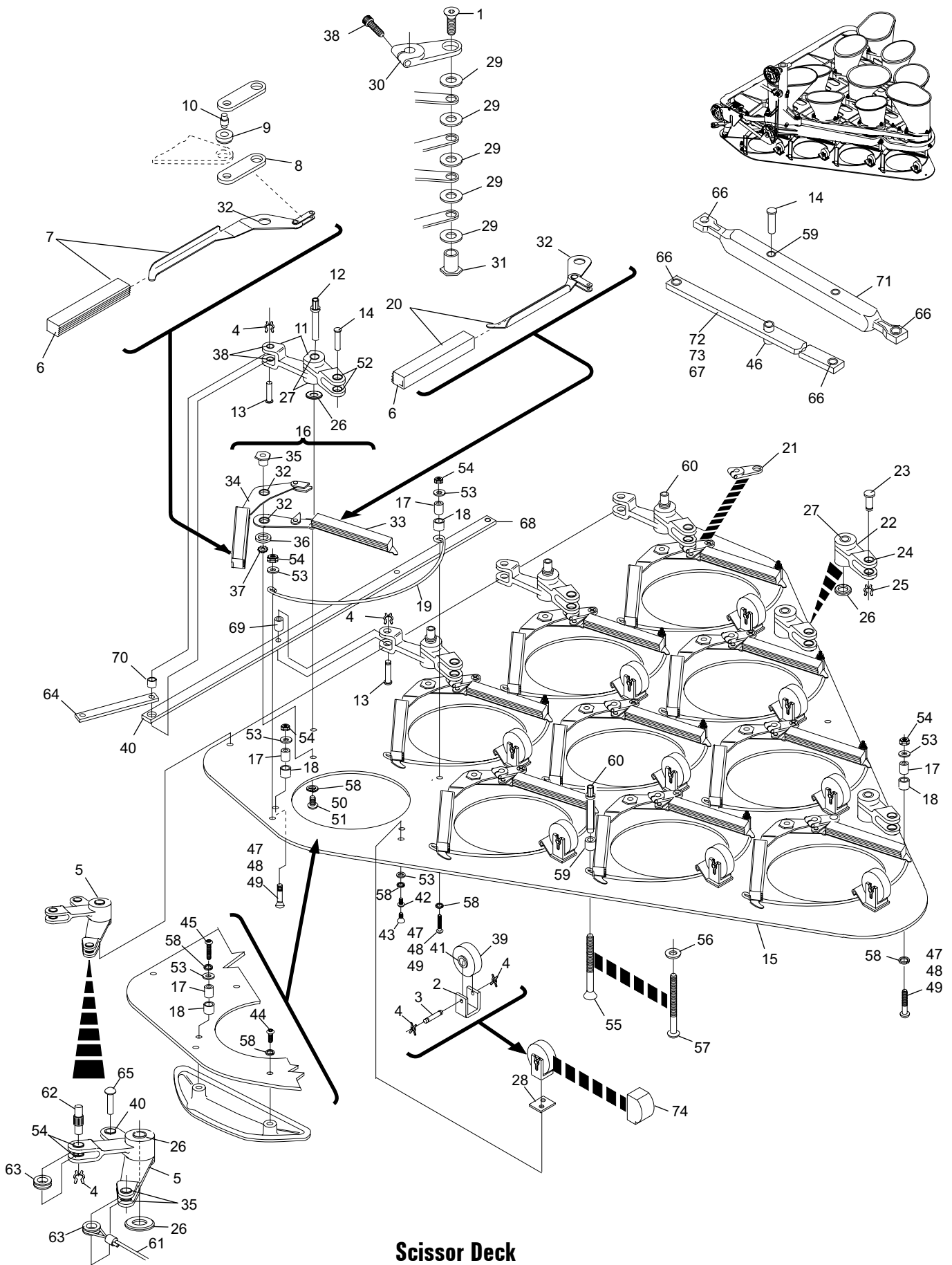
Index	Part Number	Description	Index	Part Number	Description
1.	11-007182-001	Flat Head Socket Cap Screw (1/4-20 x 3/4")	44.	11-006182-001	Button Head Socket Cap Screw (1/4-20 x 3/4")
2.	12-200038-000	Roller Bracket	45.	11-006188-001	Button Head Socket Cap Screw (1/4-20 x 1-1/2")
3.	12-100166-031	Pin	46.	12-200863-000	Flanged Bearing
4.	11-230002-001	"X" Washer (5/32)	47.	11-006186-001	Button Head Socket Cap Screw (1/4-20 x 1-1/4")
5.	12-200023-000	Toggle Lever Assembly, See Note 1	48.	11-007186-001	Flat Head Socket Cap Screw (1/4-20 x 1-1/4")
6.	12-200120-004	Scissor Gripper Pad	49.	11-007188-001	Flat Head Hex Socket Cap Screw (1/4-20 x 1-1/2"), for machines with finishing washers
7.	12-200017-092	Scissor Arm Assembly	50.	11-006180-001	Button Head Socket Cap Screw (1/4-20 x 5/8")
8.	12-200026-000	Link (Scissor Arm)	51.	11-007180-001	Flat Head Socket Cap Screw (1/4-20 x 5/8")
9.	12-200105-000	Flanged Oilite Bearing	52.	11-420056-000	Bearing (.3775 I.D. X .5025 O.D.)
10.	12-200027-000	Shoulder Pin	53.	11-190010-000	Flat Washer (1/4)
11.	12-200020-000	Distributing Lever Assembly	54.	11-125100-001	Hex Nut (1/4-20)
12.	12-200109-000	Hardened Stud	55.	11-007198-001	Flat Head Socket Cap Screw (1/4-20 x 3-1/2")
13.	12-200081-003	Pin	56.	12-200896-000	Finishing Washer
14.	12-200061-000	Drag Link Pin	57.	11-007200-001	Flat Head Socket Cap Screw (1/4-20 x 4")
15.	12-200003-000	Scissor Deck, See Note 2	58.	11-199005-001	Internal Tooth Lockwasher (1/4)
16.	12-200016-091	Scissor Arm Assembly - Complete	59.	12-200103-000	Bearing
17.	12-200041-000	Spacer	60.	12-200110-000	Stud
18.	12-200032-000	Neoprene Stop	61.	12-200067-000	Scissor Cable Assembly
19.	12-200094-000	Wire	62.	12-200152-003	Knurled Pin
20.	12-200019-092	Scissor Arm	63.	12-200048-000	Wheel
21.	11-005182-001	HexHead Socket Cap Screw (1/4-20 x 3/4")	64.	12-200045-000	Link
22.	12-200051-000	Connecting Tube Assembly	65.	12-200081-002	Pin
23.	12-200170-000	Flanged Pin	66.	11-420007-000	Bearing (.3765 I.D. X .503 O.D.)
24.	11-420070-000	Sleve Oilite Bearing	67.	12-200014-000	Connecting Rod Assembly
	11-421006-000	Flanged Bronze Bearing	68.	12-200139-000	Connecting Rod Assembly
25.	11-230003-001	"X" Washer (3/16)	69.	12-200140-002	Spacer
26.	11-422002-000	Bearing (.510 I.D. X 1.000 O.D.)	70.	12-200140-003	Spacer
27.	11-483001-000	Needle Roller Bearing	71.	N.A.	Connecting Rod
28.	12-200865-000	Plate	72.	12-200012-000	Connecting Rod Assembly
29.	12-200031-003	Nylon Washer	73.	12-200013-000	Rod Assembly
	12-200031-004	Nylon Washer	74.	90-200114-600	A-2 Pinsetter Urethane Deck Bumper AP
30.	12-200039-000	Drag Link			
31.	12-200028-000	Shoulder Pin			
32.	12-200104-000	Flanged Oilite Bearing			
33.	12-200018-000	Scissor Arm Assembly			
34.	12-200016-000	Scissor Arm Assembly			
35.	12-200029-000	Stud			
36.	12-200059-002	Washer			
37.	11-198005-001	External Tooth Lockwasher (1/4)			
38.	11-420055-000	Bearing (.3155 I.D. X .4395 O.D.)			
39.	12-200114-000	Rubber Deck Roller Assembly			
	12-200115-000	Rubber Deck Roller Only			
	90-200114-000	Urethane Deck Roller			
40.	11-483000-000	Needle Roller Bearing			
41.	11-423000-000	Sleve Oilite Bearing			
42.	11-006218-000	Button Head Socket Cap Screw (1/4-28 x 1/2")			
43.	11-007216-001	Flat Head Socket Cap Screw (1/4-28 x 3/8")			

N.A. = No Longer Available

NOTE 1: Order 2 each 11-420070-000 Bearing and 2 each 11-200152-003 Knurled Pin.

NOTE 2: Need to order 10 of adapter plates 12-200865-000

Scissor Deck



Scissor Deck

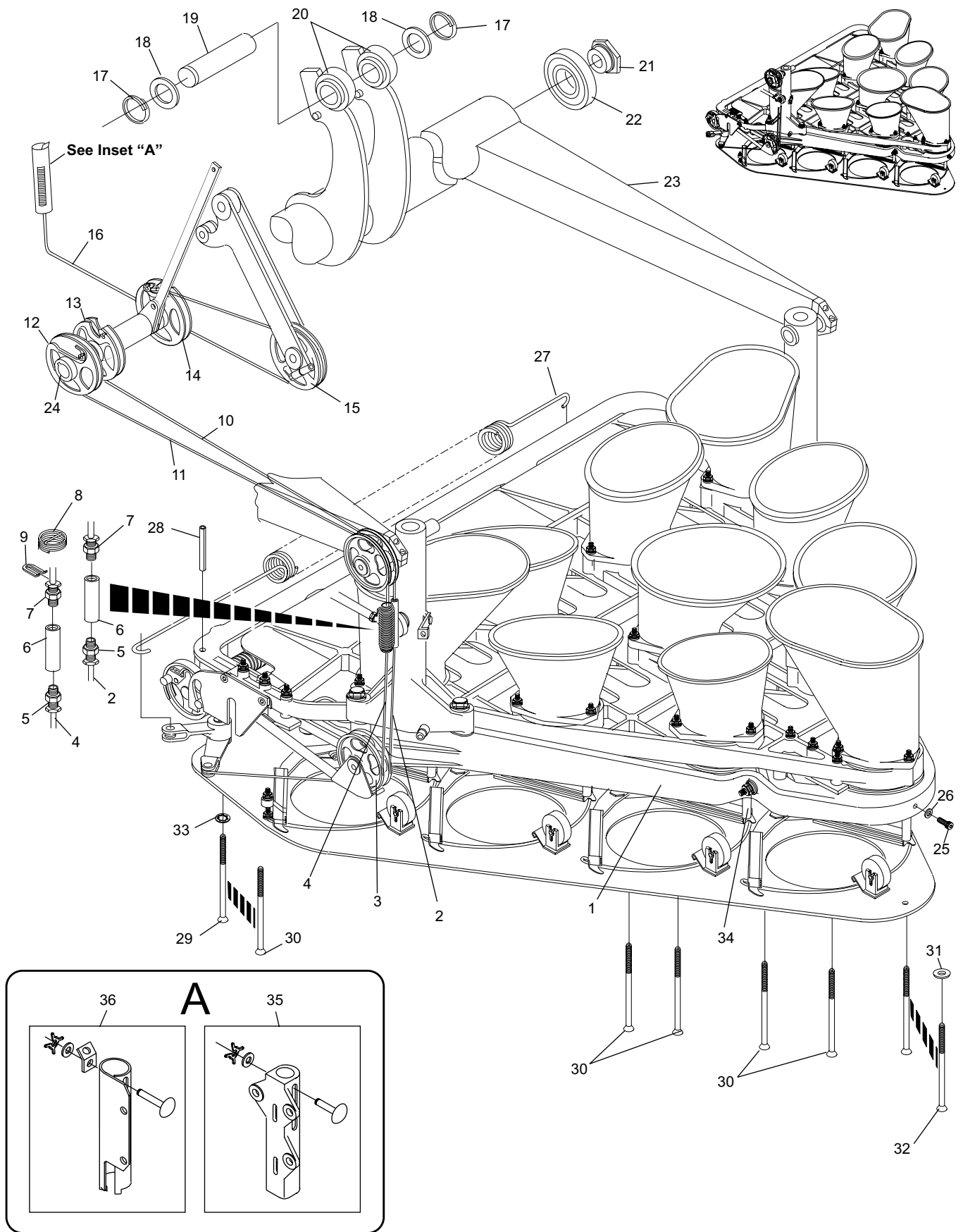
Index	Part Number	Description
1.	12-862117-000	Moving Deck Assembly
2.	12-200067-000	Scissor Cable Assembly
3.	12-200055-000	Pulley Assembly
4.	12-200066-004	Cable Assembly
5.	11-125259-001	Hex Jam Nut (1/2-20)
6.	12-200069-000	Barrel
7.	11-125209-001	Hex Jam Nut (1/2-20)
8.	12-200125-000	Keeper Spring
9.	12-200099-000	Spring Retainer
10.	12-200066-002	Cable Assembly
11.	12-200066-003	Cable Assembly
12.	12-350029-000	Moving Deck Pulley
13.	12-350033-000	Scissor Pulley Assembly, see page 14K for breakdown
14.	12-350030-000	Moving Deck Pulley
15.	12-100081-000	Pulley Assembly
16.	12-100280-000	Moving Deck Cable Assembly
17.	11-533512-000	External Spirol Retaining Ring
18.	12-100170-017	Washer
19.	12-350166-000	Shaft (4-13/16"), for machines 71,489 and up
	12-350035-000	Shaft (4-9/16"), for machines prior to 71,489
20.	11-461000-000	Needle Roller Bearing
21.	12-350009-000	Bearing Stud
22.	11-490001-000	Ball Bearing
23.	12-862581-000	Deck Lift Shaft Assembly
24.	12-350032-000	Pulley Shaft
25.	11-003182-000	Hex Socket Cap Screw
26.	11-190010-001	Flat Washer (1/4)
27.	12-200022-000	Scissor Spring
28.	11-345522-000	Roll Pin - (.375 x 2-1/2")
29.	N.A.	Button Head Socket Cap Screw, for machines prior to S/N 6140- See Note 1
30.	11-007198-001	Flat Head Socket Cap Screw (1/4-20 x 3-1/2")
31.	12-200896-000	Finishing Washer
32.	11-007200-001	Flat Head Socket Cap Screw (1/4-20 x 4")
33.	11-199005-001	Internal Tooth Lockwasher (1/4)
34.	12-200110-000	Stud
35.	N.A.	Spring Tube, See Note 2
	12-100078-000	Switch Actuator Pin
	11-190010-001	Flat Washer (1/4)
	11-230001-001	"X" Washer (1/8")
36.	12-100479-000	Spring Tube
	12-100483-000	Switch Actuator Pin
	11-190010-001	Flat Washer (1/4)
	11-230010-001	"X" Washer (1/8")

N.A. = No Longer Available

NOTE 1: Order 1 each 11-007200-000 and 1 each 12-200896-000.

NOTE 2: To replace order: (1) 12-100479-000, (1) 12-100481-000,
(1) 12-100482-000, (1) 12-100483-000, and (1) 12-100478-000

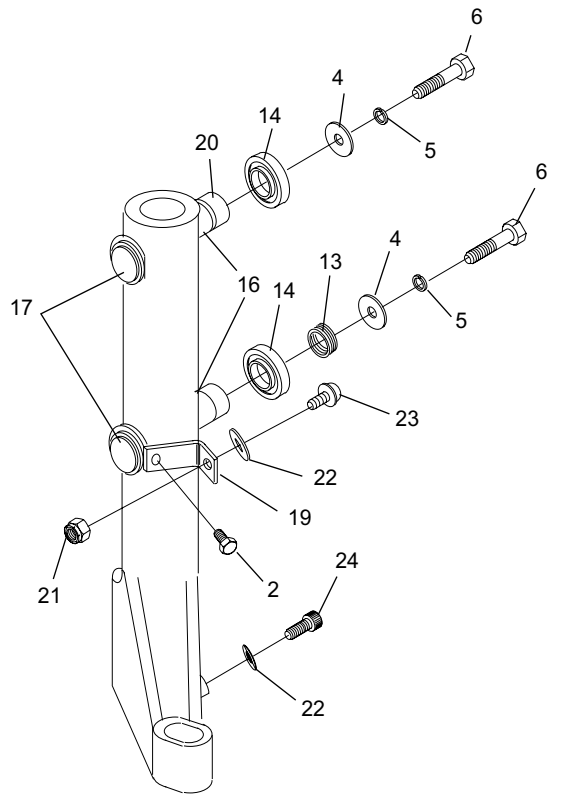
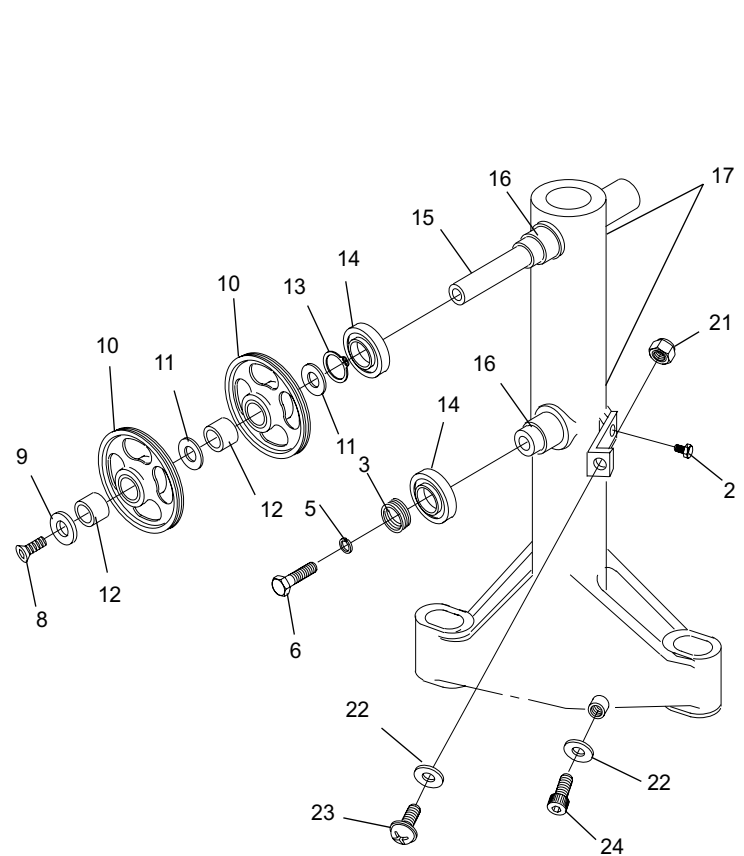
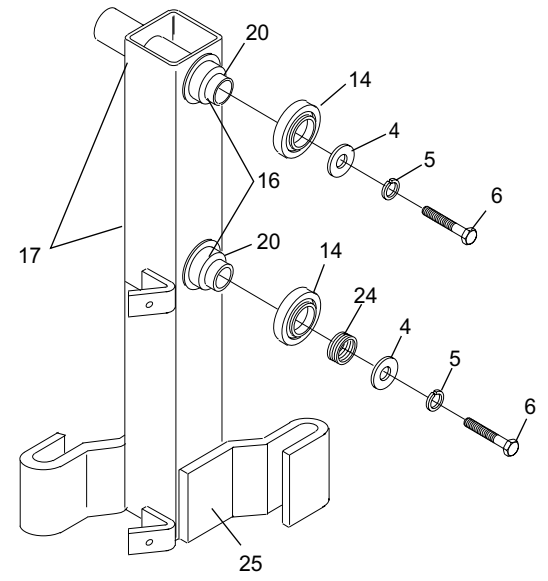
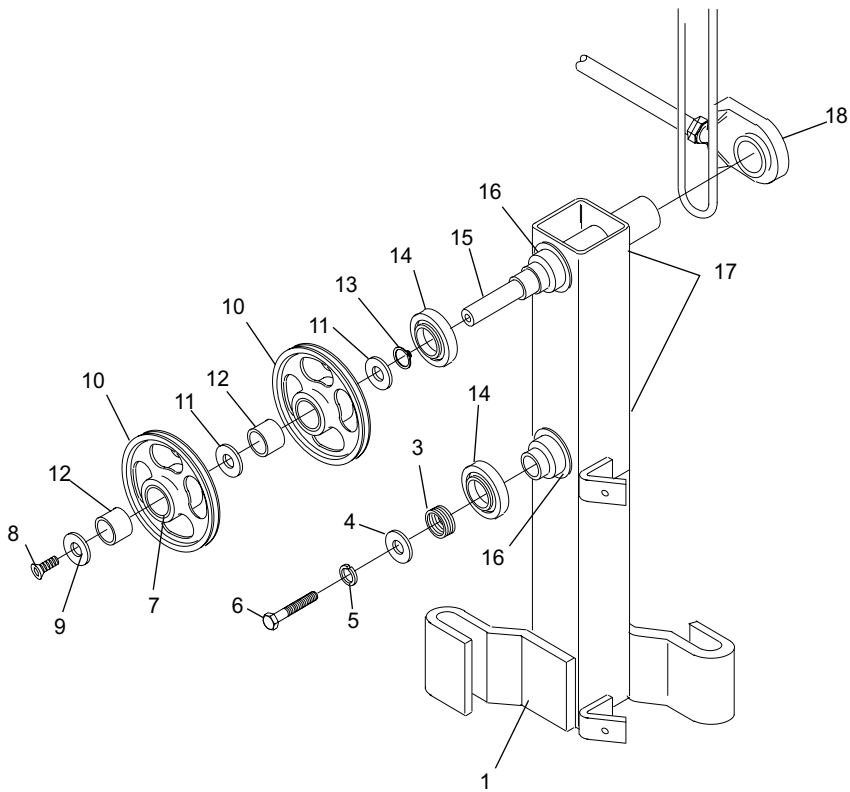
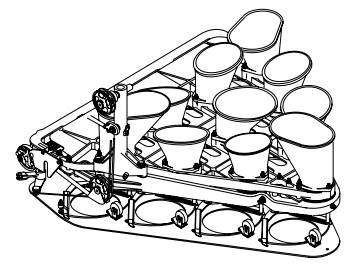
Deck Assembly



Deck Assembly

Index	Part Number	Description
1.	12-200135-000	L.H. Deck Post & Hardware
2.	11-001180-001	Hex Head Cap Screw (1/4 x 5/8")
3.	12-350122-005	Retaining Ring
4.	12-350128-000	Washer
5.	11-195016-001	Lockwasher (3/8)
6.	11-001344-001	Hex Head Cap Screw (3/8-16 x 1")
7.	11-484000-000	Bearing
8.	11-007180-001	Flat Head Socket Cap Screw (1/4-20 x 5/8")
9.	12-200065-002	Washer
10.	12-200055-000	Pulley Assembly
11.	12-200059-003	Washer
12.	11-450202-000	Ball Bearing
13.	11-530030-001	External Retaining Ring
14.	11-431000-000	Ball Bearing
15.	12-200129-000	Pin
16.	12-202188-000	Spacer
17.	11-530033-000	External Retaining Ring (.992 I.D.)
18.	12-350217-000	Stabilizer Assembly
19.	12-200124-000	Bracket
20.	12-200128-000	Pin
21.	11-170007-001	Hex Nut Nylock (1/4-20)
22.	11-190010-001	Flat Washer (1/4)
23.	11-020287-000	Truss Head Socket Cap Screw
24.	11-003182-000	Hex Socket Cap Screw
25.	12-200134-000	R.H. Deck Post & Hardware

Deck Posts

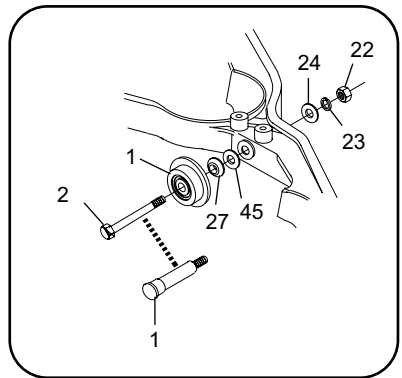
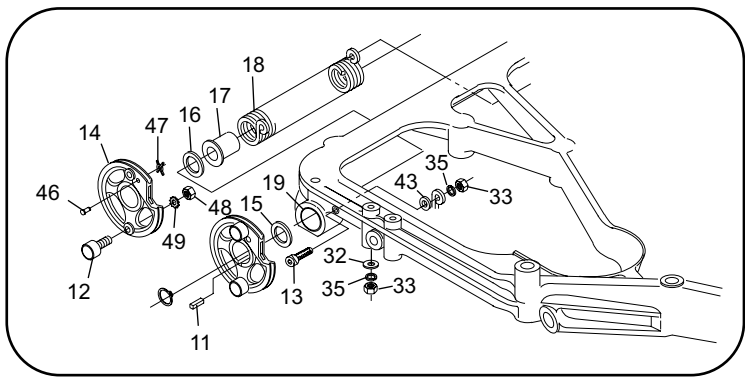
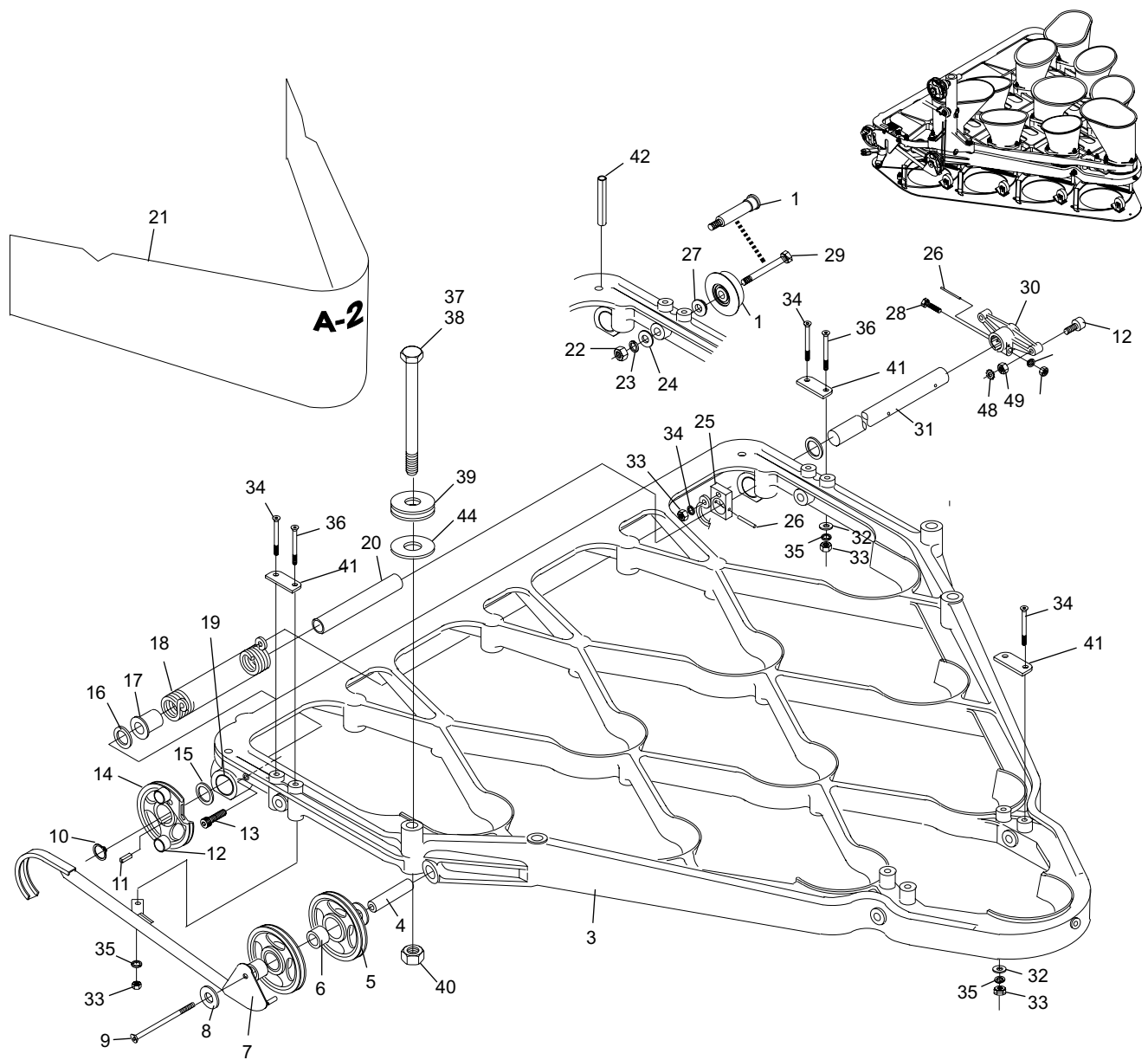


Deck Posts

Index	Part Number	Description
1.	12-200126-000	Wheel Assembly (For machines S/N #18001 & up)
	12-200133-000	Wheel & Screw Assembly (For machines prior to S/N 18001)
2.	11-001440-001	Hex Head Socket Cap Screw (7/16-14 x 4")
3.	12-200800-020	Deck & Stud Assembly
4.	12-200054-000	Stud
5.	12-200055-000	Pulley Assembly
6.	11-450202-000	Ball Bearing
7.	12-200097-000	Cable Guide Assembly
8.	12-200065-002	Washer
9.	11-007203-001	Flat Head Socket Cap Screw (1/4-20 x 4-3/4")
10.	11-530028-000	External Retaining Ring
11.	12-200084-002	Key
12.	11-480001-000	Cam Follow Needle Bearing
13.	11-005190-001	Hex Head Socket Cap Screw
14.	12-200011-000	Deck Drive Pulley
15.	11-422001-000	Bearing (.891 I.D. X 1.375 O.D.)
16.	12-200059-004	Washer
17.	11-421022-000	Bearing (.877 I.D. X 1.128 O.D.)
18.	12-200025-000	Torsion Spring
19.	11-483005-000	Needle Roller Bearing (7/8 I.D. X 1 1/8 O.D.)
20.	12-200136-000	Plastic Spring Tube
21.	12-862037-002	Grey Deck Shield Assembly
	12-862037-010	Brown Deck Shield Assembly
22.	11-125104-001	Hex Nut (3/8-16)
	N.A.	Hex Nut, for S/N 18,001 and up
23.	11-195016-001	Lockwasher (3/8)
24.	11-190014-001	Flat Washer (3/8)
25.	12-200053-000	Anchor
26.	11-345316-000	Roll Pin (3/16 x 1-1/2")
27.	12-200091-000	Spacer
28.	11-001272-001	Hex Head Cap Screw (5/16-18 x 2")
29.	12-200127-000	Special Hex Head Socket Cap Screw (5/8 x 3-1/16")
30.	12-200058-000	Deck Ball Crank
31.	12-200033-000	Shaft
32.	11-190010-001	Flat Washer (1/4)
33.	11-125100-001	Hex Nut (1/4-20)
34.	11-007195-001	Flat Head Socket Cap Screw (1/4-20 x 2-3/4")
35.	11-195014-001	Lockwasher (1/4)
36.	11-007197-001	Flat Head Socket Cap Screw (1/4-20 x 3-1/4")
37.	11-002383-000	Hex Head Socket Cap Screw (5/8-11 x 7")
38.	11-002389-000	Hex Head Socket Cap Screw (5/8-11 x 7-1/2)
39.	11-190022-001	Flat Washer (5/8)
40.	11-170019-001	Self-Locking Nut (5/8-11)
41.	12-200090-000	Plate
42.	11-345522-000	Roll Pin - (.375 x 2-1/2")
43.	N.A.	Washer
44.	N.A.	Shim .015 as Required
45.	12-200111-000	Deck Shim
46.	N.A.	X-Washer Pin - .250 x 1/2"
47.	11-230001-001	X-Washer (1/8)
48.	11-125101-001	Hex Nut (1/4-28)
49.	11-198005-001	External Tooth Lockwasher (1/4)

N.A. = No Longer Available

Stationary Deck



Stationary Deck

Section E

Pit Cushion

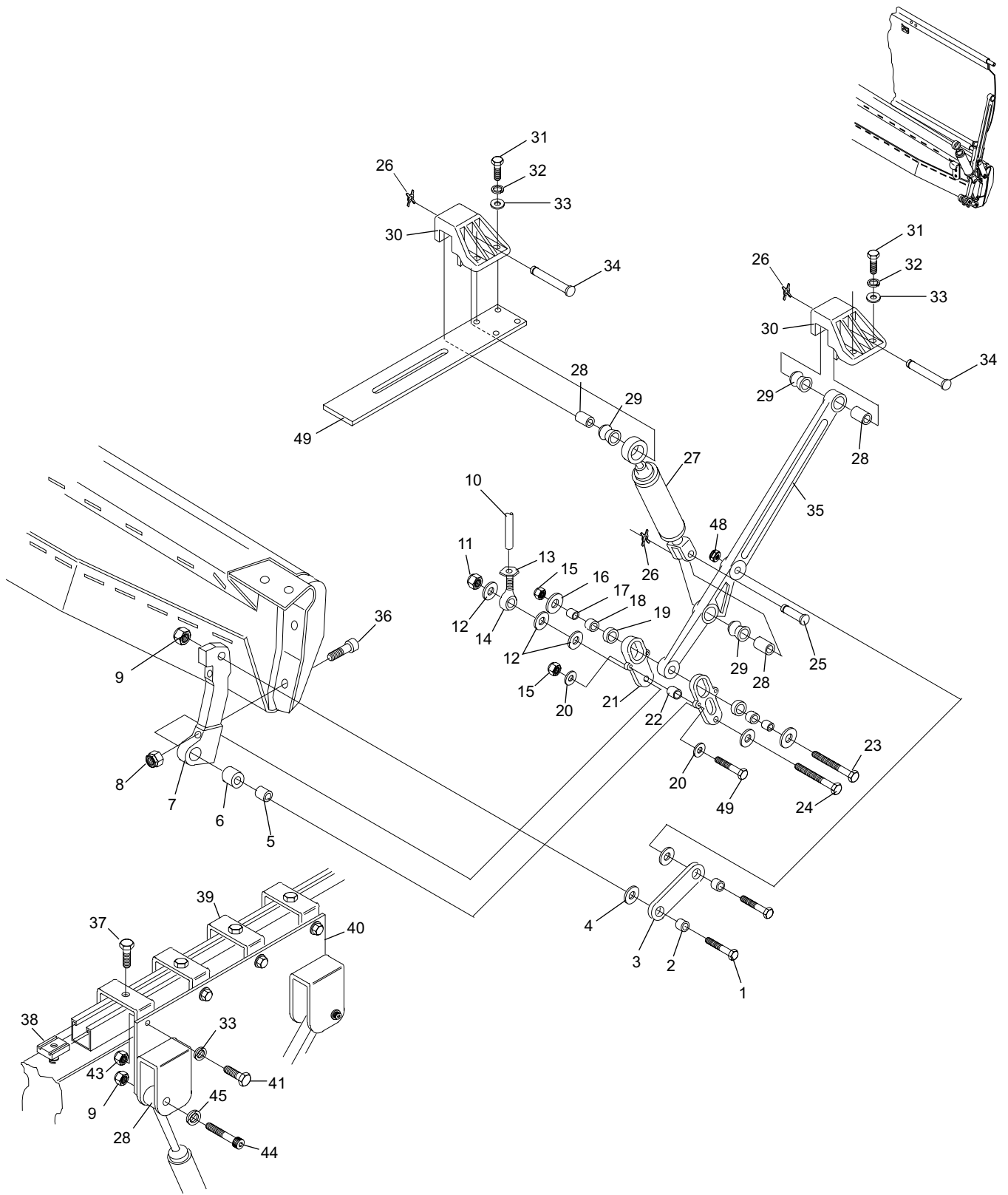
Index

No.	Part No.	Description
1.	12-252352-000	Cushion Arm Bolt
2.	12-252350-000	Bushing
3.	12-252069-000	Link
4.	12-252360-000	D-Washer
5.	12-100185-036	Spacer
6.	10-424001-000	Sleeve Oilite Bearing
7.	12-252341-002	Cushion Mount & Bracket Assembly
8.	11-170012-001	Hex Nut Nylock (3/8-24)
9.	11-170016-001	Hex Nut Nylock (1/2-20)
10.	12-252364-002	Tube
11.	11-121523-000	Hex Nut w. Nylon Cap
12.	11-190520-001	Plain Washer
13.	11-125259-001	Hex Jam Nut (1/2-20)
14.	12-252060-000	Uniball Rod End
15.	11-121519-001	Hex Nut
16.	11-190512-001	Flat Washer
17.	12-252349-0	00 Follower Spacer
18.	11-420094-000	Sleeve Oilite Bearing
19.	12-252351-000	Roller
20.	11-190511-001	Flat Washer
21.	12-252346-000	Tube
22.	10-386092-000	Spacer
23.	10-002001-000	Hex Head Cap Screw (3/8-24 x 2-3/4")
24.	10-002006-000	Hex Head Cap Screw (1/2-20 x 3 1/2")
25.	10-229601-000	X-Washer Pin
26.	11-230005-001	"X" Washer (1/4)
27.	12-252173-000	"A-2" Shock Absorber
28.	12-250011-002	Spacer
29.	12-250189-000	Rubber Bushing
30.	12-252344-000	Cushion Bracket
31.	11-001344-001	Hex Head Cap Screw (3/8-16 x 1")
32.	11-195016-001	Lockwasher (3/8)
33.	11-190014-001	Flat Washer (3/8)
34.	10-229602-000	X-Washer Pin
35.	12-252073-000	Support Arm
36.	10-009001-001	Hex Socket Head Cap Screw (3/8-24 x 2-1/16")
37.	11-001508-001	Hex Head Cap Screw (1/2-13 x 1-1/2"), See Note
38.	11-180006-001	Clamping Nut & Spring (1/2-13")
39.	12-252006-000	"U" Bracket
40.	12-252005-002	R.H. Mounting Bracket
	12-252005-003	L.H. Mounting Bracket
41.	11-001346-001	Hex Head Cap Screw (3/8-16 x 1-1/4")
42.	11-121522-000	Nut
43.	11-170011-001	Hex Nut Nylock (3/8-16)
44.	11-005514-000	Hex Head Socket Cap Screw (1/2-13 x 2-1/2")
45.	11-190018-001	Flat Washer (1/2)
46.	11-001394-001	Hex Head Cap Screw (3/8-24 x 2-1/2")
47.	12-862015-000	Rod End Conversion Kit
48.	*12-862580-000	Cushion Arm Rebuilding Kit
49.	12-252348-000	Elevator Plate

* Not Illustrated

NOTE 1: Plain washers are used, etc.

Pit Cushion Support (Model A-2)



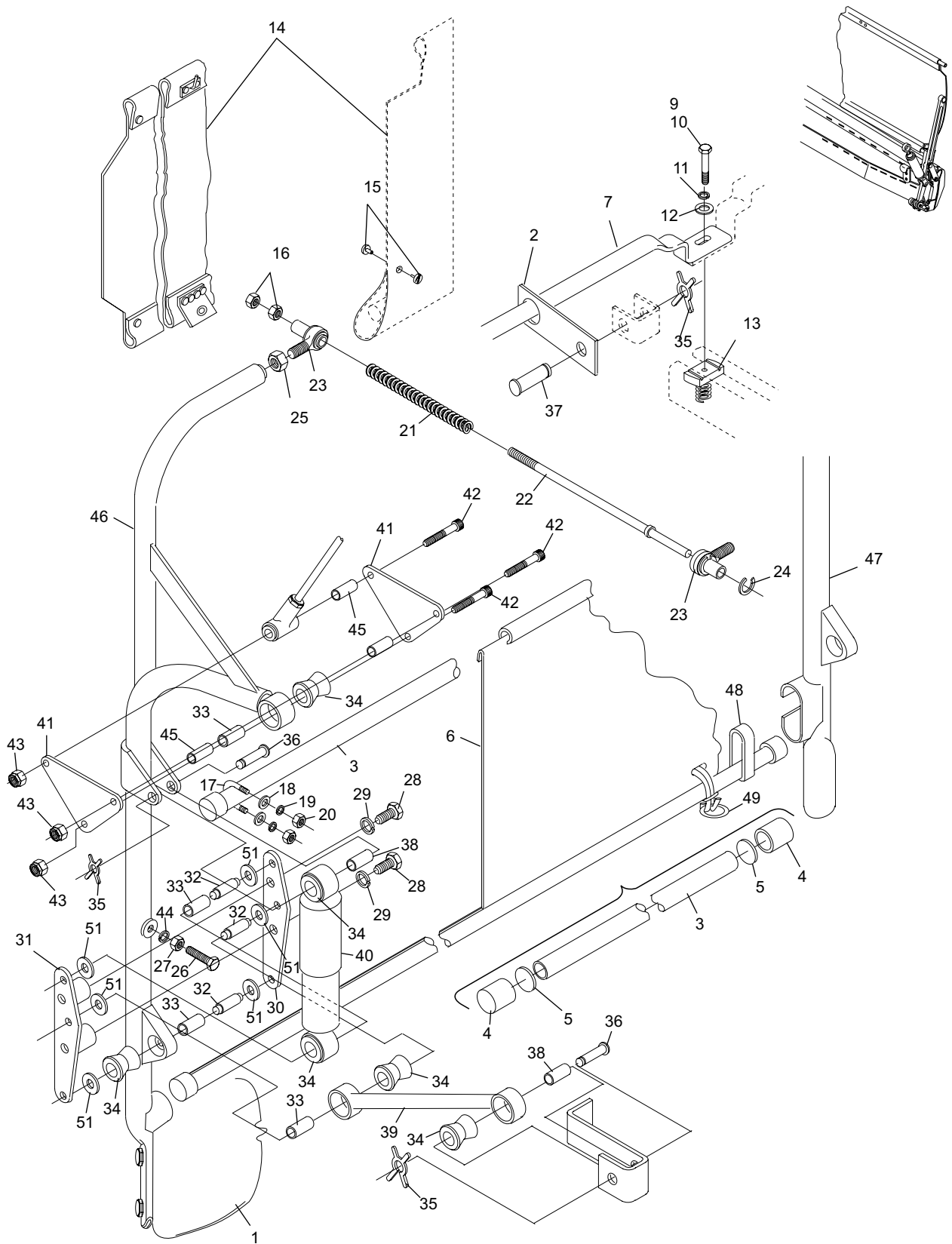
Pit Cushion Support (Model A-2)

Index

No.	Part No.	Description
1.	12-862578-000	Pit Cushion Assembly
2.	N.A.	Bracket, for machines prior to S/N 7362
3.	N.A.	Rod
4.	12-250153-000	Rod End
5.	12-250152-000	Disc Rod End
6.	N.A.	Surlyn Curtain
7.	N.A.	Curtain Hanger, for machines prior to S/N 7362
8.	12-250076-002	Fiber Washer
9.	11-001184-001	Hex Head Cap Screw (1/4-20 x 1")
10.	11-001186-001	Hex Head Bolt (1/4-20 x 1-1/4")
11.	11-195014-001	Lockwasher (1/4)
12.	11-190010-001	Flat Washer (1/4)
13.	11-180002-001	Clamping Nut & Spring (1/4-20)
14.	12-862167-000	Rubber Pit Curtain
15.	N.A.	Binder Post and Screw
16.	11-125202-001	Hex Jam Nut (5/16-18)
17.	12-250168-000	U-Bolt
18.	11-190012-001	Flat Washer - SAE (5/16)
19.	11-195015-001	Lockwasher (5/16)
20.	11-125103-001	Hex Nut (5/16-24)
21.	12-250077-000	Trip Spring
22.	12-250081-000	Trip Rod Assembly
23.	12-250160-000	Rod End & Sleeve Assembly
24.	N.A.	Snap Ring
25.	11-125209-001	Hex Jam Nut (1/2-20)
26.	12-250089-000	Hex Head Socket Cap Screw
27.	11-125204-001	Hex Jam Nut (3/8-16)
28.	11-001544-001	Hex Head Socket Cap Screw (1/2-20 x 1")
29.	11-195018-001	Lockwasher (1/2)
30.	12-250069-000	Link
31.	12-250067-000	L.H. Link Assembly
	12-250068-000	R.H. Link Assembly
32.	12-250065-000	Pin
33.	12-250075-000	Sleve Oilite Bearing
34.	12-250189-000	Rubber Bushing
35.	11-230005-001	"X" Washer (1/4)
36.	12-250010-006	X-Washer Pin
37.	N.A.	Pin
38.	12-250011-002	Spacer
39.	N.A.	Link Assembly
40.	12-250173-000	"A" Shock Absorber
41.	12-250016-000	Link Plate
42.	11-005354-001	Hex Head Socket Cap Screw (3/8-16 x 2-1/2")
43.	11-170011-001	Hex Nut Nylock (3/8-16)
44.	11-195016-001	Lockwasher (3/8)
45.	12-250011-003	Spacer
46.	12-250073-000	L.H. Pit Cushion Arm Assembly
47.	12-250074-000	R.H. Pit Cushion Arm Assembly
48.	12-250257-085	Retainer (Package of 10)
49.	N.A.	Retainer, shock cord

N.A. = No Longer Available

Pit Cushion Support (Model A)

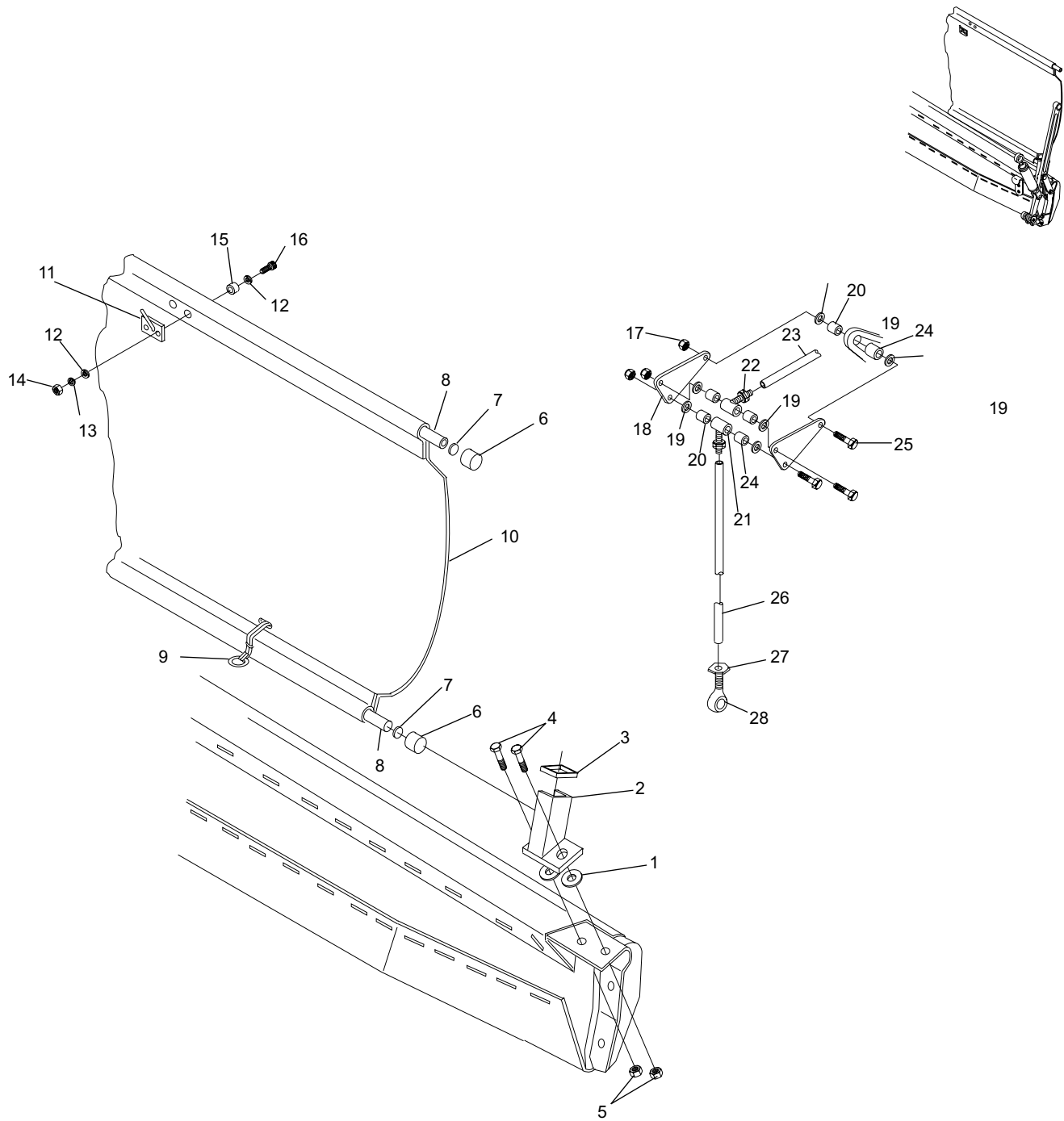


Pit Cushion Support (Model A)

Index

No.	Part No.	Description
1.	10-386096-000	Spacer (11/32 x 7/64)
2.	12-252269-000	L.H. Curtain Rod Bracket
	12-252268-000	R.H. Curtain Rod Bracket
3.	12-252061-000	Curtain Rod Retainer
4.	11-002094-001	Hex Head Socket Cap Screw (5/16-24 x 1")
5.	11-170010-001	Hex Nut Nylock (5/16-24)
6.	12-250153-000	Rod End
7.	12-250152-000	Disc Rod End
8.	N.A.	Curtain Rod
9.	N.A.	Surlyn Curtain Retainer
10.	12-862167-000	Rubber Pit Curtain
11.	12-250823-000	Hook Assembly
12.	11-190006-001	Flat Washer - SAE (#10)
13.	11-195010-001	Lockwasher (#10)
14.	11-125005-001	Hex Nut (#10-32)
15.	10-386115-000	Spacer (7/32 x 3/8)
16.	N.A.	Round Head Socket Cap Screw (10-32 x 1")
17.	11-170011-001	Hex Nut Nylock (3/8-16)
18.	12-252359-000	Link Plate
19.	12-250076-002	Fiber Washer
20.	12-250011-003	Spacer
21.	12-252365-000	Rod End
22.	11-125209-001	Hex Jam Nut (1/2-20)
23.	12-252364-003	Tube
24.	12-250248-000	Sleeve Oilite Bearing
25.	11-001354-001	Hex Head Cap Screw (3/8-16 x 2-1/2")
26.	12-252364-002	Tube
27.	11-125259-001	Hex Jam Nut (1/2-20)
28.	12-252060-000	Uniball Rod End

N.A. = No Longer Available



Pit Cushion/Pit Curtain

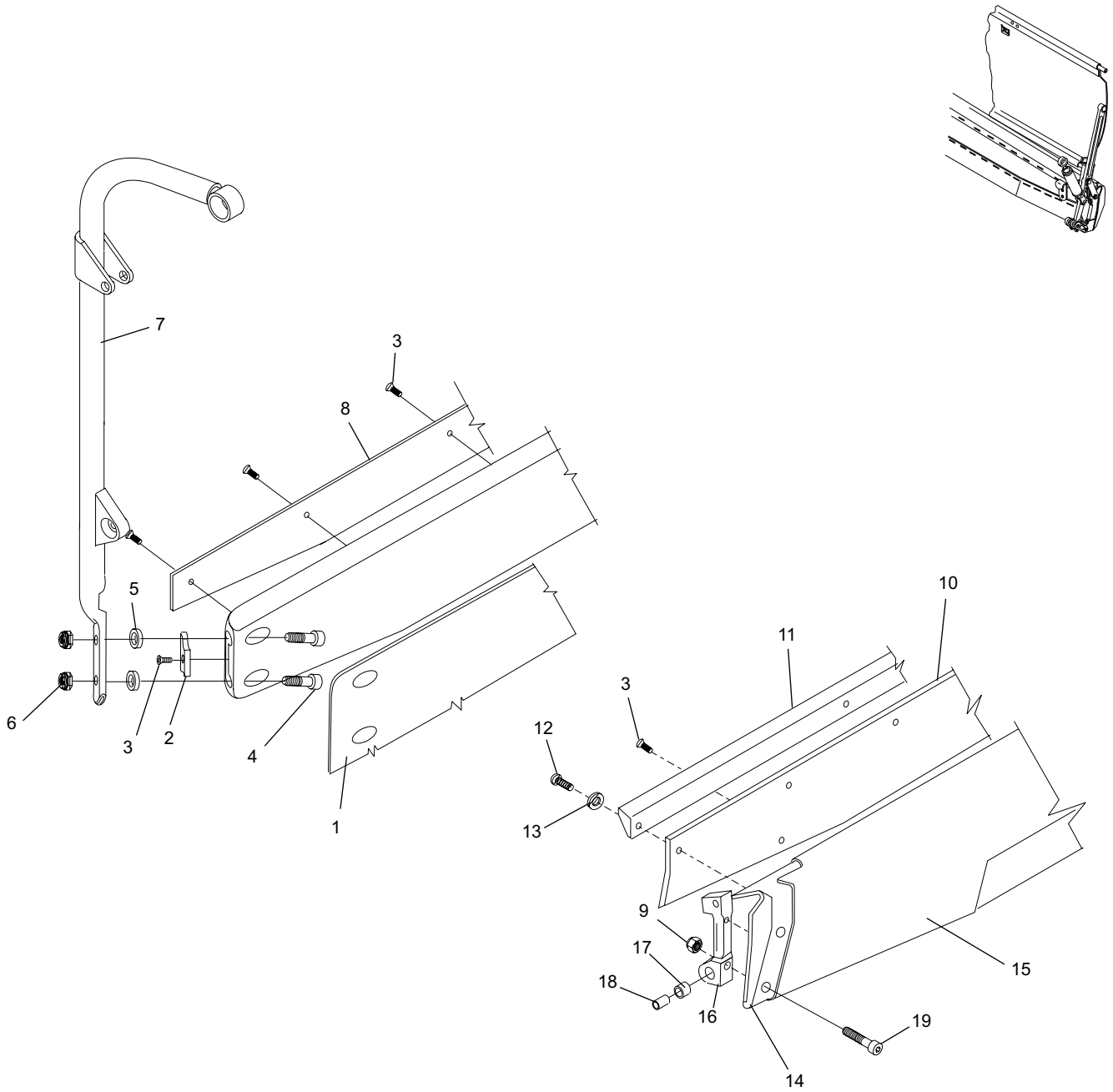
Index

No.	Part No.	Description
1.	12-250286-000	"A" Stamp-On Facing
2.	N.A.	End Tacking Board
3.	11-007300-001	Flat Head Socket Cap Screw (5/16-24 x 5/8")
4.	11-005553-001	Hex Head Socket Cap Screw (1/2-20 x 2-1/4")
5.	12-250011-009	Spacer
	12-250011-005	Spacer
6.	11-170016-001	Hex Nut Nylock (1/2-20)
7.	12-250073-000	L.H. Pit Cushion Arm Assembly
	12-250074-000	R.H. Pit Cushion Arm Assembly
8.	N.A.	Tacking Board, for Model A
9.	11-170012-001	Hex Nut Nylock (3/8-24)
10.	12-252165-000	Tacking Board
11.	N.A.	Support Block
12.	11-006345-000	Button Head Socket Cap Screw (3/8-16 x 1")
13.	11-190012-001	Flat Washer - SAE (5/16)
14.	12-862578-000	Pit Cushion
15.	12-252308-000	"A-2" Pit Cushion Facing
	*12-252310-000	Strap-On Facing for A-2 & Jetblack
	*11-603114-000	Cable Ties
16.	12-862839-000	Cushion Mount & Bearing
17.	10-424001-000	Sleve Oilite Bearing
18.	12-100185-036	Spacer
19.	10-009001-001	Hex Socket Head Cap Screw (3/8-24 x 2-1/16")

N.A. = No Longer Available

** Not Illustrated*

Pit Cushion Assembly



Pit Cushion Assembly

Section F

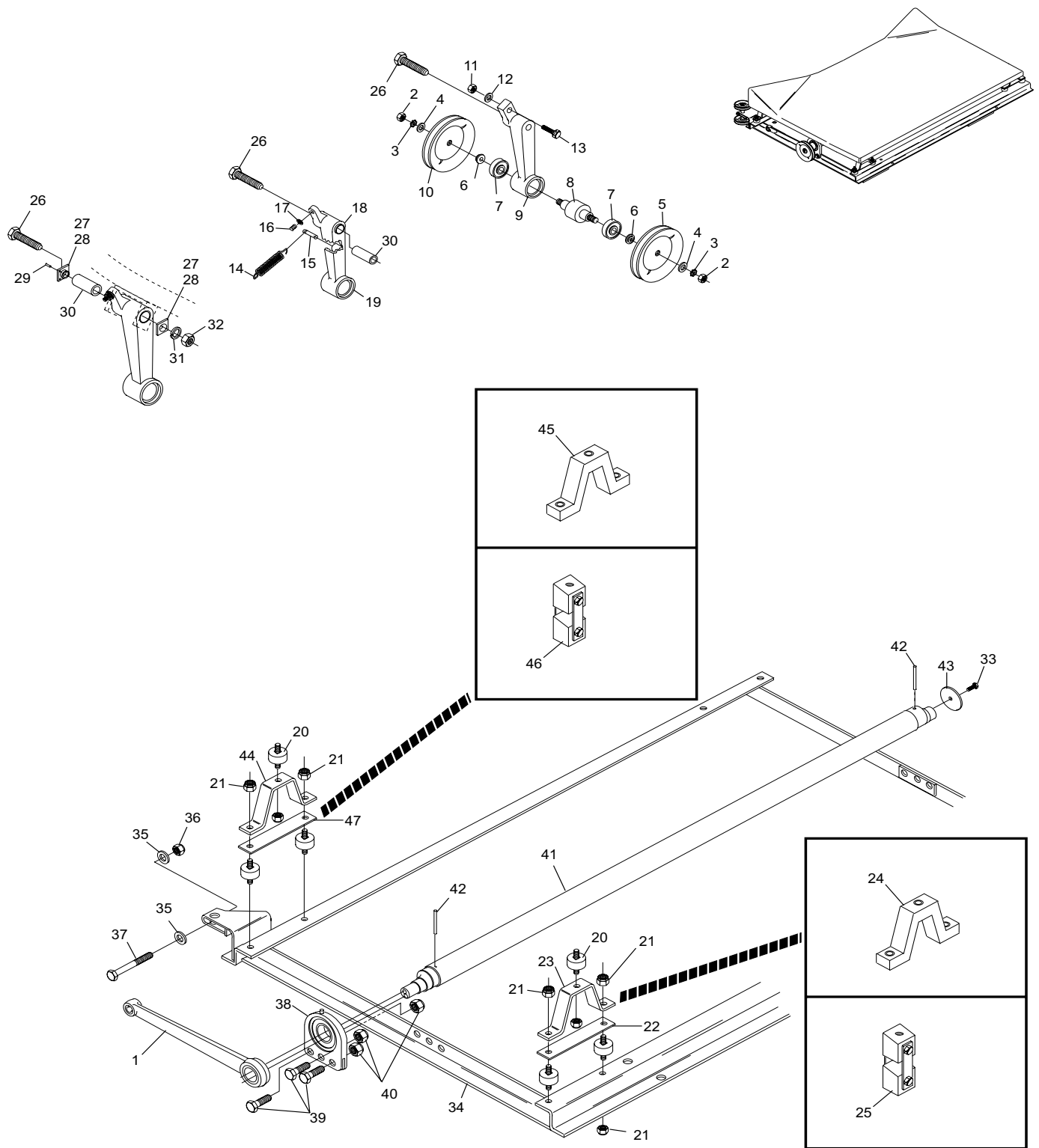
Pit Conveyor

Index

No.	Part No.	Description
1.	12-300194-000	Jogger Link Assembly
2.	11-125109-001	Hex Nut (1/2-20)
3.	11-198009-001	External Tooth Lockwasher (1/2")
4.	12-300147-000	Washer
5.	12-300071-000	Pulley Assembly
6.	12-300148-000	Spacer
7.	11-430007-000	Bearing (.6693 IDX1.5748 OD)
8.	12-300149-000	Shaft, for machines 27,001 and up - See Note
	12-860641-000	Pulley Arm Shaft Assembly
9.	12-300203-000	Pulley Arm
10.	12-300073-000	Pulley Assembly
11.	11-170009-001	Hex Nut Nylock (5/16-18)
12.	11-190012-001	Flat Washer - SAE (5/16")
13.	11-001270-001	Hex Head Cap Screw (5/16-18 x 1-3/4")
14.	12-400286-000	Spring (for machines so equipped)
15.	11-353208-001	Drive Pin (5/16 x 1-1/4")
16.	11-102220-000	Headless Socket Set Screw
17.	11-125202-001	Hex Jam Nut (5/16-18)
18.	11-421058-000	Flanged Oilite Bearing, for machines prior to 95,224
	11-420054-000	Sleeve Oilite Bearing, for machines prior to 24,000
19.	12-300108-000	Arm & Bearing Assembly
20.	90-675000-000	Black Rubber Pit Mount
21.	11-176001-001	Keps Nut (5/16-18)
22.	12-300024-003	Front Tie Plate
	12-300024-002	Rear Tie Plate
23.	12-300076-000	Front Pier
	12-300077-000	Rear Pier
24.	90-300076-000	Front Pit Mount - Urethane
	90-300077-000	Rear Pit Mount - Urethane
25.	12-300240-000	Torsional Pier Front
	12-300241-000	Rear Mount Assembly
26.	11-001357-001	Hex Head Cap Screw (3/8-16 x 3-1/4")
27.	12-400247-002	Pulley Arm Bushing, Standard (5/8")
28.	12-400247-003	Pulley Arm Bushing, Oversize (7/8")
29.	11-345152-001	Roll Pin (.125 X 3/8)
30.	12-400241-000	Spacer
31.	11-195016-001	Lockwasher (3/8)
32.	11-125104-001	Hex Nut (3/8-16)
33.	11-110130-001	Hex Head Cap Screw (1/4-20 x 3/4")
34.	12-300131-000	Frame Assembly
35.	11-190014-001	Flat Washer (3/8)
36.	11-170012-001	Hex Nut Nylock (3/8-24)
37.	11-001393-001	Hex Head Bolt (3/8-24 x 2-1/4")
38.	12-300160-003	Bearing
39.	11-001506-001	Hex Head Cap Screw (1/2-13 x 1-1/4")
40.	11-170114-000	Flexlock Thin Hex Nut (1/2-13)
41.	12-300141-000	Vibrator Shaft
	12-300126-000	Oscillating Vibrator Shaft - Painted
42.	11-345318-000	Roll Pin (3/16 x 1-3/4)
43.	12-300081-004	Flat Washer

NOTE: For machines prior to 27,001 order 12-860641-000 Shaft Assembly.

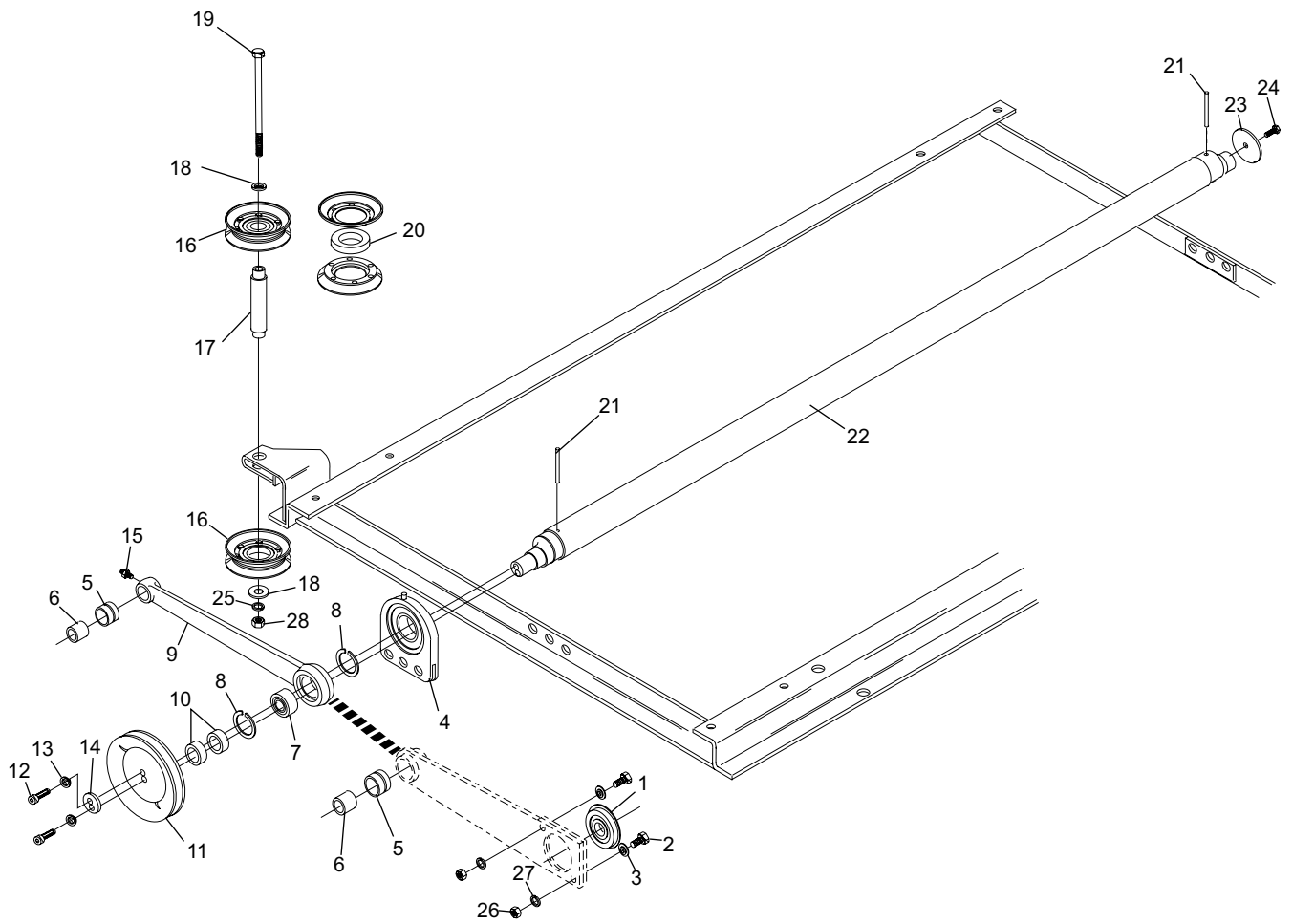
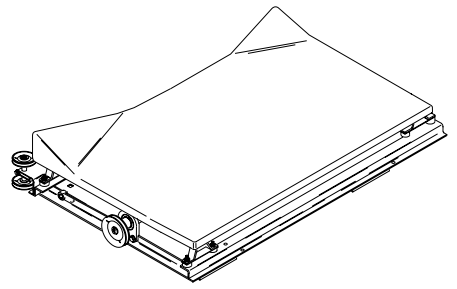
Pit Conveyor Drive



Pit Conveyor Drive

Index

No.	Part No.	Description
1.	11-430016-000	Ball Bearing
2.	11-001184-001	Hex Head Cap Screw (1/4-20 x 1")
3.	12-400033-000	Bearing Retainer
4.	12-300160-000	Bearing & Housing Assembly
5.	11-450001-000	Bearing
6.	11-450201-000	Inner Ring
7.	11-491000-000	Ball Bearing
8.	11-536026-000	Internal Spriol Retaining Ring
9.	12-300163-000	Jogger Link
	12-300194-000	Jogger Link Assembly
10.	12-300013-002	Spacer
11.	12-300088-000	Pulley Assembly
12.	11-005184-011	Hex Socket Head Cap Screw with Dri-Lok
13.	11-196012-001	High Collar Lockwasher (1/4)
14.	12-300016-002	Washer
15.	11-280001-000	Grease Fitting (11/32)
16.	12-300075-000	Idler Pulley Assembly
17.	12-300109-000	Shaft
18.	11-190012-001	Flat Washer - SAE (5/16)
19.	11-001286-001	Hex Head Cap Screw (5/16-18 x 5-1/2")
20.	11-434001-000	Bearing (.500 ID X 1.1250 OD)
21.	11-345318-000	Roll Pin (3/16 x 1-3/4)
	11-530038-000	External Retaining Ring (.992 I.D.)
22.	12-300141-000	Vibrator Shaft
23.	12-300081-004	Flat Washer
24.	11-110130-001	Hex Head Cap Screw (1/4-20 x 3/4")
25.	11-195015-001	Lockwasher (5/16)
26.	11-125100-001	Hex Nut (1/4-20)
27.	11-195014-001	Lockwasher (1/4)
28.	11-125102-001	Hex Nut (5/16-18)

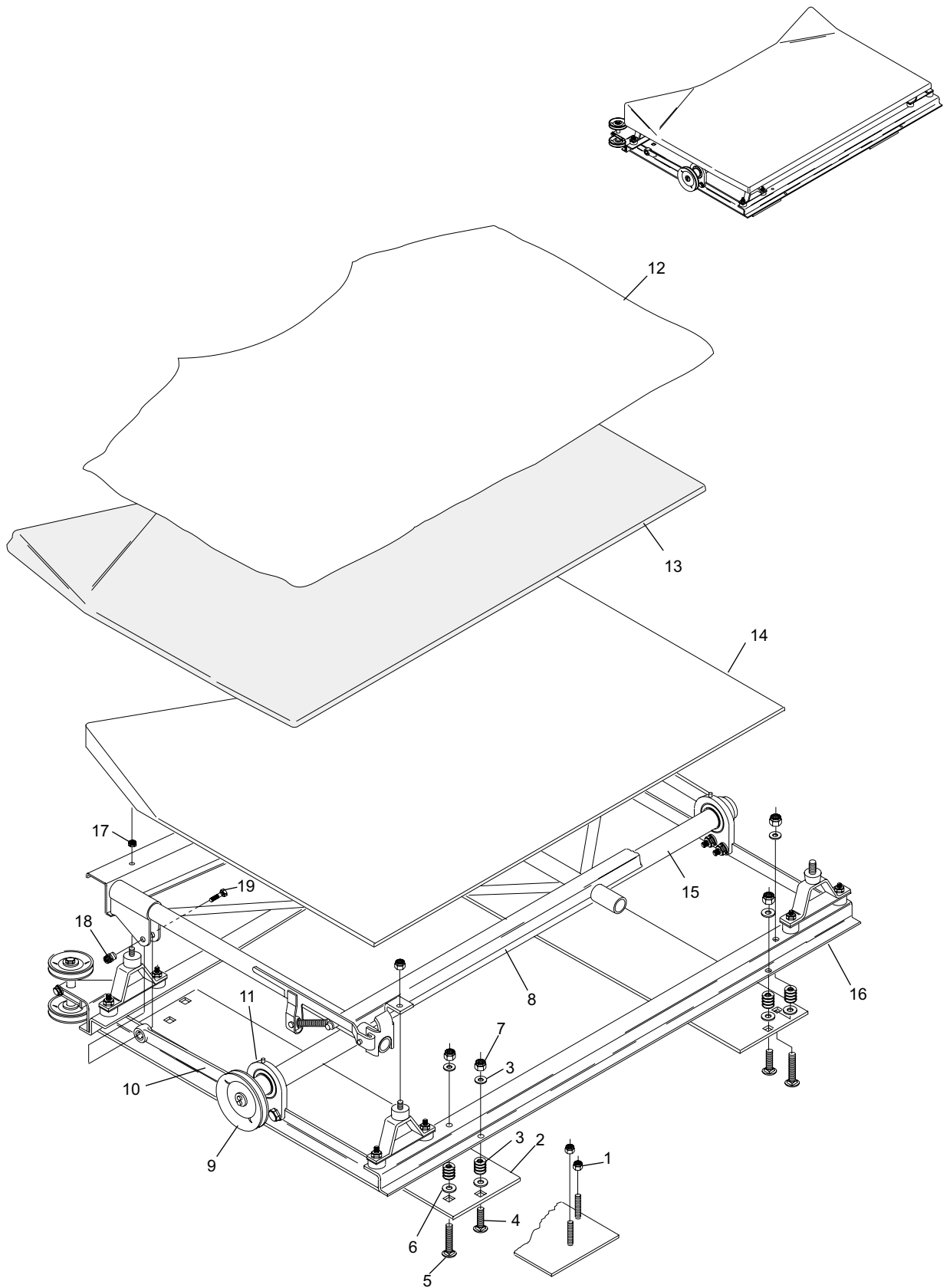


Pit Conveyor Drive

Index

No.	Part No.	Description
1.	11-170013-001	Self-Locking Nut (7/16-14)
2.	12-300110-000	Pit Sub Mounting Plate
3.	11-191018-001	Flat Washer (1/2)
4.	12-300107-002	Carriage Bolt, for machines prior to serial #3850
5.	12-300107-003	Bolt, for machines serial #3850 and up
6.	11-191024-001	Flat Washer (3/4)
7.	11-170016-001	Hex Nut Nylock (1/2-20)
8.	12-860659-000	Pit Frame Assembly
9.	12-300088-000	Pulley Assembly
10.	12-300194-000	Jogger Link Assembly
11.	12-300160-000	Bearing & House Assembly
	12-300160-003	Bearing
12.	12-860725-000	Pit Carpet Cover (1 Ea.)
13.	12-300103-000	Pit Rug
14.	12-860620-002	Fiberglass Pit Board Only
	12-860620-003	Fiberglass Pit Board Assembly
15.	12-300141-000	Vibrator Shaft
16.	12-300131-000	Frame Assembly
17.	11-176001-001	Keps Nut (5/16-18")
18.	11-155401-002	Spline Nut (3/8-24)
19.	11-001390-001	Hex Head Cap Screw (3/8-24 x 1-3/4)

Pit Conveyor Assembly

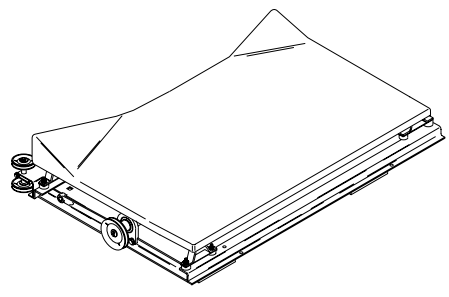
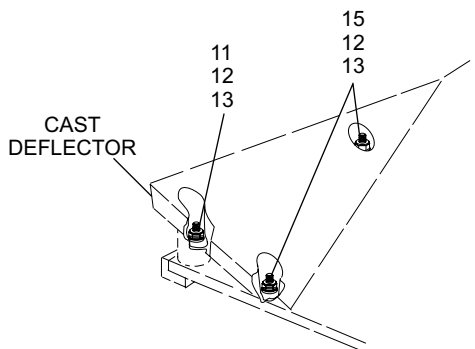


Pit Conveyor Assembly

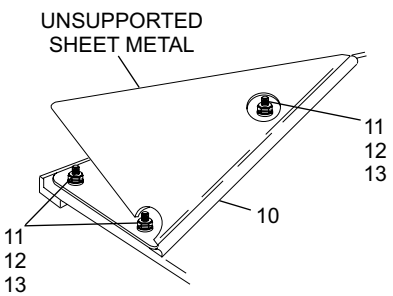
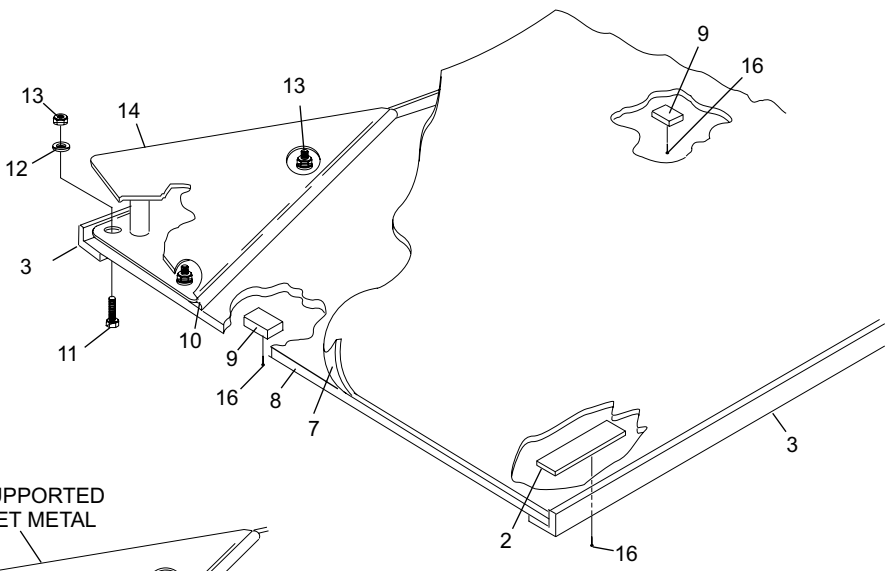
Index

No.	Part No.	Description
1.	12-300212-000	Rubber Block & Bracket
2.	12-300180-000	Rubber Strip
3.	12-300146-002	Rubber Strip (46")
4.	11-014090-009	Flat Head Socket Cap Screw
5.	11-170005-001	Hex Nut Nylock (#10-24)
6.	12-300146-004	Rubber Strip (17")
7.	12-300103-000	Pit Rug
8.	12-860620-004	Wood Pit Board Assembly
	12-860620-005	Wood Pit Board Only (1/2" 7 Ply)
9.	12-300205-002	Rubber Block (3" x 1-1/2" x 5/8")
	12-300205-003	Rubber Block (3" x 1-1/2" x 1/4")
10.	12-300162-000	Impact Cushion
11.	12-300093-002	Elevator Bolt
	12-300093-004	Elevator Bolt
	12-300093-005	Elevator Bolt
12.	11-190012-001	Flat Washer - SAE (5/16)
	11-190014-001	Flat Washer (3/8)
13.	11-170009-001	Hex Nut Nylock (5/16-18)
	11-170110-001	Hex Nut Flexlock (3/8-16)
14.	12-300207-000	L.H. Deflector Assembly
	12-300208-000	R.H. Deflector Assembly
15.	12-300093-003	Bolt
16.	N.A.	Screw Nail 3/4"
	N.A.	Screw Nail 7/8"
	N.A.	Screw Nail 1-1/4"
	N.A.	Screw Nail 5/8"

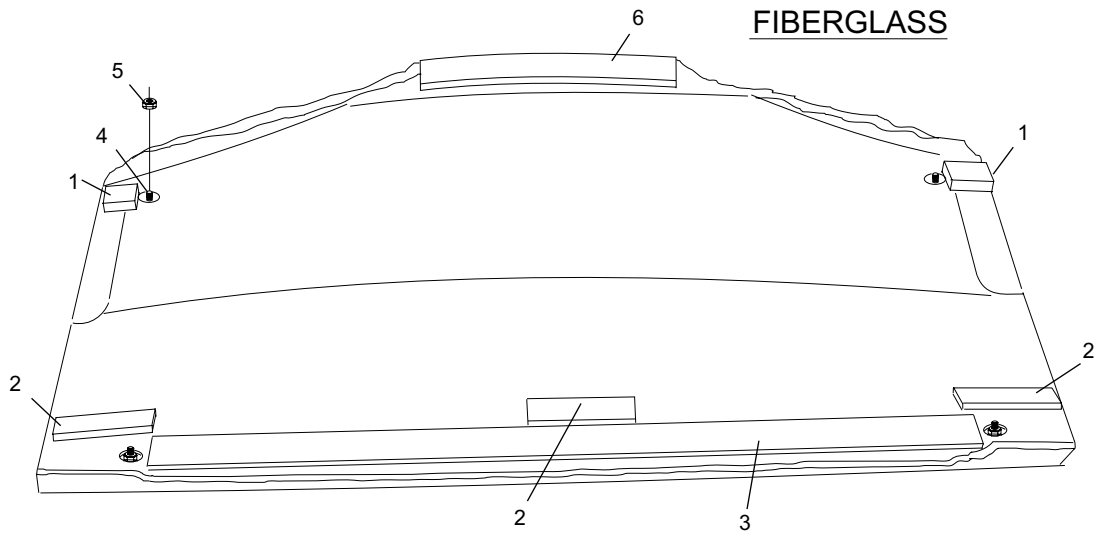
Pit Conveyor Boards



WOOD



FIBERGLASS

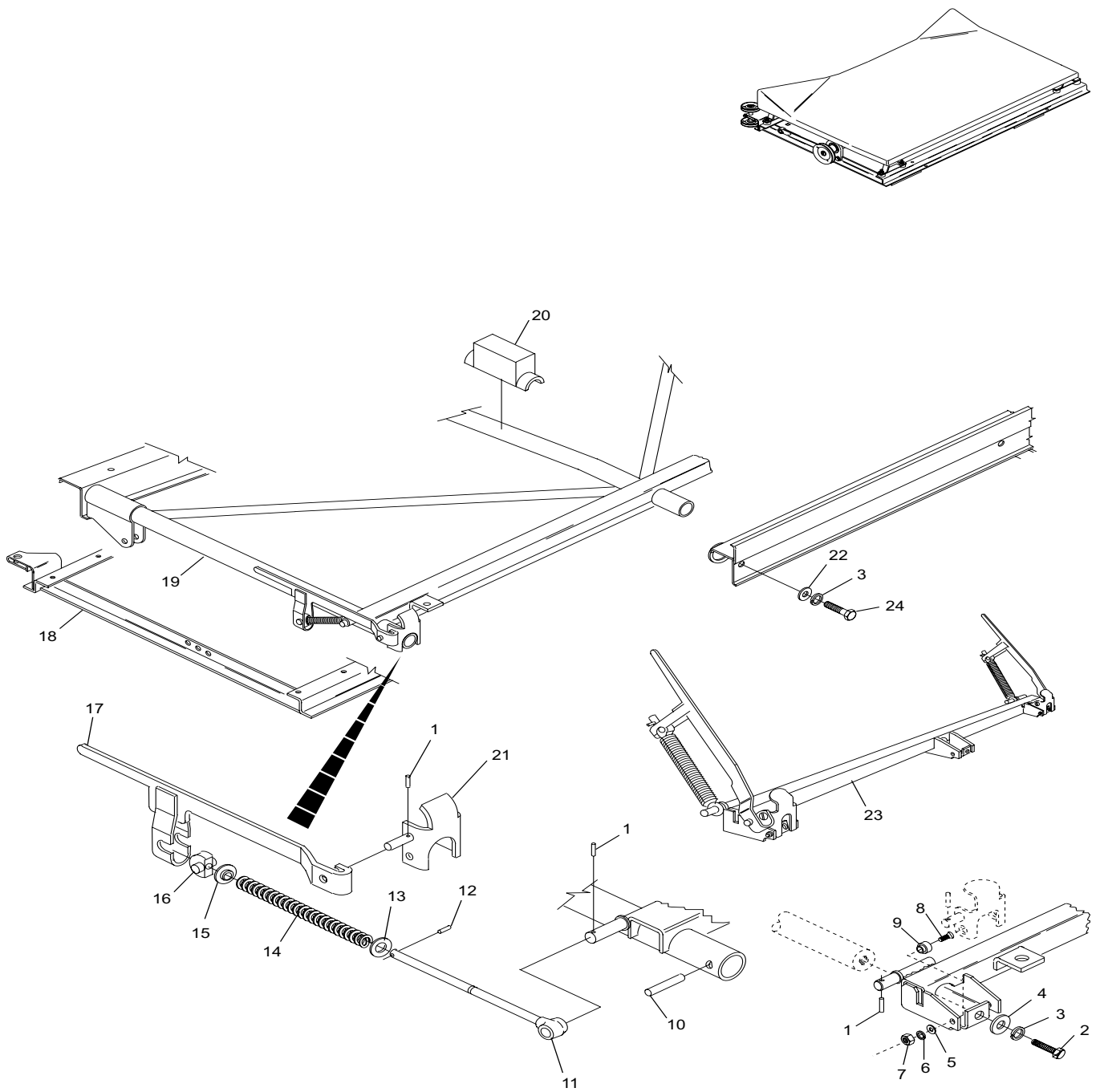


Pit Conveyor Boards

Index

No.	Part No.	Description
1	11-345160-000	Roll Pin (.125 x 3/8)
2.	11-001508-001	Hex Head Cap Screw (1/2-13 x 1-1/2")
3.	11-195018-001	Lockwasher (1/2)
4.	11-190018-001	Flat Washer (1/2)
5.	11-190006-001	Flat Washer - SAE (#10)
6.	11-195010-001	Lockwasher (#10)
7.	11-125004-001	Hex Nut (#10-24)
8.	11-007092-001	Flat Head Socket Cap Screw (10-24 x 3/4")
9.	12-300224-000	Pivot Post
10.	11-345573-000	Roll Pin (1/2 x 2-3/4)
11.	12-300170-000	Spring Guide
12.	11-345258-001	Roll Pin (5/32 x 3/4)
13.	11-190016-001	Flat Washer (7/16)
14.	12-300172-000	Compression Spring
15.	12-300189-000	Step Washer
16.	12-300178-000	Pivot
17.	12-300192-000	R.H. Lever & Bracket
	12-300193-000	L.H. Lever & Bracket
18.	12-300131-000	Frame Assembly
19.	12-860659-000	Pit Frame Assembly
20.	12-302212-000	Pit Board Bumper
21.	12-300168-000	R.H. Clamp & Pin Assembly
	12-300169-000	L.H. Clamp & Pin Assembly
22.	11-191018-001	Flat Washer (1/2)
23.	12-860624-000	Rear Pit Frame Conversion Kit
24.	12-300104-000	Hex Head Socket Cap Screw

Pit Conveyor Frame



Pit Conveyor Frame

Section G

Rake

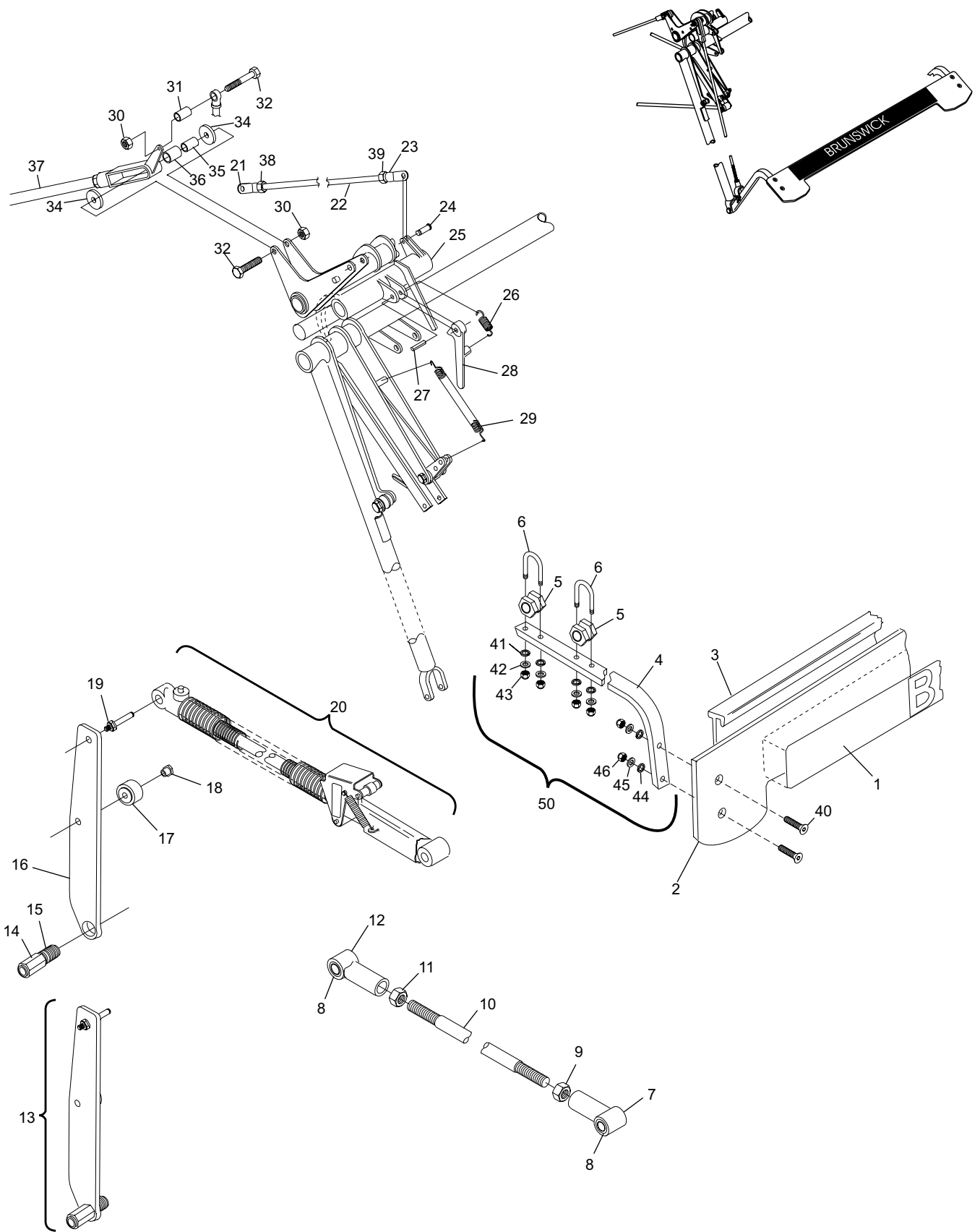
Index

No.	Part No.	Description
1.	N.A.	Decal
	12-252290-000	"Astroline" Rake Board Decal
	12-252290-010	"2000" Rake Board Decal
	N.A.	Decal, for straight rake boards
2.	12-252373-000	Gray Rake Board W/O Decal
	12-252373-010	Brown Rake Board W/O Decal
	12-252548-000	Gray Rake Board (5.5")
	12-252548-010	Rake Board - Brown Kickbacks (5.5")
3.	12-252372-000	Gray Rake Board Cushion
	12-252372-010	Brown Rake Board Cushion
	12-252284-000	Cushion
4.	12-252037-000	Sweep Arm, Note
	90-252037-000	Molded Sweep Arm Assembly
5.	12-252039-000	Pin Housing
6.	12-252009-000	U-Bolt
7.	12-250060-002	Rod End Assembly
8.	11-420035-000	Sleeve Oilite Bearing
9.	11-125206-001	Hex Jam Nut (7/16-14)
10.	12-250032-002	Rod
11.	11-125256-001	Hex Jam Nut (7/16-14)
12.	12-250060-003	Rod End Assembly
13.	12-252235-000	Cam Follower Arm Assembly, for Model A-2
14.	11-421019-000	Flanged Oilite Bearing
15.	12-250230-000	Hub & Bearing Assembly
16.	12-252234-000	Cam Follower Arm, for Model A-2
17.	11-460000-000	Needle Roller Bearing
18.	12-250244-000	Bearing Stud
19.	12-250229-000	Pivot Stud
20.	12-252301-000	Rake Latch Assembly
21.	12-250021-002	R.H. Rod End
22.	12-250031-002	Rod
23.	12-250021-003	L.H. Rod End
24.	12-250010-011	X-Washer Pin
25.	12-250265-000	Lever Shoe
26.	12-250127-000	Tension Spring
27.	11-345412-000	Roll Pin (1/4 x 1")
28.	12-250044-000	Latch
29.	12-250050-000	Spring
30.	11-170007-001	Hex Nut Nylock (1/4-20)
31.	12-252339-000	Spacer
32.	11-002008-001	Hex Head Socket Cap Screw (1/4-20 x 2")
33.	N.A.	Acorn Nut
34.	12-250076-003	Washer
35.	12-250091-000	Sleeve Oilite Bearing
36.	12-252090-000	Bumper
37.	N.A.	Line Assembly
38.	11-125200-001	Hex Jam Nut (1/4-20)
39.	11-125250-001	Hex Jam Nut (1/4-20)
40.	11-007386-001	Flat Head Socket Cap Screw (3/8-24 x 1-1/4")
41.	11-190012-001	Flat Washer - SAE (5/16)
42.	11-195015-001	Lockwasher (5/16)
43.	N.A.	Acorn Nut
44.	11-190014-001	Flat Washer (3/8)
45.	11-195016-001	Lockwasher (3/8)

N.A. = No Longer Available

NOTE: 12-252037-000 is no longer available, order 90-252037-000 as replacement.

Rake Assembly



Rake Assembly

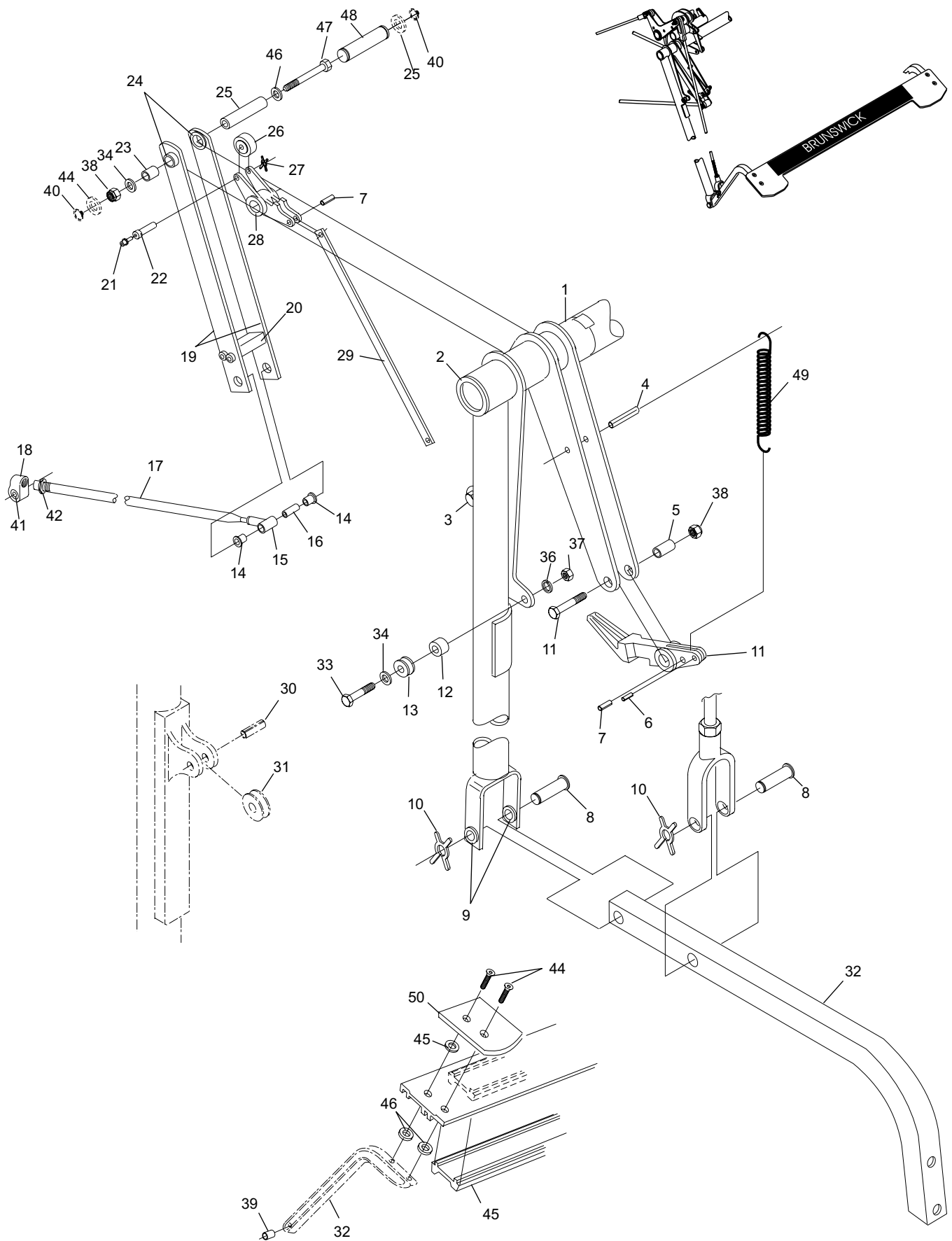
Index

No.	Part No.	Description
1.	12-862186-000	Modular Rake Shaft Assembly
2.	11-421030-000	Flanged Bronze Bearing
3.	11-420066-000	Sleve Oilite Bearing
4.	11-345418-001	Roll Pin (1/4 x 1-3/4")
5.	12-250011-013	Spacer
6.	11-345306-000	Roll Pin (3/16 x 5/8")
7.	11-345406-000	Roll Pin (1/4 x 5/8")
8.	12-250010-007	X-Washer Pin
9.	11-420063-000	Sleve Oilite Bearing
	11-421147-000	Bearing (.5145 I.D. X .6905 O.D.)
10.	11-230005-001	"X" Washer (1/4)
11.	12-250049-000	Hook
12.	12-250197-000	Stepped Spacer
13.	10-376007-000	Wheel
	10-376009-000	Spring Roller
14.	11-421027-000	Flanged Oilite Bearing
15.	12-250014-000	Pivot Assembly
	12-250273-000	Pivot Assembly
16.	12-250011-014	Spacer
17.	12-250022-002	Rod, Rake Crank, Tapered
	12-250278-002	Rod, Rake Crank, Tapered
	12-252309-000	Collapsible Rake Crank Rod - Straight
18.	12-250020-000	Pivot Assembly
	12-250275-000	Pivot Assembly
19.	12-250225-000	Link & Bearing Assembly
20.	12-250039-000	Block
21.	12-250085-000	Grease Fitting
22.	12-250066-000	Pin
23.	12-250011-012	Spacer
24.	11-421017-000	Flanged Oilite Bearing
25.	12-250011-011	Spacer
	12-250053-004	Washer
26.	11-450302-000	Ball Bearing
27.	11-230001-001	X-Washer (1/8)
28.	12-250029-000	Bell Crank
29.	12-250040-000	Link
30.	12-200152-003	Knurled Pin
31.	N.A.	Wheel (For machines prior to S/N 24,000)
32.	90-252037-000	Molded Sweep Arm Assembly, See Note
33.	11-001270-001	Hex Head Cap Screw (5/16-18 x 1-3/4")
34.	11-190012-001	Flat Washer - SAE (5/16)
35.	11-002068-001	Hex Head Socket Cap Screw (5/16-18 x 2")
36.	11-195015-001	Lockwasher (5/16)
37.	11-125102-000	Hex Nut (5/16-18)
38.	11-170009-000	Lock Nut
39.	11-420095-000	Sleve Oilite Bearing
40.	11-530017-001	External Retaining Ring
41.	11-420069-000	Bearing (.627 I.D. X 1.128 O.D.)
42.	11-125263-001	Hex Jam Nut (5/8-18)
43.	10-125002-001	Jam Nut R.H. (5/8-18)
44.	11-007388-001	Flat Head Socket Cap Screw (3/8-24 x 1-1/2")
45.	11-190018-001	Flat Washer (1/2)
46.	10-386128-000	Spacer
47.	11-002072-001	Hex Head Socket Cap Screw (5/16-18 x 3")
48.	12-250052-006	X-Washer Pin
49.	12-250050-000	Spring
50.	12-252295-000	L.H. End Plate

N.A. = No Longer Available

NOTE: 90-252037-000 Standard Gray, 90-252037-224 GID Neon Banana, 90-252037-225 GID Nean Strawberry, 90-252037-602 GID Light Gray

Rake Assembly



Rake Assembly

Index

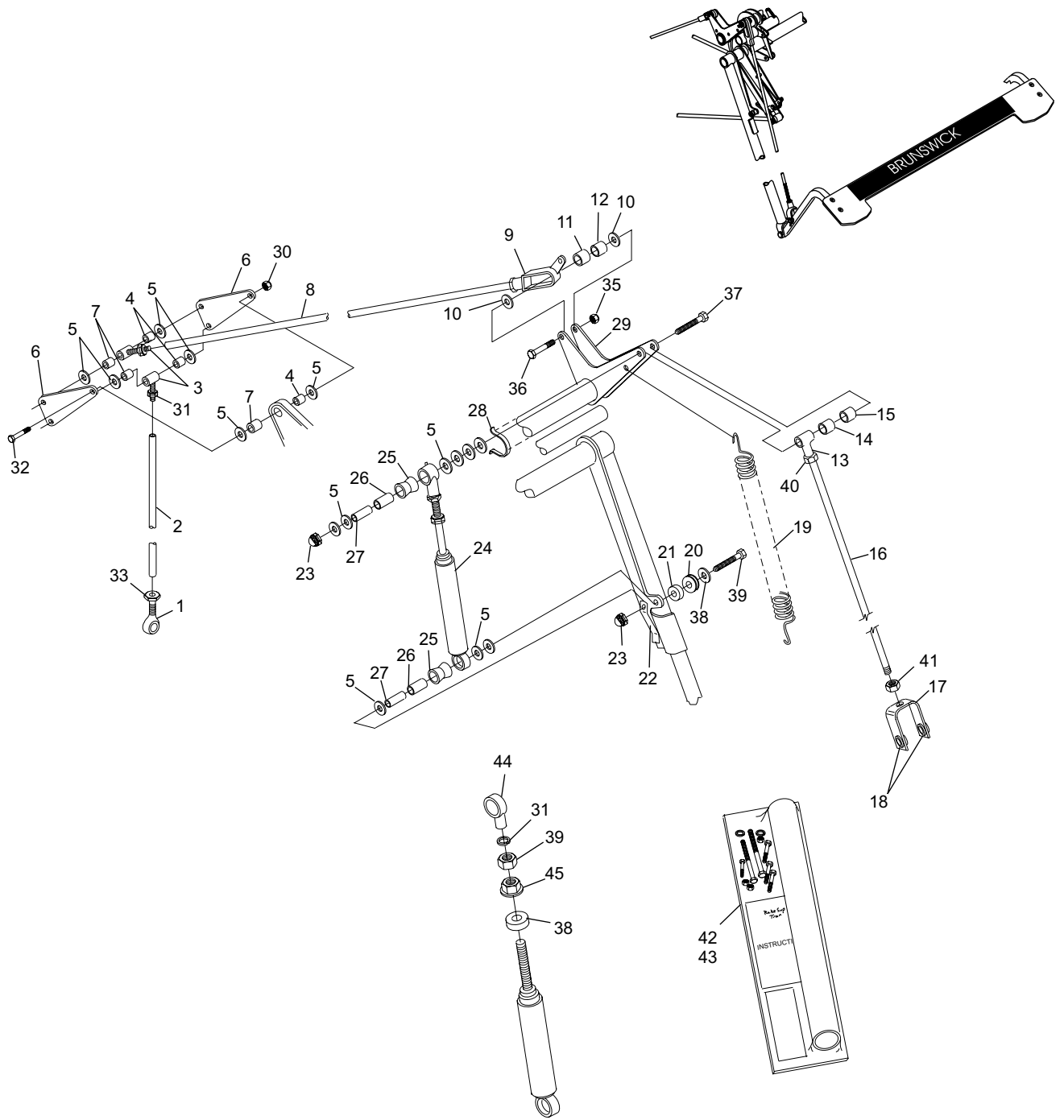
No.	Part No.	Description
1.	12-252060-000	Uniball Rod End
2.	12-252364-002	Tube
3.	12-252365-000	Rod End, for Model A-2
	12-250058-000	Rod End Assembly
4.	12-250011-003	Spacer
5.	12-250076-002	Fiber Washer
6.	12-252359-000	Link Plate
7.	12-250248-000	Sleeve Oilite Bearing
8.	12-252364-003	Tube
	12-250015-002	Rod
9.	12-252029-000	Slotted Pivot
	12-250028-000	Slotted Pivot Assembly
10.	12-250076-003	Washer
11.	12-252090-000	Bumper
12.	12-250091-000	Sleeve Oilite Bearing
	12-252092-000	Bumper & Bearing Assembly
13.	12-252000-053	Rod End Assembly
14.	11-420102-0	00 Sleeve Oilite Bearing
15.	12-250011-019	Spacer
	12-250183-005	Spacer
16.	12-252024-004	Rod
	12-250024-002	Rod
17.	12-250027-000	Pivot Assembly
18.	11-421147-000	Bearing (.5145 I.D. X .6905 O.D.)
19.	12-250051-000	Tension Spring
20.	10-376009-000	Spring Roller
21.	12-250197-000	Stepped Spacer
22.	12-252361-000	Bracket
23.	N.A.	Acorn Nut
24.	12-252338-000	Shock Absorber Assembly
25.	12-250189-000	Rubber Bushing
26.	12-250075-000	Sleeve Oilite Bearing
27.	12-250011-021	Spacer
28.	12-752015-000	Clip
29.	12-252048-000	Rake Lift Arm Assembly
	12-250048-000	Rake Lift Arm Assembly
30.	11-170011-001	Hex Nut Nylock (3/8-16)
31.	11-125209-001	Hex Jam Nut (1/2-20)
32.	11-001354-001	Hex Head Cap Screw (3/8-16 x 2-1/2")
33.	11-125259-001	Hex Jam Nut (1/2-20)
34.	11-195010-001	Lockwasher (#10)
35.	11-170007-001	Hex Nut Nylock (1/4-20)
36.	11-002008-001	Hex Head Socket Cap Screw (1/4-20 x 2")
37.	11-002075-001	Hex Head Socket Cap Screw (5/16-18 x 3-3/4")
38.	12-252342-000	Rubber Spacer
39.	11-195018-001	Lockwasher (1/2)
40.	11-125254-001	Hex Jam Nut (3/8-16)
41.	11-125204-001	Hex Jam Nut (3/8-16)
42.	12-860607-000	Rake Shaft Repair Kit- US pinsetters
43.	12-860665-000	Rake Shaft Repair Kit - Japanese pinsetters
44.	12-252338-003	Mounting Rod End
45.	11-131510-001	Flanged Nut

N.A. = No Longer Available

NOTE: 12-862015-000 Rod End Conversion Kit (Uniball) Consists of the Following

- 2 each - 12-252060-000 Uniball Rod ends
- 2 each - 12-100185-036 Spacer
- 8 each - 11-190520-000 Washer
- 2 each - 11-125259-000 Hex Nut
- 2 each - 11-121523-000 Nylon Cap Nut
- 2 each - 10-002006-000 Hex Hd. Bolt
- 4 each - 12-252346-000 Follower Link

Rake Assembly



Rake Assembly

Index

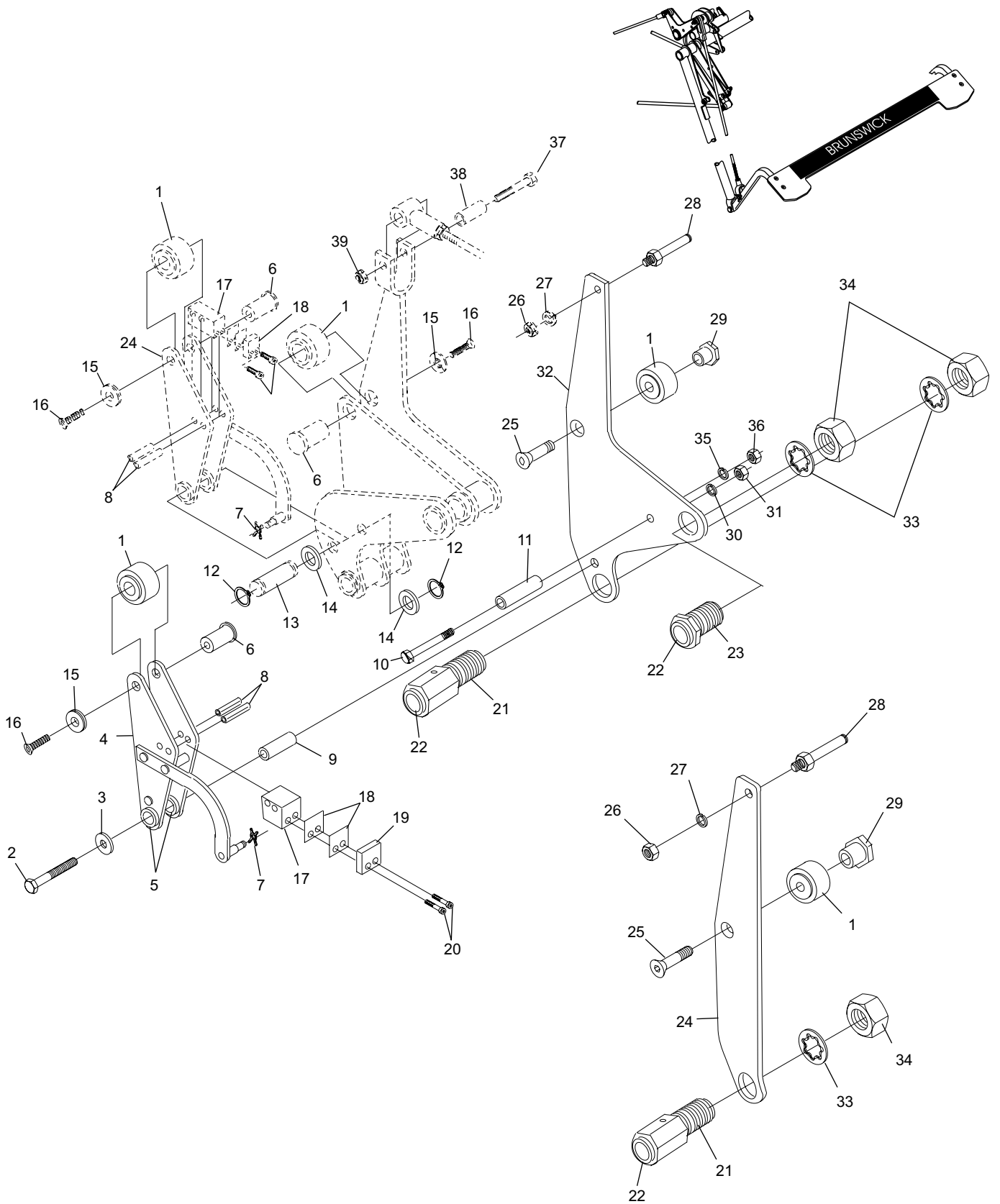
No.	Part No.	Description
1.	11-460000-000	Needle Roller Bearing
2.	11-001474-001	Hex Head Socket Cap Screw (7/16-20 x 2-1/2")
3.	11-191014-001	Flat Washer (3/8)
4.	12-250242-000	Rake Cam Follower Assembly
5.	11-421060-000	Bearing (.626 I.D. X .815 O.D.)
6.	12-250140-000	Cam Follower Pin
7.	12-230001-006	"X" Washer
8.	N.A.	Roll Pin
9.	12-250011-017	Spacer
10.	11-001191-001	Hex Head Socket Cap Screw
11.	12-250011-016	Spacer
12.	11-530021-001	External Retaining Ring
13.	12-250052-003	X-Washer Pin
14.	12-250053-002	Washer
15.	12-250141-000	Clamp Washer
16.	11-007086-001	Flat Head Socket Cap Screw (10-24 x 3/8")
17.	12-250143-000	Block
18.	12-250144-002	Shim 0.030
	12-250144-003	Shim
19.	12-250145-000	Cam Follower Arm Stop
20.	11-005094-000	Hex Head Socket Cap Screw (10-24 x 1")
21.	12-250230000	Hub & Bearing Assembly
22.	N.A.	Bearing (2 required)
23.	12-250231-000	Hub Assembly
24.	12-252234-000	Cam Follower Arm, for A-2 model only
	12-252235-000	Cam Follower Arm Assembly
25.	11-007386-001	Flat Head Socket Cap Screw (3/8-24 x 1-1/4")
25.	11-002155-000	Hex Head Socket Cap Screw (3/8-24 x 1-1/4")
26.	11-125104-001	Hex Nut (3/8-16)
27.	11-195016-001	Lockwasher (3/8)
28.	12-250229-000	Pivot Stud
29.	12-250244-000	Bearing Stud
30.	11-195017-001	Lockwasher (7/16)
31.	11-125107-001	Hex Nut (7/16-20)
32.	12-250234-000	Cam Follower Arm
	12-250235-000	Cam Follower Arm Assembly - See Note 1
33.	11-199019-000	Internal Tooth Lockwasher (1-1/8"), See Note 2
34.	11-125221-001	Hex Jam Nut (1-1/8 x 12)
35.	11-195014-001	Lockwasher (1/4)
36.	11-125100-001	Hex Nut (1/4-20)
37.	11-001311-000	Hex Head Socket Cap Screw
38.	12-250183-004	Spacer
39.	11-170010-001	Hex Nut Nylock (5/16-24)

N.A. = No Longer Available

NOTE 1: 12-250235-000 consists of 12-250242-000 assembled to 12-250234-000 with all attached hardware and bearings.

NOTE 2: 11-199019-000 is no longer available, order 11-199019-001 for a replacement

Rake Drive



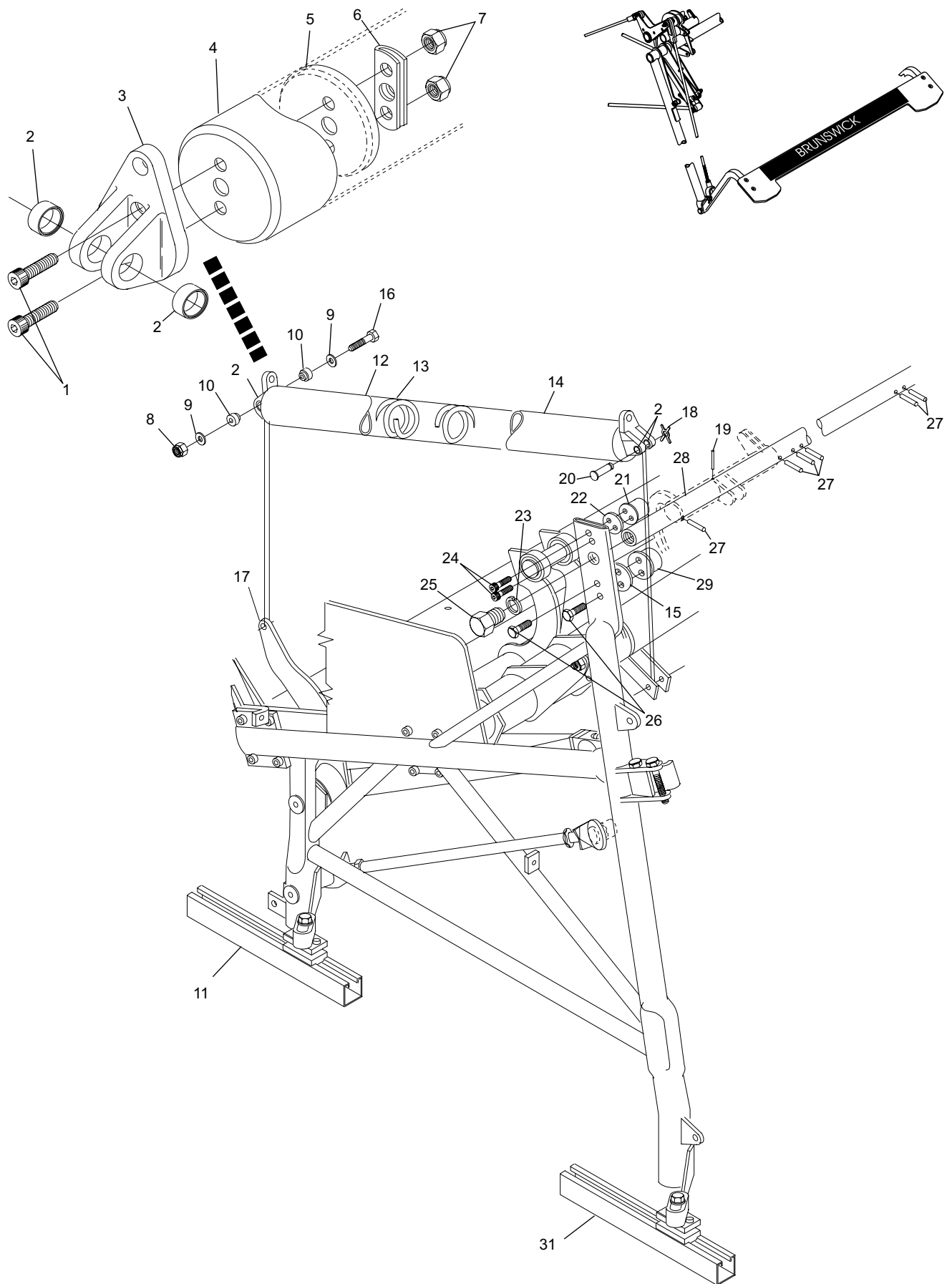
Rake Drive

Index No.	Part No.	Description
1.	11-005304-001	Hex Head Socket Cap Screw (5/16-24 x 1")
2.	11-420009-000	Sleve Oilite Bearing (.5015 I.D.X.628 O.D.)
	11-420019-000	Sleve Oilite Bearing (.627 I.D. X .753 O.D.)
3.	12-350163-002	Spring Guide Tube Cap
	N.A.	Spring Guide Tube Cap
4.	12-350170-000	Outside Spring Guide Tube
	12-350171-000	Inside Spring Guide Tube
5.	12-350164-002	Washer
	12-350164-003	Washer
6.	12-350167-000	Nut Retainer
7.	11-170010-001	Hex Nut Nylock (5/16-24)
8.	11-170011-001	Hex Nut Nylock (3/8-16)
	11-170114-000	Flexlock Thin Hex Nut (1/2-13)
9.	11-190014-001	Flat Washer (3/8)
10.	12-350120-000	Bushing (9/16")
	12-350123-000	Bushing
	12-350165-000	Bushing (3/4")
11.	12-350131-000	Channel
12.	N.A.	Spring Guide Tube Cap Assembly (Outside)
13.	12-350126-000	Compression Spring
14.	N.A.	Spring Guide Tube Cap Assembly (Inside)
15.	12-350118-003	Shim (.060)
16.	11-001352-001	Hex Head Socket Cap Screw (3/8-16 x 2")
	11-001353-001	Hex Head Socket Cap Screw (3/8-16 x 2-1/4")
	11-001512-000	Hex Head Socket Cap Screw (1/2-13 x 2")
17.	12-350821-000	Deck Lift Shaft Assembly, See Note
18.	11-230005-001	"X" Washer (1/4)
19.	11-345420-001	Roll Pin - (1/4 x 2)
20.	12-350023-002	Pin
21.	12-350010-000	Bearing Stud
22.	12-350118-004	Shim (.030)
	12-350118-005	Shim (.060)
23.	11-195020-001	Lockwasher (5/8)
24.	11-005264-001	Hex Head Socket Cap Screw (5/16-18 x 1")
25.	11-002365-001	Hex Head Cap Screw (5/8-11 x 1-1/4")
26.	11-002124-001	Hex Head Socket Cap Screw (3/8-16 x 1")
27.	11-345418-001	Roll Pin (1/4 x 1-3/4)
28.	N.A.	Cross Brace
29.	12-350011-000	Bearing Stud
30.	12-350118-002	Shim (.030)

N.A. = No Longer Available

NOTE: 12-350821-000 is no longer available, order 12-862581-000 for replacements

Rake - Left Hand Frame



Rake - Left Hand Frame

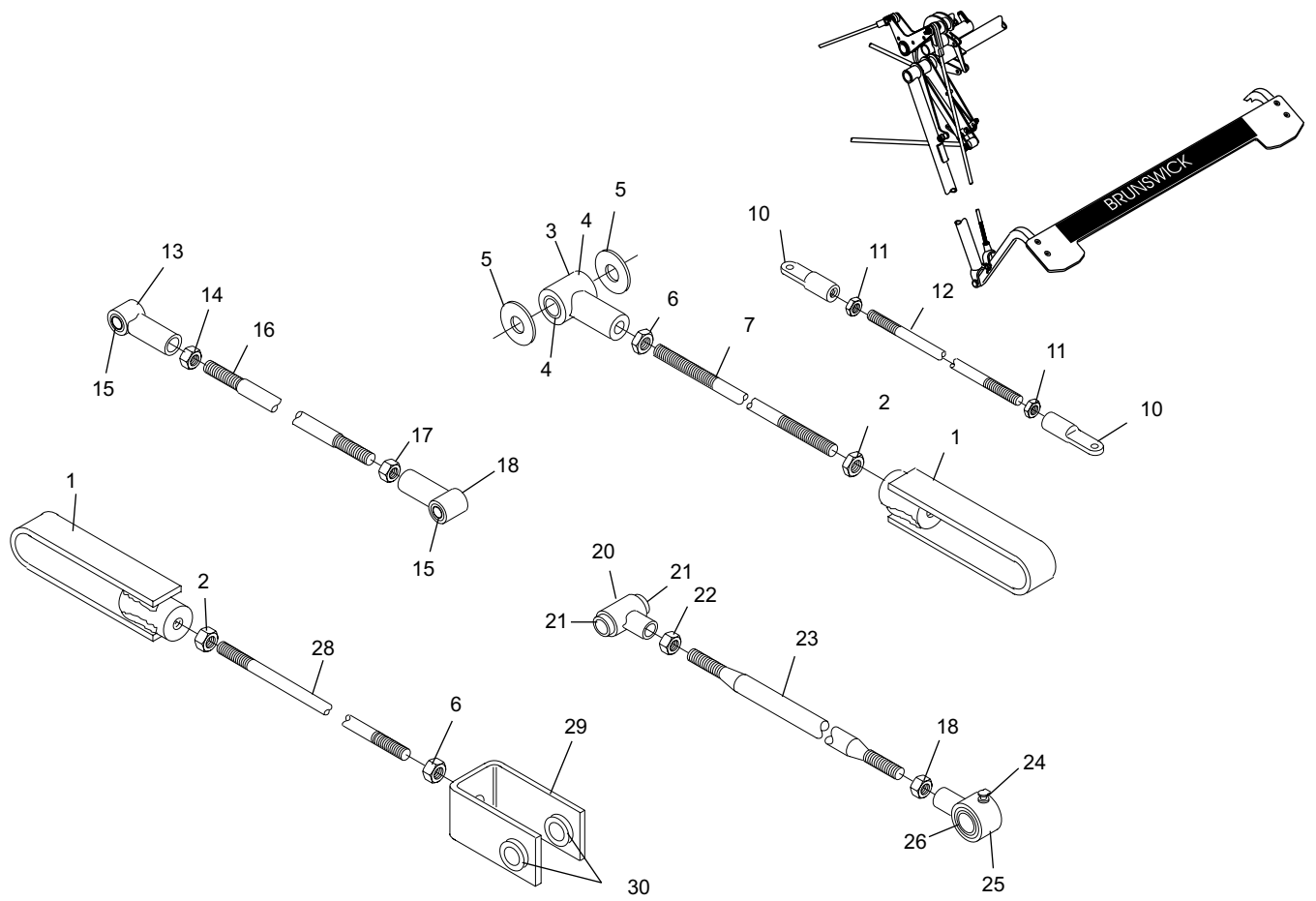
Index

No.	Part No.	Description
1.	12-250028-000	Slotted Pivot Assembly
2.	11-125254-001	Hex Jam Nut (3/8-16)
3.	12-250058-000	Rod End Assembly, See Note
4.	12-250248-000	Sleeve Oilite Bearing
5.	N.A.	Fibre Washer
6.	11-125204-001	Hex Jam Nut (3/8-16)
7.	N.A.	Rod (43-7/16")
8.	N.A.	Rod End (R.H. thread 1/4-20)
9.	11-125200-001	Hex Jam Nut (1/4-20)
10.	N.A.	Rod End (L.H. thread 1/4-20)
11.	11-125250-001	Hex Jam Nut (1/4-20)
12.	N.A.	Rod (18-1/8")
13.	N.A.	Rod End Assy. with bearing (L.H. thread)
14.	11-125256-001	Hex Jam Nut (7/16-14)
15.	11-420035-000	Sleeve Oilite Bearing
16.	N.A.	Rod (20-5/8")
17.	11-125206-001	Hex Jam Nut (7/16-14)
18.	N.A.	Rod End Assy. with bearing (R.H. thread)
19.	11-125257-000	Hex Jam Nut (7/16-20)
20.	12-250014-000	Pivot Assembly
21.	11-421027-000	Flanged Oilite Bearing
22.	11-125207-001	Hex Jam Nut (7/16-20)
23.	N.A.	Rod (40")
24.	11-590000-000	Oil Hole Cover
25.	12-250020-000	Pivot Assembly
26.	11-420069-000	Bearing (.627 I.D. X 1.128 O.D.)
27.	12-250275-000	Pivot Assembly
28.	N.A.	Rod (56-3/4")
29.	12-250027-000	Pivot Assembly
30.	11-420063-000	Sleeve Oilite Bearing
31.	12-252365-000	Rod End
32.	N.A.	Spacer
33.	11-125209-001	Hex Jam Nut (1/2-20)
34.	N.A.	Tube (46-5/8")
35.	11-125259-001	Hex Jam Nut (1/2-20)
36.	12-252029-000	Slotted Pivot
37.	11-125263-001	Hex Jam Nut (5/8-18)
38.	N.A.	Rod (40-7/8")
39.	10-125002-001	Jam Nut R.H. (5/8-18)
40.	12-250273-000	Pivot Assembly
41.	N.A.	Spacer
42.	N.A.	Rod (59-1/2")
43.	N.A.	Rod End with Bearing
44.	11-420102-000	Sleeve Oilite Bearing
45.	N.A.	Spacer

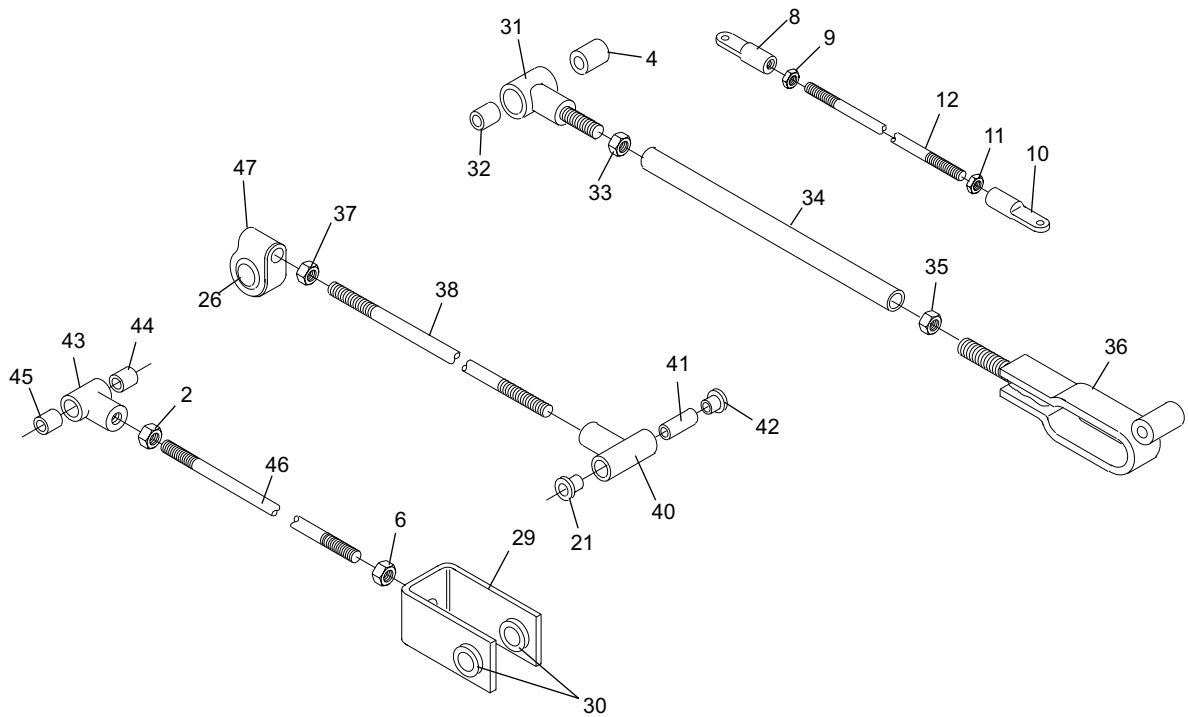
N.A. = No Longer Available

NOTE: 12-250058-000 consists of Rod End with 12-250248-000 bearing plus 2 each 12-250076-200 fibre washers.

Rake Crank Rod



"A" MACHINE ASSEMBLIES



"A-2" MACHINE ASSEMBLIES

Rake Crank Rod

Index

No.	Part No.	Description
1.	12-252373-000	Gray Rake Board W/O Decal
	12-252373-010	Brown Rake Board W/O Decal
2.	12-252374-000	Gray Rake Board Assembly
	12-252374-010	Brown Rake Board Assembly
3.	12-252548-000	Gray Rake Board (5.5")
	12-252548-010	Rake Board - Brown Kickbacks (5.5")
4.	12-252372-000	Gray Rake Board Cushion, See Note 1
	12-252372-010	Brown Rake Board Cushion, See Note 1
5.	N.A.	Rake Board Cushion, See Note 2
6.	12-252284-000	Cushion
7.	N.A.	Decal for Straight Rake Boards
8.	N.A.	Decal for Straight Rake Boards
9.	12-252290-010	"2000" Rake Board Decal
	12-252290-000	"Astroline" Rake Board Decal
10.	11-676010-000	Cement (1/2 Pint), See Note 3

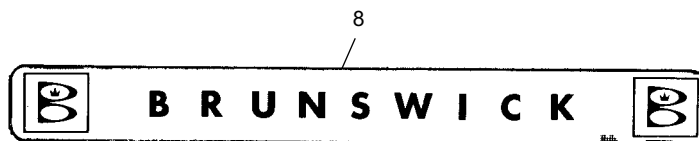
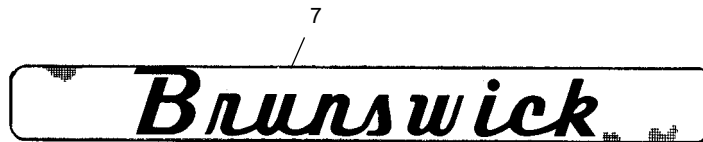
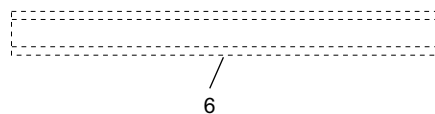
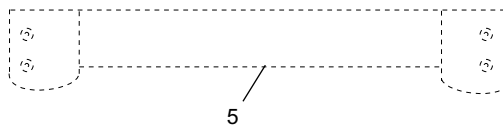
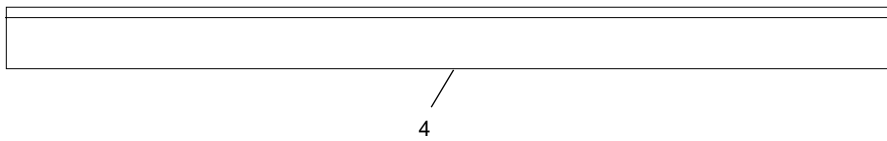
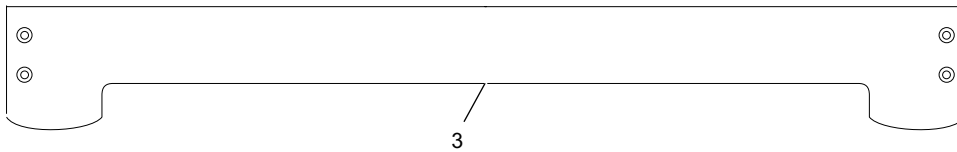
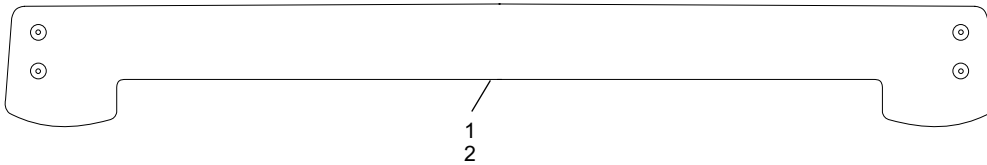
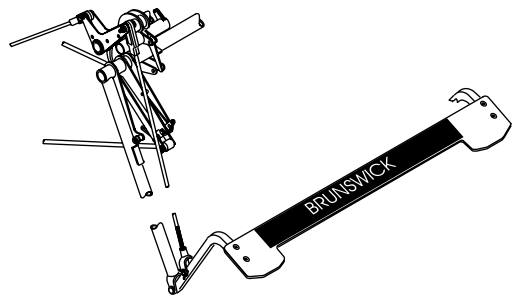
N.A. = No Longer Available

NOTE 1: For all machines with Fiberglass Rake Board

NOTE 2: For use on metal Rake Boards only

NOTE 3: One can of Part No. 11-676010-000 will be sufficient to glue eight (8) cushions to Fiberglass Rake Board

Rake Board



Rake Board

Section H

Elevator

Index No.	Part No.	Description	No.	Part No.	Description
1.	11-125208-001	Hex Jam Nut (1/2-13)	31.	12-862579-000	"A-2" Ball Lift Rod Assembly
2.	12-400139-004	Washer		12-860579-000	Ball Lift Rod Assembly, for Model A
3.	12-400123-000	Rubber Bumper	32.	12-862866-000	Ball Lift Arm Rebuild Kit
	90-400123-000	Spring Rod Bushing	33.	11-420140-000	Bearing (1.504 I.D. X 1.755 O.D.)
4.	12-400803-000	Spring Rod Bushing	34.	11-195015-001	Lockwasher (5/16)
	90-400803-000	Delrin Spring Bushing	35.	12-402094-000	Spacer
5.	12-402121-000	Compression Spring	36.	12-402095-000	Thrust Washer
6.	11-190018-001	Flat Washer (1/2)	37.	12-402093-000	Sleeve
7.	12-400193-000	Spring Rod	38.	11-335263-001	Cotter Pin
8.	12-400051-000	Ball Lift Stud, Model A, See Note 1	39.	11-001263-001	Hex Head Cap Screw (5/16-18 x 7/8")
	12-402051-000	Ball Lift Stud, Model A-2, See Note 1	40.	N.A.	H-T Hex Head Bolt
9.	12-400300-000	Collar	41.	11-195016-001	Lockwasher (3/8)
10.	11-105208-001	Set Screw	42.	11-603201-000	Hose Clamp
11.	11-170108-001	Flexlock Hex Nut (5/16-18)			
12.	11-170014-001	Hex Nut Nylock (7/16-20)			
13.	12-400848-000	Shaft, For Steal Clapper Box, See Note 3			
	12-400053-000	Ball Lift Pin, For Cast Steel Clapper, See Note 2			
14.	12-402432-000	Bottom Front Rod Cover			
15.	11-191024-001	Flat Washer (3/4)			
16.	11-005183-001	Hex Head Socket Cap Screw (1/4-20 x 7/8")			
	11-005180-001	Hex Head Socket Cap Screw (1/4-20 x 5/8")			
17.	12-402096-000	Clamp, Model A-2			
	12-400096-000	Clamp, Model A			
18.	12-402053-000	Retaining Washer			
19.	12-402054-000	Spacer			
20.	12-400288-000	Ball Lift Arm Assembly			
21.	12-400289-000	Spacer			
22.	12-400199-000	Flanged Oilite Bearing, See Note 4			
23.	12-400149-000	Shaft			
24.	11-421041-000	Flanged Oilite Bearing, See Note 4			
25.	12-402425-000	Support Brace			
26.	12-402043-000	Top Rear Rod Cover, See Note 5			
27.	12-402042-000	Top Front Rod Cover, See Note 5			
28.	11-125204-001	Hex Jam Nut (3/8-16)			
29.	11-102262-001	Set Screw (3/8-16 x 2-3/4")			
30.	90-400048-000	Heavy-Duty Ball Lift Rod Cover (50' Red)			
	12-400048-091	Gum Rubber Ball Rod Cover (50' Tan)			
	12-400048-005	Rod Cover (90" Tan)			
	90-400048-005	Ball Rod Cover (18")			
		90-400048-600 AP Urethane Foam B/L Rod Cover (Pkg. of 3)			

N.A. = No Longer Available

NOTE 1: Order (2) 12-400300-00, (2) 11-170108-000, (2) 11-105208-000 in place of 11-532011-000 for machines prior to S/N 33937 and from S/N 50000 to 51014.

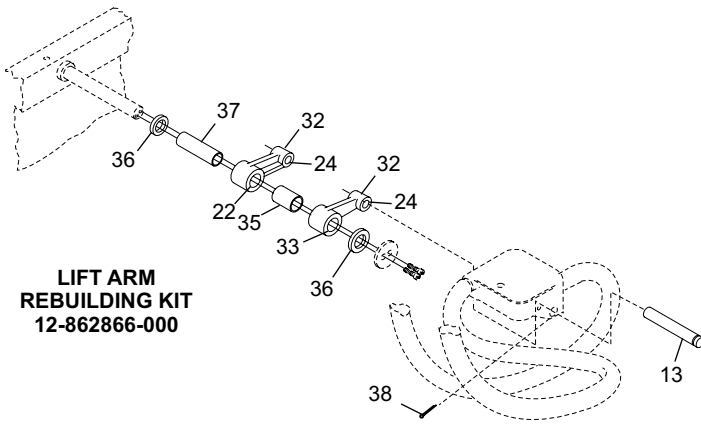
NOTE 2: Use Cotter Pin 11-335263-000.

NOTE 3: Use 11-002124-001 Bolt and 11-195016-001 lock washer.

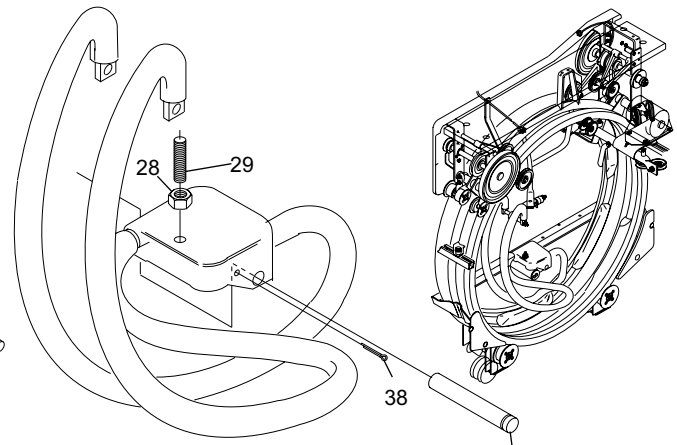
NOTE 4: This is an 18" split urethane rod cover for quick repair. Order (3) 11-603113-000 tie wrap for each 18" rod cover. Order 12-402042-000 Upper Rear Lift Rod Cap, for Model A

NOTE 5: Also can order 12-860614-000 "A" Cap Kit, which contains (3) 11-603201-000 Hose Clamp, (1) 11-603113-000 Cable Tie, (2) 12-402042-000 Front Rod Cover (Top), (1) 12-402432-000 Front Rod Cover (Bottom). For the A-2, please order 12-862860-000 "A-2" Cap Kit, which contains (3) 11-603201-000 Hose Clamp, (1) 11-603113-000 Cable Tie, (1) 12-402042-000 Front Rod Cover Top, (1) 12-402043-000 Rear Rod Cover Top, (1) Front Rod Cover Bottom.

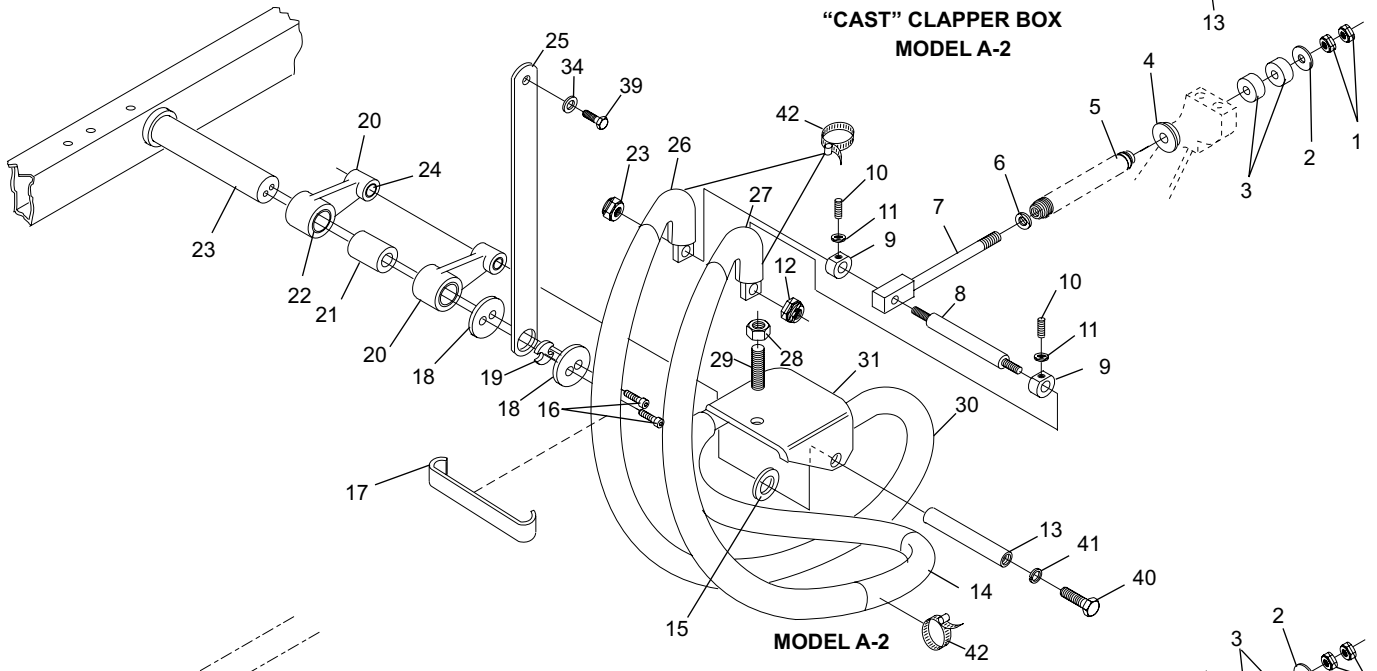
Elevator - Ball Lift



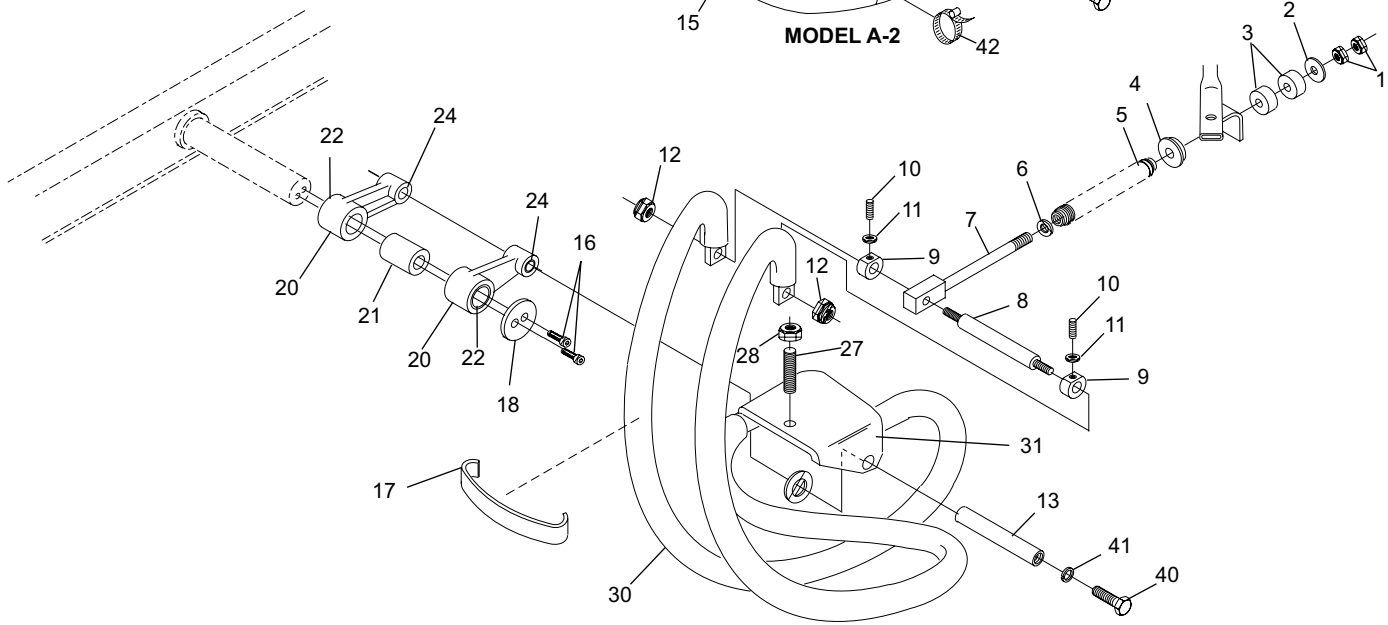
**LIFT ARM
REBUILDING KIT
12-862866-000**



**"CAST" CLAPPER BOX
MODEL A-2**



MODEL A-2



MODEL A

Elevator - Ball Lift

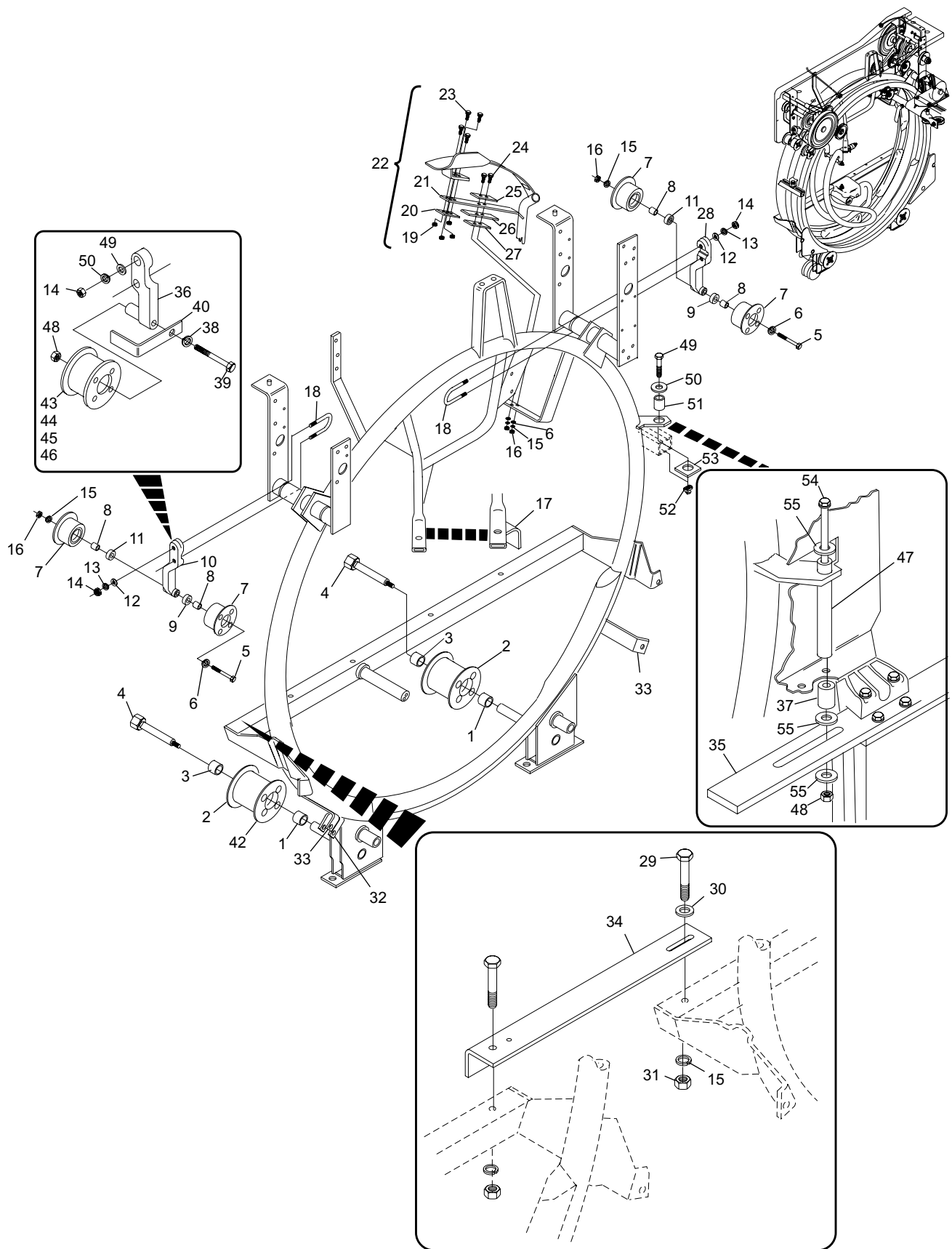
Index

No.	Part No.	Description
1.	12-400018-022	Spacer
2.	12-400263-000	Pin Wheel Roller Assembly
3.	12-400018-011	Spacer
4.	12-400284-00	0 Pin Wheel Roller Bolt
5.	11-001360-001	Hex Head Cap Screw (3/8-16 x 4")
6.	11-190014-001	Flat Washer (3/8)
7.	12-400266-000	Guide Roller Assembly - (Upper Pinwheel)
8.	12-400018-004	Spacer
9.	12-400018-021	Spacer
10.	12-400097-000	L.H. Guide Roll Arm, See Note 1
11.	12-400018-019	Spacer
	12-400018-015	Spacer
12.	11-190016-001	Flat Washer (7/16)
13.	11-195017-001	Lockwasher (7/16)
14.	11-125106-001	Hex Nut (7/16-14)
15.	11-195016-001	Lockwasher (3/8)
	11-195015-001	Lockwasher (5/16)
16.	11-125104-001	Hex Nut (3/8-16)
	11-125102-0	01 Hex Nut (5/16-18)
17.	N.A.	Bracket
18.	12-400285-000	U-Bolt
19.	11-170007-001	Hex Nut Nylock (1/4-20)
20.	12-400055-005	Plate
21.	12-400055-003	Spring Only
22.	12-400055-000	Wiper & Spring Assembly
23.	11-001183-001	Hex Head Cap Screw (1/4-20 x 7/8")
24.	11-002126-0	01 Hex Head Socket Cap Screw (3/8-16 x 1-1/2")
25.	12-400058-000	Plate
26.	12-400071-000	Pin Wiper Leaf Spring
27.	12-400225-000	Pin Wiper Shim
28.	12-400098-000	R.H. Guide Roll Arm
29.	11-001276-001	Hex Head Cap Screw (5/16-18 x 3")
30.	11-190012-001	Flat Washer - SAE (5/16)
31.	11-125009-001	Hex Nut (5/16-18)
32.	12-400328-000	Bracket
33.	12-400639-000	Bracket
34.	12-252348-000	Elevator Plate
35.	12-402039-000	Step Bar
36.	12-402110-000	Arm
37.	N.A.	Spacer
38.	11-195018-001	Lockwasher (1/2)
39.	11-001522-001	Hex Head Socket Cap Screw (1/2-13 x 4-1/2")
40.	12-402109-000	Guard - Pinwheel Guide Roller
41.	12-862823-000	Ball Guide Roller Assembly
42.	12-402107-000	Flange
43.	90-402108-000	Ball Wheel Guide Roller
44.	11-430007-000	Bearing (.6693 IDX1.5748 OD)
45.	12-402104-000	Bearing Shaft
46.	12-402105-000	Spacer
47.	12-400018-024	Spacer
48.	11-12108-001	Hex Nut (1/2-13)
49.	11-001515-000	Hex Head Socket Cap Screw (1/2-13 x 2-3/4")
	11-001517-001	Hex Head Socket Cap Screw (1/2-13 x 3-1/4")
50.	11-190022-001	Flat Washer (5/8)
51.	12-400018-006	Spacer
52.	11-180006-001	Clamping Nut & Spring (1/2-13)
53.	N.A.	Plate
54.	11-001531-001	Hex Head Socket Cap Screw (1/2-13 x 10-1/2")
55.	11-190521-001	Plain Washer

N.A. = No Longer Available

NOTE 1: When Replacing Machines with Steel Roller, Order New Spacer 12-400018-015.

Elevator Frame



Elevator Frame

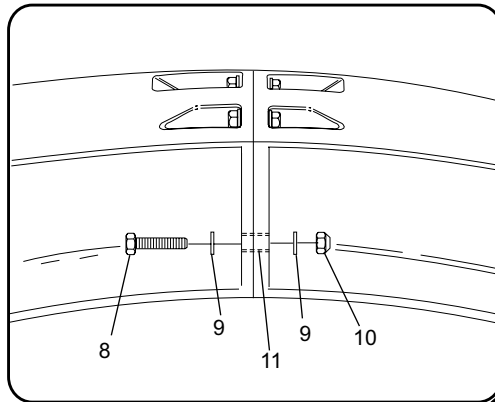
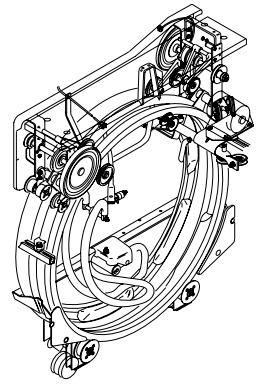
Index

No.	Part No.	Description
1.	N.A.	Pin Wheel Rear Bucket
2.	11-007264-001	Flat Head Socket Cap Screw (5/16-18 x 1")
3.	12-400183-000	Rubber Cord
4.	N.A.	Steel Pin Wheel
5.	12-400251-000	Rubber Cord
6.	12-400100-000	Button, Pin Wheel
7.	12-400104-000	Modular Pinwheel Segment
	12-860071-000	A2 Modular Pin Wheel with hardware
8.	11-001267-001	Hex Head Cap Screw (5/16-18 x 1-3/8"), See Note 1
9.	11-190012-001	Flat Washer - SAE (5/16)
10.	11-170009-001	Hex Nut Nylock (5/16-18)
11.	12-400335-000	Spacer

N.A. = No Longer Available

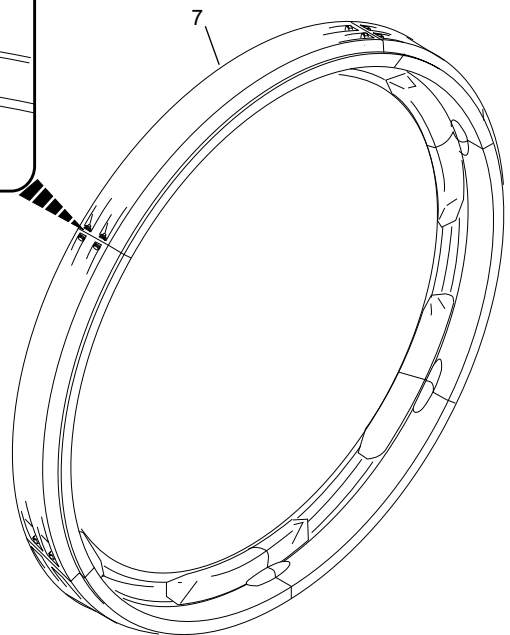
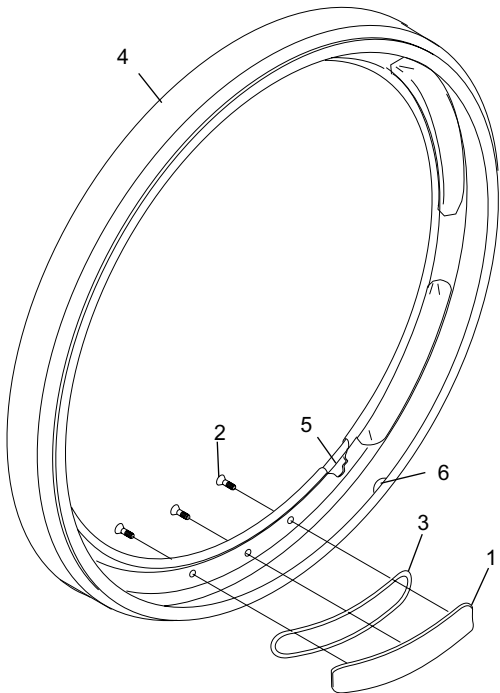
NOTE 1: Order 12-860035-000 Hardware Kit for Complete Set of Modular Pinwheel Hardware.

Elevator Pin Wheel



**ONE PIECE
PIN WHEEL**

**MODULAR
PIN WHEEL**



Elevator Pin Wheel

Index

No.	Part No.	Description
1.	12-860662-000	Ball Wheel
2.	11-007344-001	Flat Head Socket Cap Screw (3/8-16 x 1"), See Note 1
3.	12-400191-000	Special Washer
4.	12-400240-000	L.H. Ball Wheel Roller
5.	12-400256-000	Shaft
6.	12-400139-006	Washer
7.	11-196024-001	High Collar Lockwasher (5/8")
8.	11-345520-001	Roll Pin (3/8 x 2")
9.	11-004714-001	Hex Head Socket Cap Screw (5/8-18 x 2-1/2")
10.	12-862823-000	Ball Guide Roller Assembly, See Note 2
11.	12-400272-000	Ballwheel Guide Roller Assembly
	90-400272-000	Ball Wheel Guide Roller
12.	12-400018-005	Spacer
13.	12-400097-000	L.H. Guide Roll Arm, See Note 3
14.	11-190016-001	Flat Washer (7/16)
15.	11-195017-001	Lockwasher (7/16)
16.	11-125106-001	Hex Nut (7/16-14)
17.	11-001354-001	Hex Head Cap Screw (3/8-16 x 2-1/2")
18.	12-400285-000	U-Bolt
19.	12-400098-000	R.H. Guide Roll Arm, See Note 3
20.	11-195016-001	Lockwasher (3/8)
	11-195015-001	Lockwasher (5/16)
21.	11-125102-001	Hex Nut (5/16-18)
	11-125104-001	Hex Nut (3/8-16)
22.	12-400293-002	Spacer
23.	12-400291-000	Staright Spacer
	12-400294-000	Tapered Spacer
24.	12-400293-003	Spacer
25.	12-400268-000	Ballwheel Roller Assembly
26.	11-170007-001	Hex Nut (1/4-20)
27.	N.A.	Rd. Hd. Screw
28.	N.A.	Bracket
29.	11-530030-001	Retaining Ring
30.	11-005515-001	Hex Head Screw
31.	11-196020-001	Hi-Collar Lockwasher
32.	12-400645-000	Shaft
33.	N.A.	Shaft
34.	N	.A. Rear Plate & Pad Assembly
35.	12-400263-000	Pin Wheel Roll Assembly

NOTE 1: Some mechanics use 11-007180-001 instead.

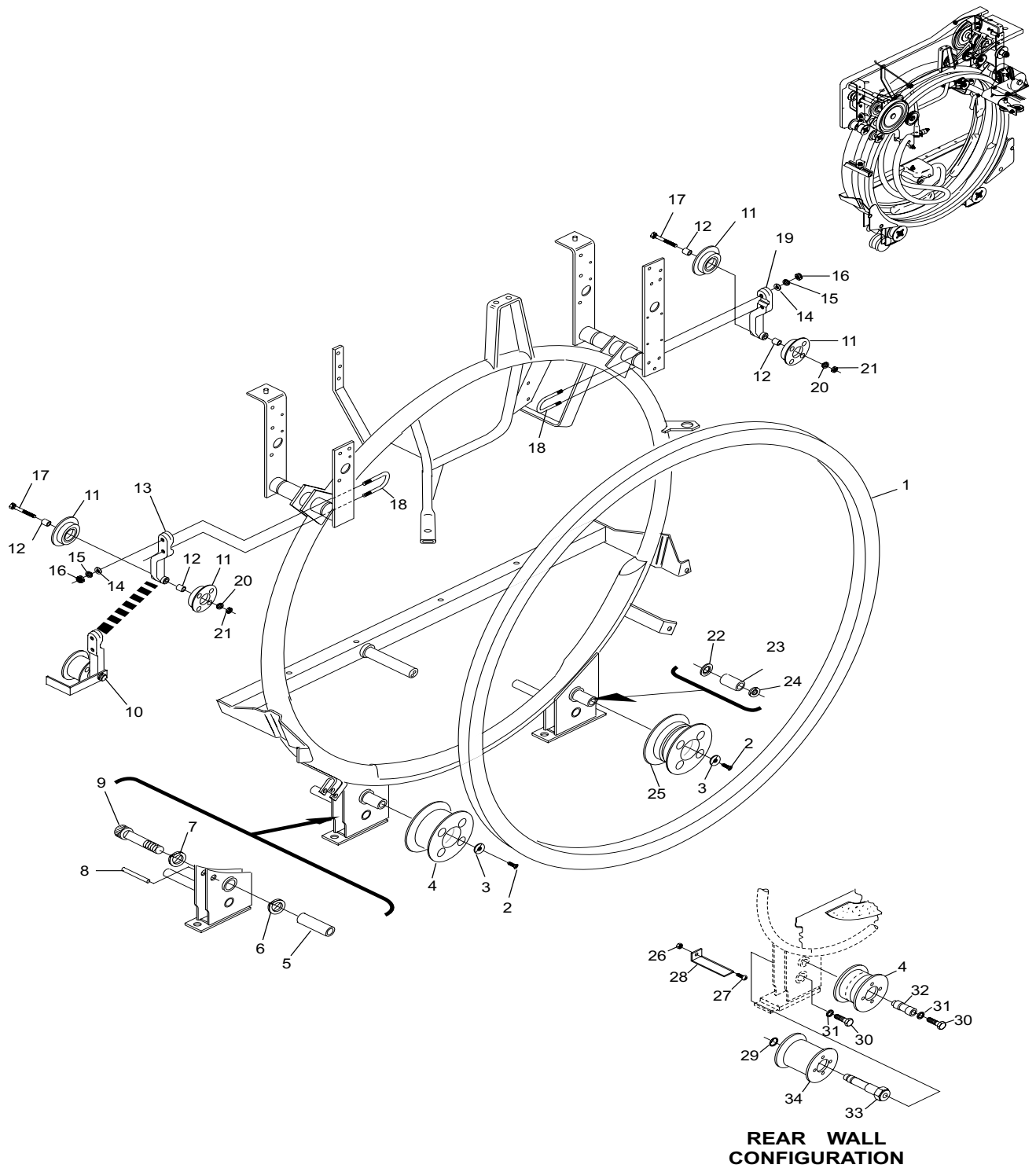
NOTE 2: Includes bracket guard and hardware.

NOTE 3: When replacing in machines with steel roller, order new spacer 12-400018-015.

NOTE 4: Also order the following:

11-125104-001 Hex Nut (3/8-16")
11-195016-001 Lockwasher (3/8")
11-190014-001 Flat Washer (3/8")

Elevator Frame

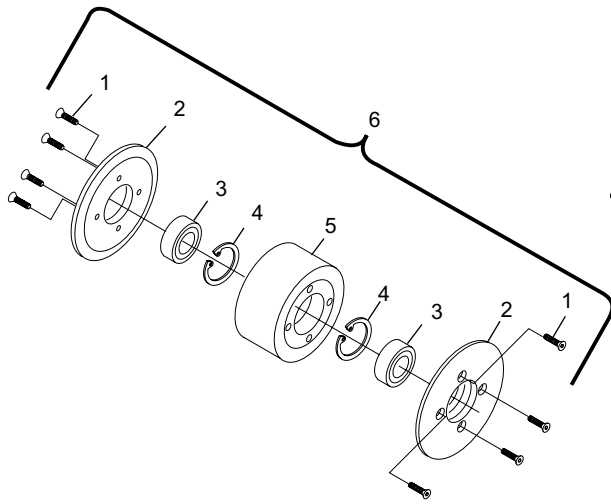


Elevator Frame

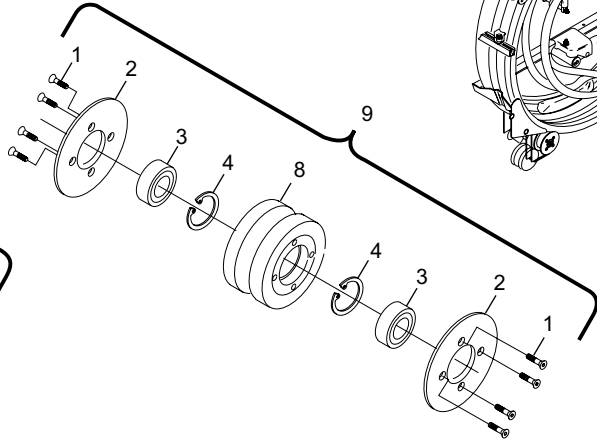
Index

No.	Part No.	Description
1.	11-007180-001	Flat Head Socket Cap Screw (1/4-20 x 5/8")
2.	12-40	0257-000 Flange
3.	11-430013-000	Ball Bearing
4.	11-531020-000	Inverted Internal Retaining Ring
5.	90-400258-000	L.H. Ball Wheel Roller
6.	12-400240-000	L.H. Ball Wheel Roller
7.	12-400262-000	Flange
8.	90-400260-000	R.H. Ball Wheel Roller
9.	12-400268-000	Ballwheel Roller Assembly
10.	90-400261-000	Hub & Tire - Lower Pin Wheel
11.	11-530522-000	Internal Retaining Ring
12.	12-400271-000	Hub & Tire - Upper Ballwheel Guide Roller
13.	11-430004-000	Ball Bearing
14.	12-400269-000	Flange
15.	12-400272-000	Ballwheel Guide Roller Assembly
16.	90-400272-000	Ball Wheel Guide Roller, Urethane- One Piece
17.	11-432000-000	Ball Bearing
18.	90-400264-000	Pin Wheel Guide Roller
19.	12-400265-000	Flange - (Upper Pinwheel Guide Roller)
20.	12-400266-000	Guide Roller Assembly - (Upper Pinwheel)
21.	12-400263-000	Pin Wheel Roller Assembly

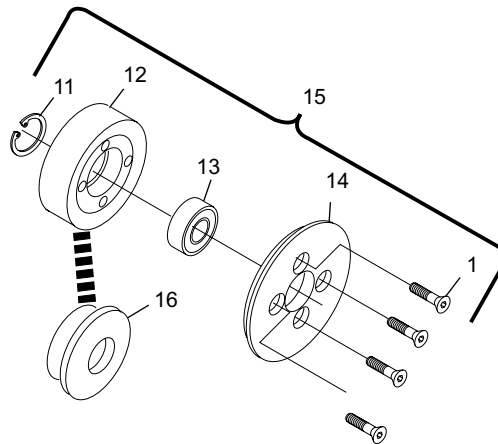
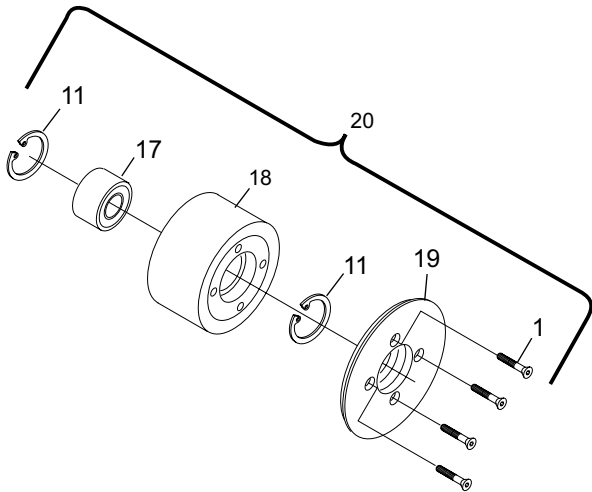
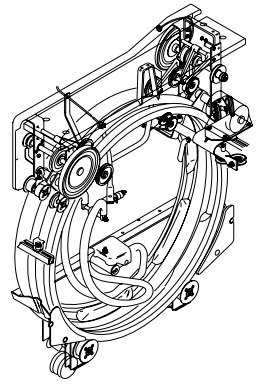
Elevator Guide Rollers



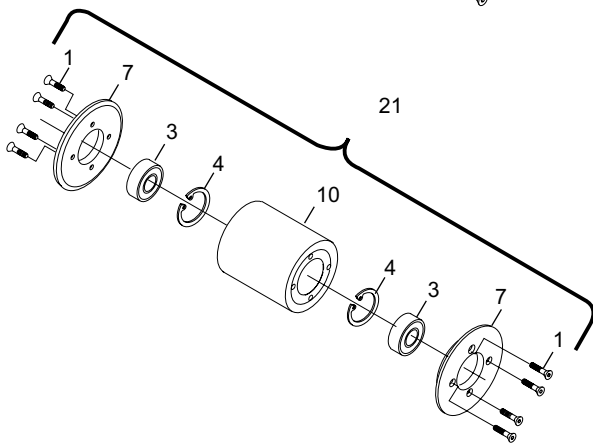
BALL WHEEL ROLLER ASSEMBLY LEFT-HAND



BALL WHEEL ROLLER ASSEMBLY RIGHT-HAND



BALL WHEEL GUIDE ROLLER ASSEMBLY



PIN WHEEL ROLLER ASSEMBLY

Elevator Guide Rollers

Index

No.	Part No.	Description
1.	12-400018-002	Spacer
2.	12-400018-006	Spacer
3.	12-400018-007	Spacer
4.	12-400018-008	Spacer
5.	12-400281-000	Collar
6.	12-400018-016	Spacer
7.	12-400018-023	Spacer
8.	12-400018-017	Spacer
9.	12-400252-000	Torsion Spring
10.	11-105200-001	Set Screw - Headless (5/16-18 x 1/4")
11.	12-400810-000	Drive Shaft
12.	12-400254-000	Arm & Bearing Assembly
13.	12-400027-000	Idler Arm Stud
14.	12-400030-000	Bearing Bushing
15.	12-400031-002	Spring Post
16.	12-400031-003	Spring Post
17.	12-400031-004	Post
18.	12-400031-005	Post
19.	12-400033-000	Bearing Retainer
20.	12-400035-004	Sheave
21.	12-400035-003	Sheave
	12-400035-005	Sheave
22.	12-400035-006	Sheave
23.	12-400035-008	Sheave
24.	12-400035-009	Sheave
25.	12-400036-000	Bushing
26.	12-400046-000	Rear Guard Assembly
27.	12-400136-000	Plug
28.	12-252348-000	Elevator Plate
29.	12-400068-000	Bumper
30.	12-400219-000	Idler Pulley Assembly
31.	12-400221-000	Idler Pulley Assembly
32.	12-400837-000	L.H. Wheel Guard Assembly
	90-400840-000	Universal Ballwheel Guard
33.	12-402413-000	Pin Deflector
34.	11-007186-001	Flat Head Socket Cap Screw (1/4-20 x 1-1/4")
35.	11-190010-001	Flat Washer (1/4)
36.	11-170007-001	Hex Nut Nylock (1/4-20)
37.	11-001180-001	Hex Head Cap Screw (1/4 x 5/8")
38.	11-195014-001	Lockwasher (1/4)
39.	12-400838-000	R.H. Wheel Guard Assembly
	90-400840-000	Universal Ballwheel Guard
40.	12-400297-000	Idler Pulley Assembly
41.	12-862163-000	Magnetic Clutch Assembly
42.	11-430045-000	Ball Bearing
43.	12-400126-000	Pinwheel Drive Wheel Assembly
	12-402126-000	Pin Wheel Drive Pulley
44.	11-420045-000	Sleeve Oilite Bearing
45.	12-400209-000	Idler Pulley Assembly
46.	12-400302-000	Idler Pulley Bracket, See Note 1
47.	12-400138-002	Square Key
48.	12-400138-003	Key
49.	12-400138-004	Key
50.	12-400138-006	Key
51.	12-400139-003	Washer
52.	11-190024-001	Washer
53.	12-400804-000	Collar
54.	11-105201-001	Headless Set Screw (5/16-18 x 5/16")
55.	12-750071-000	Twist Lock Plug
56.	N.A.	Wire Nut
57.	11-001342-001	Hex Head Cap Screw (3/8-16 x 3/4")
58.	11-125102-000	Hex Nut (5/16-18)
59.	11-195015-001	Lockwasher (5/16)
60.	11-125104-001	Hex Nut (3/8-16)
61.	11-001344-001	Hex Head Cap Screw (3/8-16 x 1")
62.	N.A.	Plate
63.	11-001515-000	Hex Head Socket Cap Screw (1/2-13 x 2-3/4")
	11-001517-001	Hex Head Socket Cap Screw (1/2-13 x 3-1/4")
64.	11-002001-001	Hex Head Socket Cap Screw (1/4-20 x 5/8")
65.	11-005183-001	Hex Head Socket Cap Screw (1/4-20 x 7/8")

Index

No.	Part No.	Description
66.	11-002004-001	Hex Head Cap Screw (1/4-20 x 1")
67.	11-002247-000	Hex Head Socket Cap Screw (1/2-13 x 1-3/4")
68.	N.A.	Stripper Bolt
69.	11-001357-001	Hex Head Cap Screw (3/8-16 x 3-1/4"), See Note 3
70.	11-001359-001	Hex Head Cap Screw (3/8-16 x 3-3/4"), See Note 2
71.	11-106563-000	Stripper Bolt
72.	11-001354-001	Hex Head Cap Screw (3/8-16 x 2-1/2"), See Note 3
73.	11-001436-001	Hex Head Socket Cap Screw (7/16-14 x 3"), See Note 4
74.	11-125100-001	Hex Nut (1/4-20)
75.	11-125106-001	Hex Nut (7/16-14)
76.	11-125108-001	Hex Nut (1/2-13)
77.	12-400018-024	Spacer
78.	11-180006-001	Clamping Nut & Spring (1/2-13)
79.	11-190014-001	Flat Washer (3/8)
80.	11-190016-001	Flat Washer (7/16)
81.	11-190022-001	Flat Washer (5/8)
82.	11-190024-000	Plain Washer (7/8)
83.	10-050005-000	Eye Bolt
84.	11-125202-001	Hex Jam Nut (5/16-18)
85.	11-195016-001	Lockwasher (3/8)
86.	11-195017-001	Lockwasher (7/16)
87.	11-195018-001	Lockwasher (1/2)
88.	12-400018-025	Spacer
89.	11-421019-000	Flanged Oilite Bearing
90.	10-430001-000	Ball Bearing, w/ Snap Ring
91.	N.A.	Bearing, w/o Snap Ring
92.	11-651004-000	Grommet
93.	12-400273-000	Carriage Bolt (1/2-13 x 1-1/4"), See Note 2
94.	12-402422-000	Pin Wheel Brake
95.	11-606200-000	Pin Deflector Cord
96.	12-402429-000	Hook
97.	12-100185-014	Spacer
98.	11-125203-001	Hex Jam Nut (5/16-24)
99.	12-400323-000	Special Washer
100.	12-400317-002	Gear
101.	12-400322-000	Adjusting Nut
102.	11-195020-001	Lockwasher (5/8)
103.	12-400321-000	Spacer
104.	11-430007-000	Bearing (.6693 IDX1.5748 OD)
105.	11-360415-001	Spirol Pin (5/32 x 1-1/8")
106.	11-531511-001	Beveled Retaining Ring (1.693 O.D.)
107.	12-400320-000	Shaft
108.	12-400316-000	Bearing Housing
109.	11-190012-001	Flat Washer - SAE (5/16)
110.	11-190521-001	Plain Washer
111.	11-001262-000	Hex Head Cap Screw (5/16-18 x 3/4")
112.	12-400319-000	Spacer
113.	12-400035-012	Sheave (3.80" O.D.)
114.	12-400138-007	Square Key
115.	12-400138-008	Rectangular Key
116.	12-100170-012	Washer
117.	11-001531-001	Hex Head Socket Cap Screw (1/2-13 x 10-1/2")
118.	11-001222-001	Hex Head Socket Cap Screw (1/4-28 x 3/4")
119.	11-001346-001	Hex Head Cap Screw (3/8-16 x 1-1/4")
120.	11-006504-001	Button Head Socket Cap Screw (1/2-13 x 1")
121.	12-400318-000	Washer
122.	12-400317-003	Pinion
123.	12-400139-005	Special Washer
124.	12-400324-000	Shield Assembly

N.A. = No Longer Available

NOTE 1: When ordering Bracket P/N 12-400302-000 for machines prior to S/N 4501, also add Washer P/N

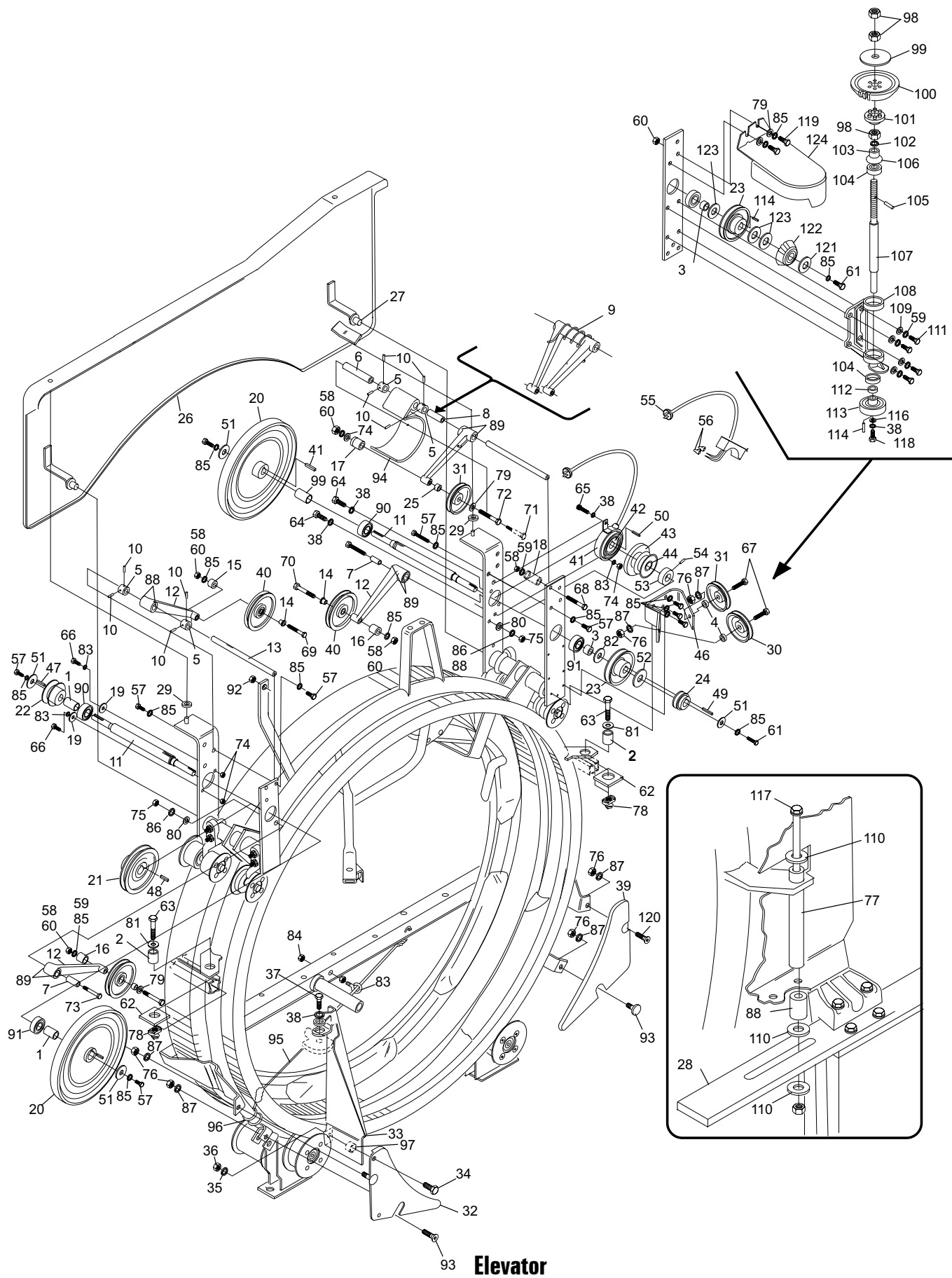
11-190024-000 behind Pulley P/N 12-400035-009.

NOTE 2: Also order 11-195016-000 Lockwasher and 11-125104-000 Nut.

NOTE 3: Also order 11-125104-000 Nut, 11-195016 Lockwasher, and 11-190014-000 Washer (2).

NOTE 4: Also order 11-195017-000 Lockwasher, 11-125106-000 Nut, 11-190016-000 Washer, and 12-400018-023 Spacer.

Elevator

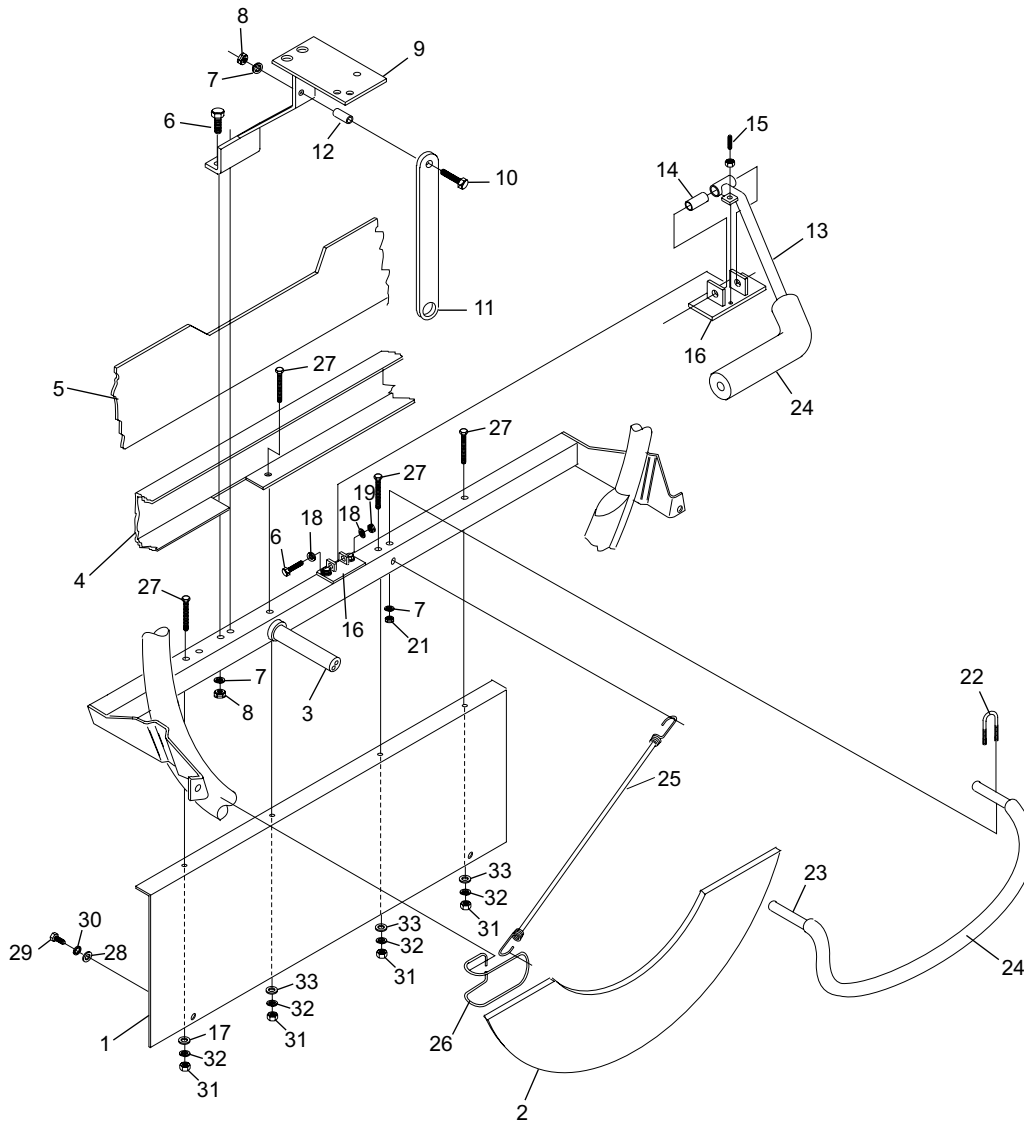
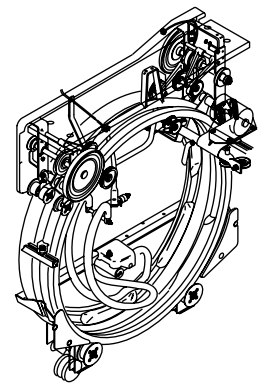


Elevator

Index

No.	Part No.	Description
1.	12-400805-000	Rear Plate & Pad
2.	12-400807-000	Rear Plate Pad
3.	12-400149-000	Shaft
4.	12-402401-000	Bracket Assembly
5.	12-402405-000	Rear Pin Deflector
6.	11-001275-001	Hex Head Cap Screw (5/16-18 x 2-3/4")
7.	11-195015-001	Lockwasher (5/16)
8.	11-125102-001	Hex Nut (5/16-18)
9.	12-862180-000	Support Arm Assembly
10.	11-001272-001	Hex Head Cap Screw (5/16-18 x 2")
11.	12-402425-000	Support Brace
12.	11-387264-002	Rolled Spacer (5/16 X 1")
13.	12-860229-600	Advanced Performance Ball Spinning/Jam Eliminator Kit
	12-860583-000	Spinning Ball Eliminator
14.	12-860583-002	Pivot Spacer
15.	11-102215-000	Headless Socket Set Screw
16.	12-860583-004	Mounting Plate Assembly
17.	11-190010-001	Flat Washer (1/4)
18.	11-190012-001	Flat Washer - SAE (5/16)
19.	11-170009-001	Hex Nut Nylock (5/16-18)
20.	11-195014-001	Lockwasher (1/4)
21.	11-170011-001	Hex Nut Nylock (3/8-16)
22.	12-502171-000	U-Bolt
23.	12-502172-000	Ball Guide Rod
24.	12-400048-005	Rod Cover (90" Tan)
	12-400048-091	Gum Rubber Ball Rod Cover (50' Tan)
	90-400048-000	Heavy-Duty Ball Lift Rod Cover (50' Red)
	90-400048-600	Advanced Performance Urethane Foam Rod Cover (3 per package)
	12-860583-003	Arm Cover SBE
25.	11-606200-000	Pin Deflector Cord
26.	12-402429-000	Hook
27.	11-001195-001	Hex Head Cap Screw (1/4-20 x 2-3/4")
28.	11-190014-001	Flat Washer (3/8)
29.	11-001342-001	Hex Head Cap Screw (3/8-16 x 3/4")
30.	11-195016-001	Lockwasher (3/8)
31.	11-125100-001	Hex Nut (1/4-20)

Elevator Rear

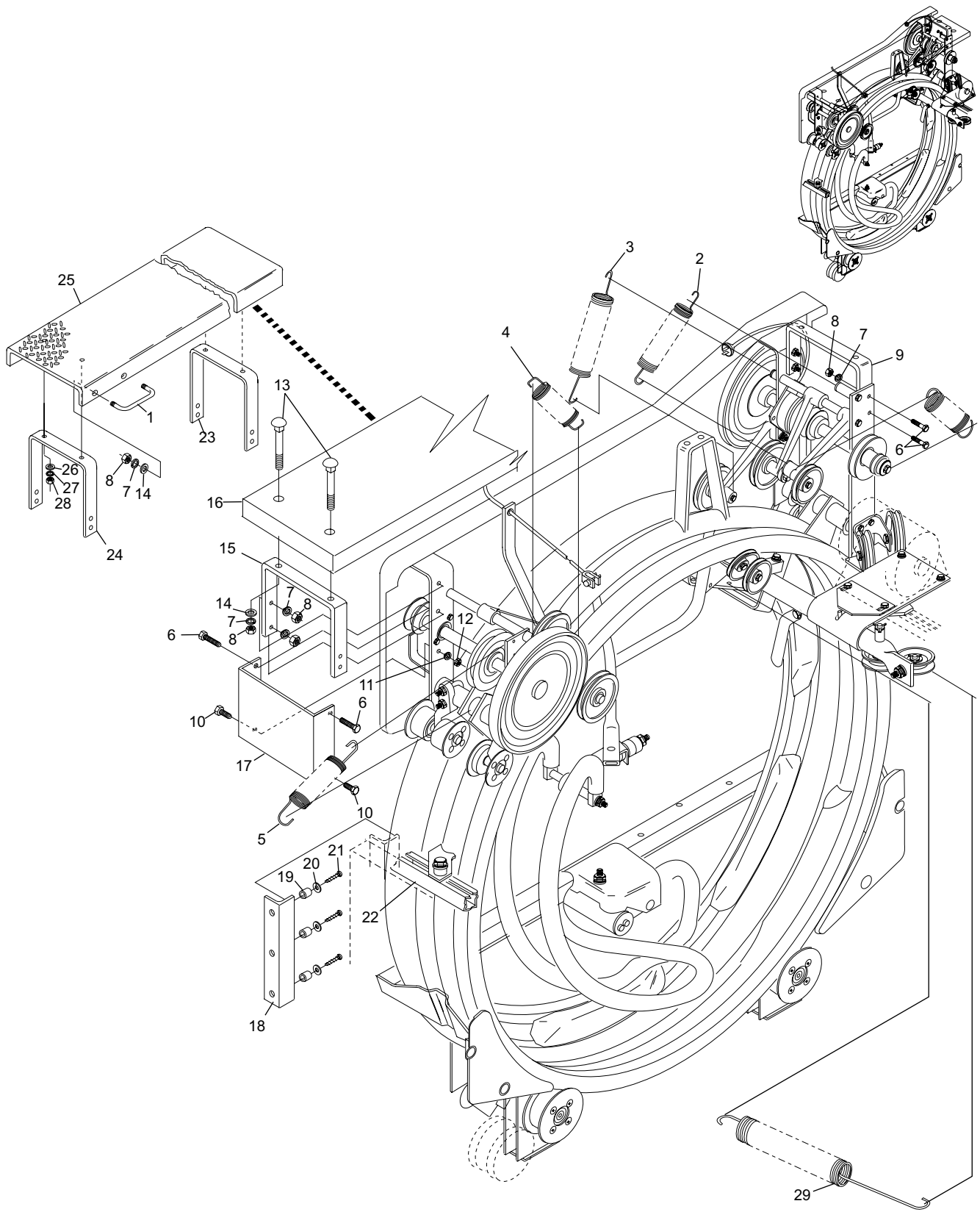


Elevator - Rear

Index

No.	Part No.	Description
1.	12-402076-000	Handle
2.	N.A.	Tension Spring
3.	12-400040-000	Tension Spring
4.	12-400194-000	Tension Spring
5.	12-400042-000	Tension Spring
6.	11-001344-001	Hex Head Cap Screw (3/8-16 x 1")
7.	11-195016-001	Lockwasher (3/8)
8.	11-125104-001	Hex Nut (3/8-16)
9.	N.A.	Bracket
10.	11-001182-001	Hex Head Cap Screw (1/4-20 x 3/4")
11.	11-195014-001	Lockwasher (1/4)
12.	11-125100-001	Hex Nut (1/4-20)
13.	12-400210-000	Step Bolt
14.	11-190014-001	Flat Washer (3/8)
15.	N.A.	Bracket
16.	N.A.	Board
17.	12-400216-000	Ball Wheel Guard Assembly
18.	N.A.	Guard
19.	N.A.	Spacer
20.	11-190006-001	Flat Washer - SAE (#10)
21.	11-042095-001	Round Head Slotted Wood Screw (#10 x 1")
22.	N.A.	Channel
23.	12-402072-000	R.H. Bracket (Steel Catwalk)
24.	12-402073-000	L.H. Bracket (Steel Catwalk)
25.	N.A.	Catwalk, Steel
26.	11-190012-001	Flat Washer - SAE (5/16)
27.	11-195015-001	Lockwasher (5/16)
28.	11-125009-001	Hex Nut (5/16-18)
29.	12-400806-002	Spring
	12-400806-003	Spring Hook

N.A. = No Longer Available



Elevator Assembly

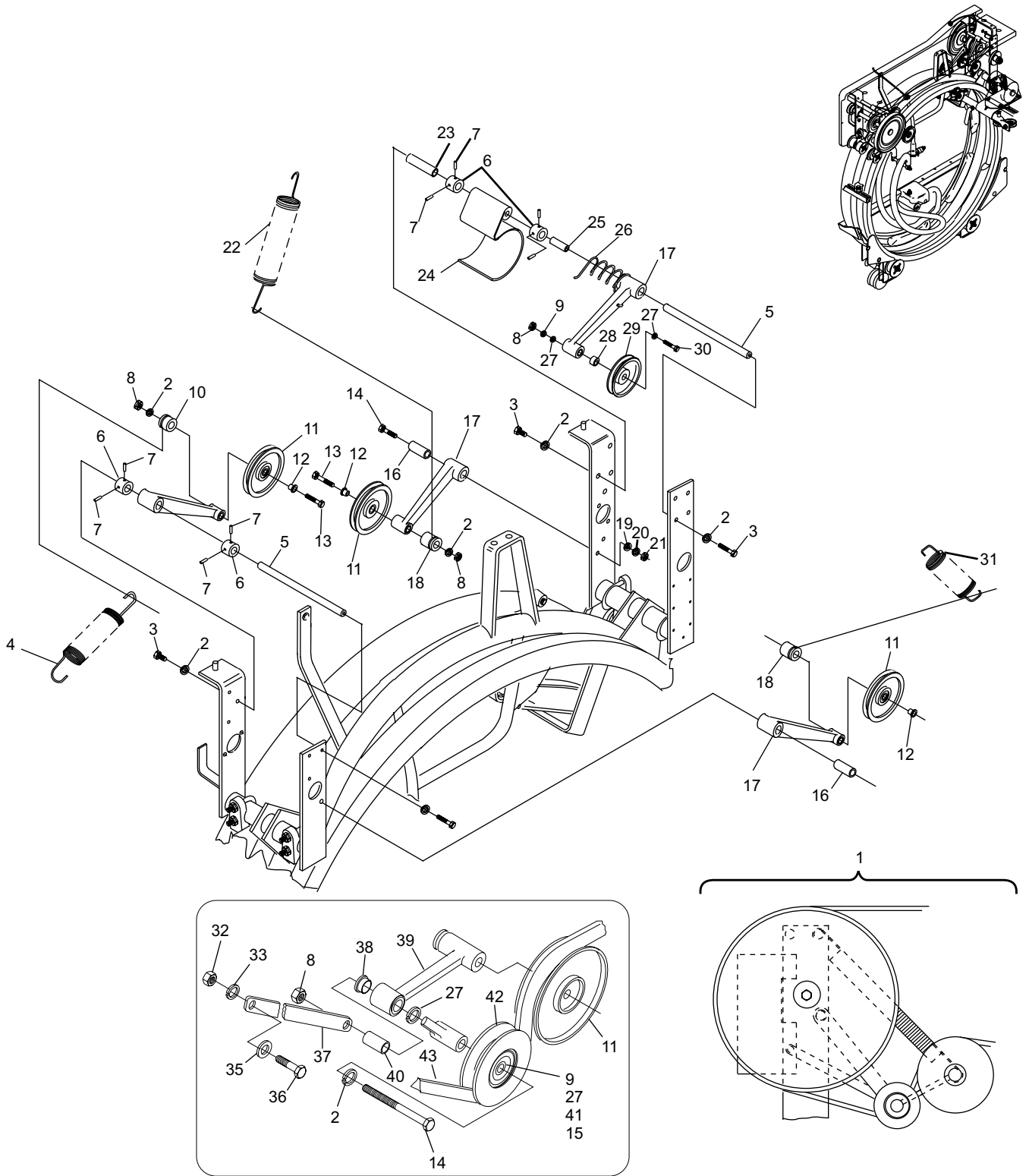
Index

No.	Part No.	Description
1.	N.A.	Motor to Elevator Belt Conversion Kit-See Note 1
2.	11-195016-001	Lockwasher (3/8)
3.	11-001342-001	Hex Head Cap Screw (3/8-16 x 3/4")
4.	12-400042-000	Tension Spring
5.	12-400027-000	Idler Arm Stud
6.	12-400281-000	Collar
7.	11-105200-001	Set Screw - Headless (5/16-18 x 1/4")
8.	11-125102-001	Hex Nut (5/16-18)
	11-125104-001	Hex Nut (3/8-16)
9.	53-520025-000	Idler Sheave Only
10.	12-400031-002	Spring Post
11.	12-400297-000	Idler Pulley Assembly
12.	12-400030-000	Bearing Bushing
13.	11-001357-001	Hex Head Cap Screw (3/8-16 x 3-1/4")
14.	11-001359-001	Hex Head Cap Screw (3/8-16 x 3-3/4")
15.	11-430028-000	Ball Bearing
16.	12-400018-023	Spacer
17.	12-400254-000	Arm & Bearing Assembly
18.	12-400031-003	Spring Post
19.	11-190016-001	Flat Washer (7/16)
20.	11-195017-001	Lockwasher (7/16)
21.	11-125106-001	Hex Nut (7/16-14)
22.	12-400040-000	Tension Spring
23.	12-400018-016	Spacer
24.	12-402422-000	Pin Wheel Brake
25.	12-400018-017	Spacer
26.	12-400252-000	Torsion Spring
27.	11-190014-001	Flat Washer (3/8)
28.	12-400036-000	Bushing
29.	12-400209-000	Idler Pulley Assembly
	12-400221-000	Idler Pulley Assembly
30.	11-001354-001	Hex Head Cap Screw (3/8-16 x 2-1/2")
31.	12-400194-000	Tension Spring
32.	11-125100-001	Hex Nut (1/4-20)
33.	11-195014-001	Lockwasher (1/4)
34.	12-402441-000	Bearing Bushing
35.	11-191010-001	Flat Washer (1/4)
36.	11-001183-001	Hex Head Cap Screw (1/4-20 x 7/8")
37.	12-402437-000	Support Brace
38.	11-421110-000	Flanged Oilite Bearing
39.	12-402442-000	Idler Pulley Assembly
40.	12-402445-000	Spacer
41.	11-530531-000	Internal Retaining Ring
42.	12-402443-000	Idler Pulley Assembly
43.	10-635315-000	V-Belt (Motor to Elevator)

N.A. = No Longer Available

NOTE 1: When ordering Bracket P/N 12-400302-000 for machines prior to S/N 4501, also order Washer P/N 11-190025-000 and Behind Pulley P/N 12-400035-009.

Elevator Drive



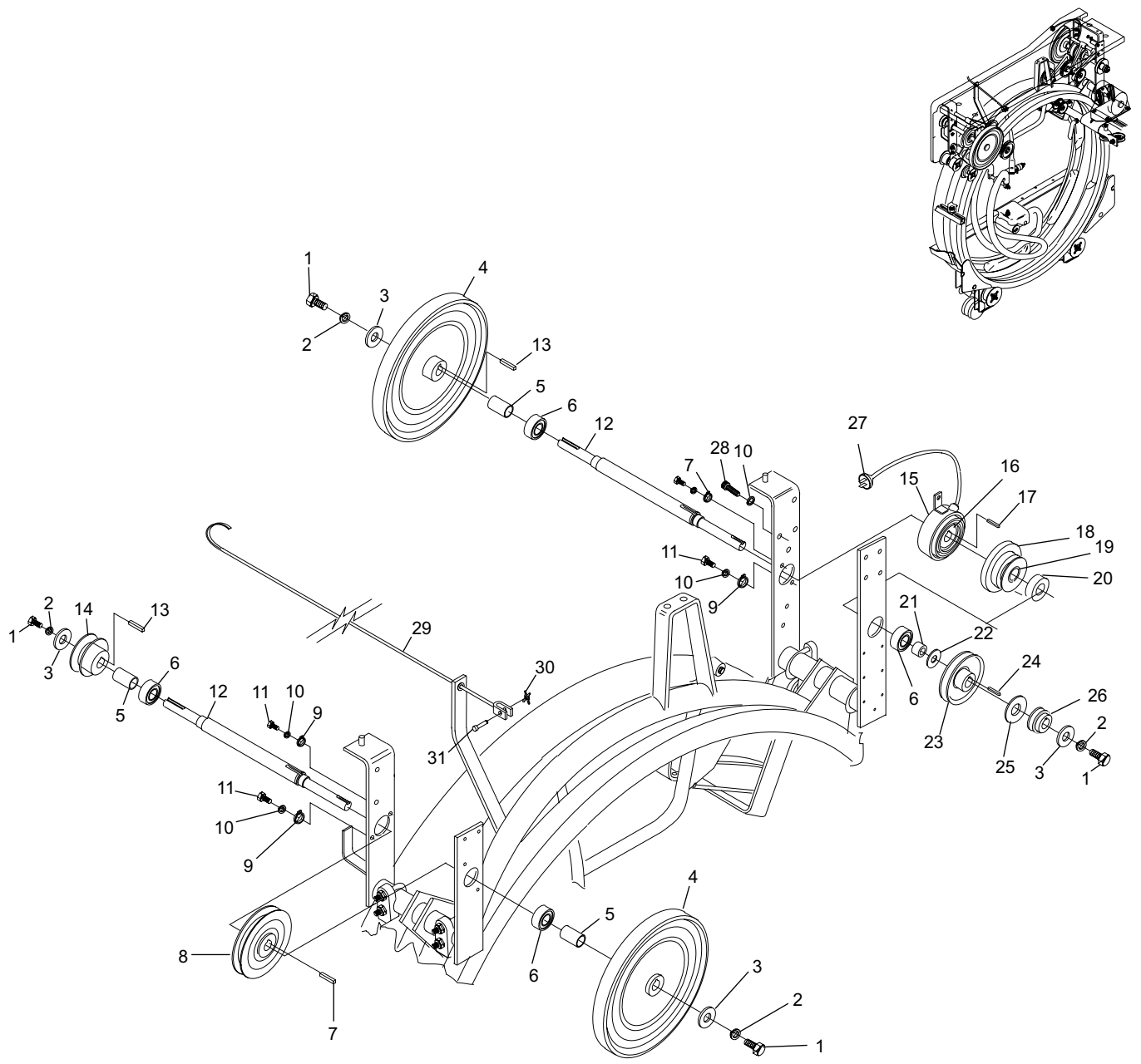
1
MOTOR TO ELEVATOR BELT
CONVERSION KIT

Elevator Drive

Index

No.	Part No.	Description
1.	11-001342-001	Hex Head Cap Screw (3/8-16 x 3/4")
2.	11-195016-001	Lockwasher (3/8)
3.	12-400139-003	Washer
4.	12-400035-004	Sheave
5.	12-400018-002	Spacer
6.	10-430001-000	Ball Bearing, w/ Snap Ring
	11-430015-000	Ball Bearing
7.	12-400138-003	Key
8.	12-400035-003	Sheave
	12-400035-005	Sheave
9.	12-400033-000	Bearing Retainer
10.	11-195014-001	Lockwasher (1/4)
11.	11-002004-001	Hex Head Cap Screw (1/4-20 x 1")
12.	12-400810-000	Drive Shaft
13.	12-400138-002	Square Key
14.	12-400035-006	Sheave
15.	12-862163-000	Magnetic Clutch Assembly
16.	11-430045-000	Ball Bearing
17.	12-400138-006	Key
18.	12-402126-000	Pin Wheel Drive Pulley
	12-400126-000	Pinwheel Drive Wheel Assembly
19.	11-420045-000	Sleeve Oilite Bearing
20.	12-400804-000	Collar
21.	12-400018-007	Spacer
22.	12-400139-005	Special Washer
23.	12-400035-008	Sheave
24.	12-400138-004	Key
25.	11-190024-000	Plain Washer (7/8)
26.	12-400035-009	Sheave
27.	12-150071-000	Pin
28.	11-005183-001	Hex Head Socket Cap Screw (1/4-20 x 7/8")
29.	12-100213-000	Trip Rod Assembly
30.	11-230000-001	X-Washer (3/32)
31.	12-100318-003	X-Washer Pin

Elevator Drive



Elevator Drive

Section J

Cross Conveyor

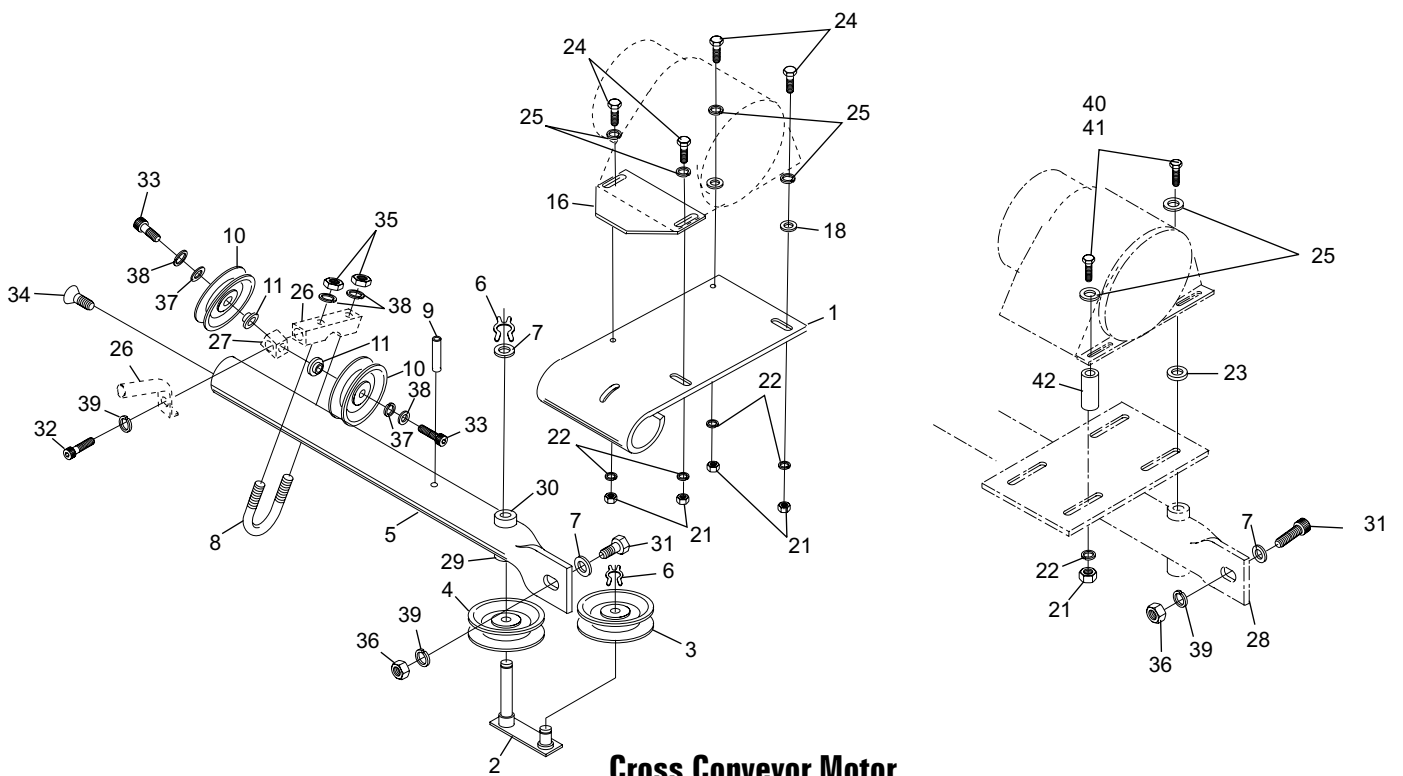
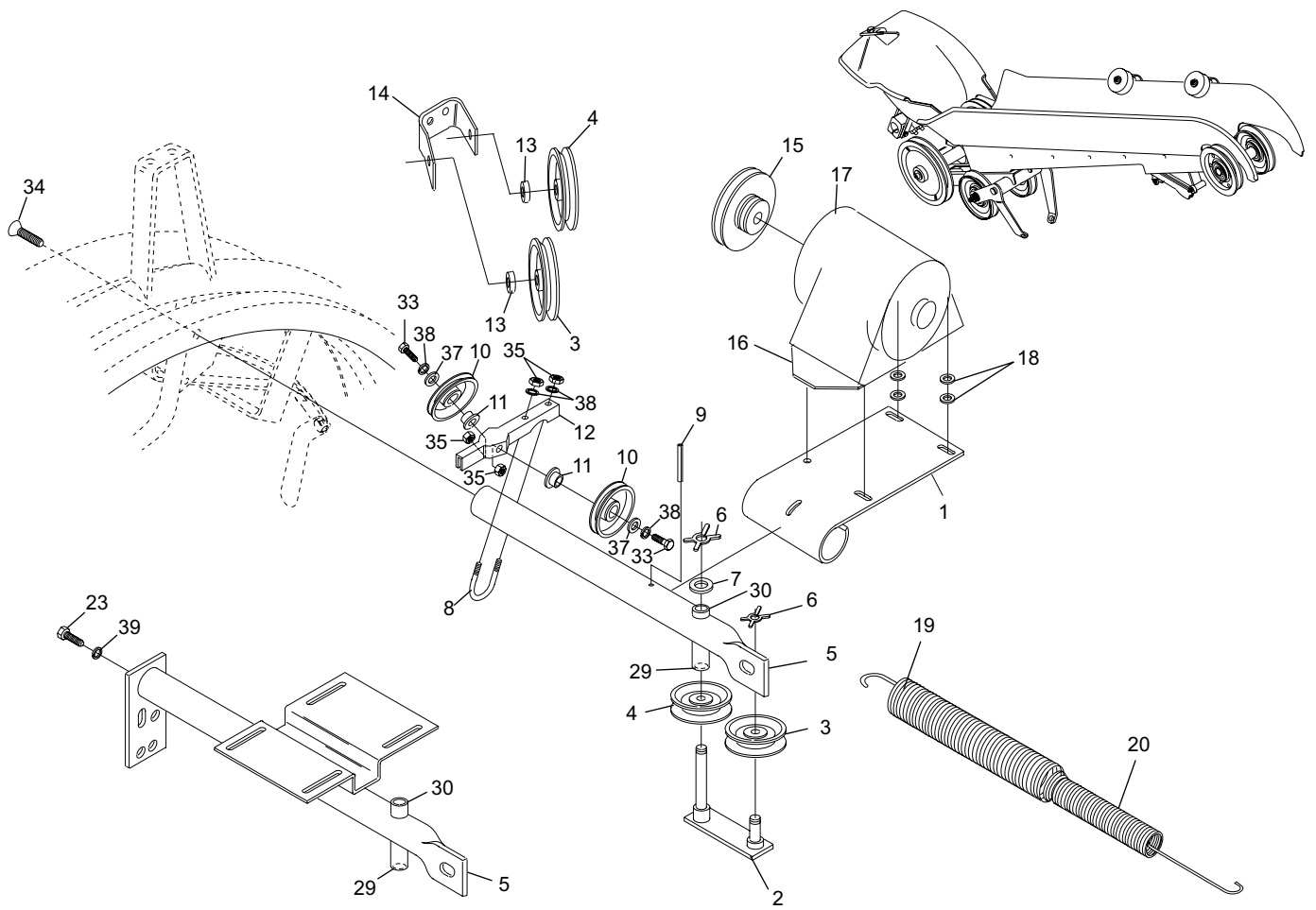
Index	Part Number	Description
1.	12-400101-000	Mount
2.	12-402059-000	Tension Lever Assembly, for A machines
	12-400059-000	Tension Lever Assembly, for A2 machines
3.	12-400219-000	Idler Pulley Assembly
4.	12-400221-000	Idler Pulley Assembly
5.	12-402280-000	Motor Mount Shaft Assembly
	12-402350-000	Motor Mount Shaft Assembly, for converted A2 machines
6.	11-230005-001	"X" Washer (1/4)
7.	11-190018-001	Flat washer (1/2)
8.	12-400022-000	U-Bolt
9.	11-345521-000	Roll Pin - (.375 X 2-1/4")
10.	12-400209-000	Idler Pulley Assembly, See Note 1
11.	12-400131-000	Spacer
12.	12-400311-000	Pulley Arm
13.	12-400018-008	Spacer
14.	12-400302-000	Idler Pulley Bracket
15.	12-402081-000	Motor Pulley, A-2 (60 cycle) 7.75
	12-502410-000	Motor Pulley, Jet Back 6.25
	12-400081-000	Motor Pulley, A machine 5.25
16.	12-400230-000	Plate
17.	12-752056-000	Pinsetter Motor (115/230V 50/60 Hz)
18.	11-190529-001	Plain Washer
19.	12-400806-002	Spring
20.	12-400806-003	Spring Hook
21.	11-125102-000	Hex Nut (5/16-18)
22.	11-195015-001	Lockwasher (5/16)
23.	11-001506-000	Hex Head Cap Screw (1/2-13 x 1-1/4")
24.	11-001266-001	Hex Head Cap Screw (5/16-18 x 1-1/4")
25.	11-190012-001	Flat Washer - SAE (5/16)
26.	N.A.	Idler Pulley Arm- See Note 2
27.	N.A.	Idler Pulley Bracket
28.	N.A.	Motor Mount Shaft Assembly
29.	11-420014-000	Bearing (.5025 I.D. X .6275 O.D.)
30.	11-421014-000	Bearing (.502 I.D. X .627 O.D.)
31.	11-001510-001	Hex Head Socket Cap Screw (1/2-13 x 1-3/4")
32.	N.A.	Hex Head Socket Cap Screw (1/2-13 x 1-1/2")
33.	11-005183-001	Hex Head Socket Cap Screw (1/4-20 x 7/8")
34.	11-007504-000	Hex Head Socket Cap Screw (1/2-13 x 1")
35.	11-125100-001	Hex Nut (1/4-20)
36.	11-125108-001	Hex Nut (1/2-13)
37.	11-190010-001	Flat Washer (1/4)
38.	11-195014-001	Lockwasher (1/4)
39.	11-195018-001	Lockwasher (1/2)
40.	11-001268-001	Hex Head Cap Screw (5/16-18 x 1-1/2")
41.	11-001276-001	Hex Head Cap Screw (5/16-18 x 3")
42.	10-386089-000	Spacer (11/32 x 1-1/2)

N.A. = No Longer Available

NOTE 1: Order 12-400221-000 for the Idler Pulley, V-Belt

NOTE 2: Order Idler Pulley Arm P/N 12-400311-000 and (2) 11-002005-000

Cross Conveyor Motor



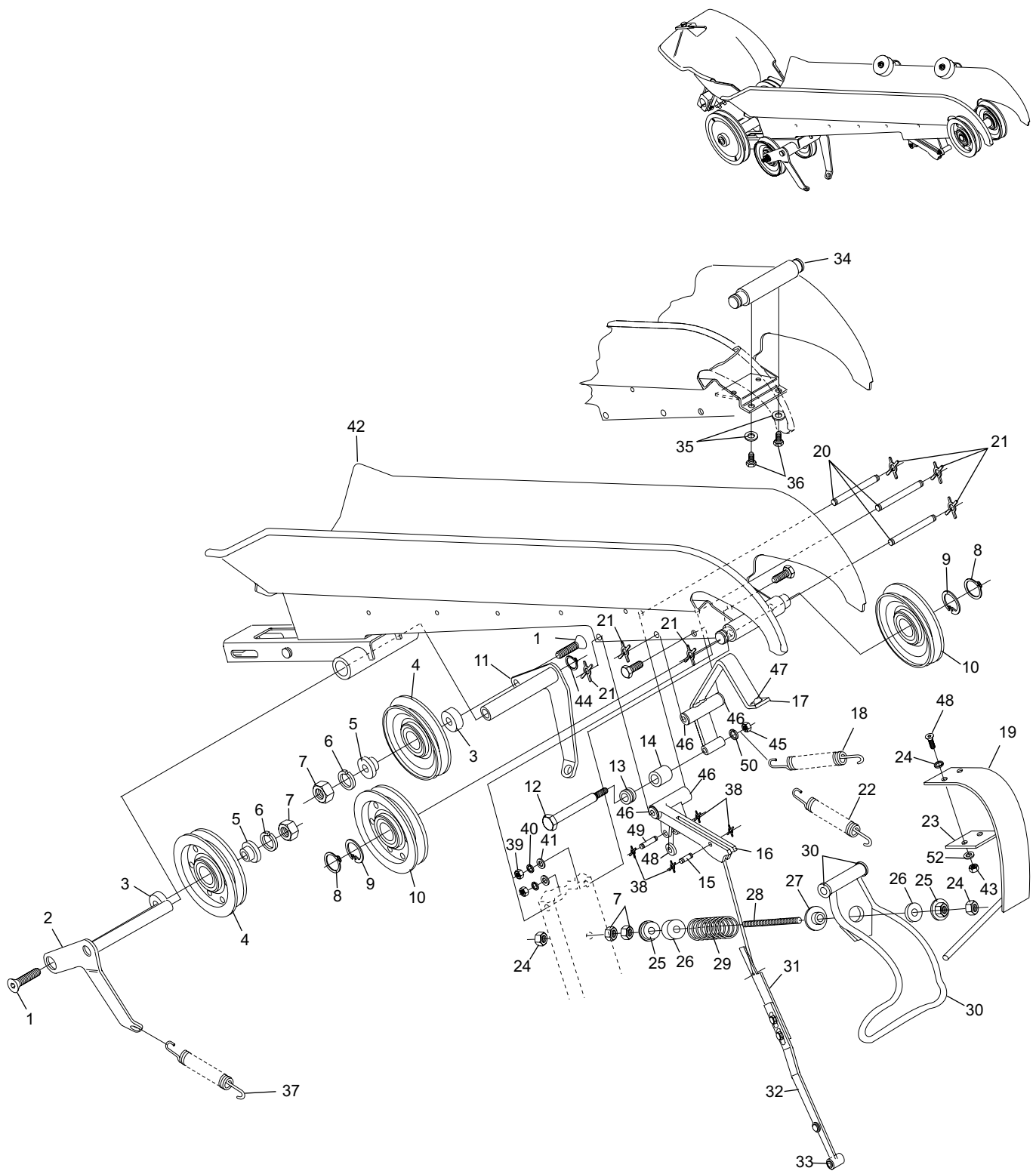
Cross Conveyor Motor

Index

No.	Part No.	Description
1.	11-007348-001	Flat Head Socket Cap Screw (3/8-16 x 1-1/2")
2.	12-450015-000	Lever Assembly
3.	12-450026-004	Spacer
4.	12-450035-000	Idler Pulley
5.	12-450012-000	Bushing
6.	11-195016-001	Lockwasher (3/8)
7.	11-125204-001	Hex Jam Nut (3/8-16)
8.	11-530025-001	External Retaining Ring
9.	11-531512-000	Beveled Retaining Ring (1.761 O.D.)
10.	12-450034-000	Cross Conveyor Pulley
11.	N.A.	Lever Assembly
12.	12-450063-000	Shoulder Bolt
13.	12-450045-003	Spring Wheel
14.	12-450064-000	Roller
15.	11-345306-000	Roll Pin (3/16 x 5/8")
	12-252016-000	Pin Gate Latch Bolt Assembly
16.	12-450032-000	Latch Assembly
17.	12-450017-000	Pin Gate Assembly
18.	12-450061-000	Tension Spring
19.	12-450075-000	Snubber Assembly
20.	12-450006-002	X-Washer Pin
21.	11-230002-001	"X" Washer (5/32)
22.	11-450051-001	Ball Bearing
	12-450079-000	Tension Spring
23.	12-450080-000	Rubber Spacer
24.	11-190010-001	Flat Washer (1/4)
25.	12-150063-000	Spring Seat Assembly
26.	12-450023-003	Bumper
27.	12-450027-000	Spring Seat
28.	12-150062-000	Stud
29.	12-450028-000	Compression Spring
30.	11-421054-000	Bearing (.3135 I.D. X .438 O.D.)
31.	12-150057-003	Strap
	12-860808-000	Heavy Duty Pin Gate Strap
32.	12-150227-000	Linkage Assembly
33.	11-420048-000	Bearing (.1885 I.D. X .3145 O.D.)
34.	12-450043-008	Shaft
35.	11-195015-001	Lockwasher (5/16)
36.	11-001260-001	Hex Head Cap Screw (5/16-18 x 5/8")
37.	12-450008-000	Tension Spring
38.	11-230000-001	X-Washer (3/32)
39.	11-125102-000	Hex Nut (5/16-18)
40.	11-195017-001	Lockwasher (7/16)
41.	11-190012-001	Flat Washer - SAE (5/16)
42.	N.A.	Cross Conveyor Frame Assembly
43.	11-125106-001	Hex Nut (7/16-14)
44.	11-530019-000	External Retaining Ring
45.	11-125006-001	Hex Nut (12-24)
46.	11-421053-000	Roll Pin (3/16 x 1-3/4")
47.	11-650001-000	Bumper
48.	11-006184-001	Button Head Socket Cap Screw (1/4-20 x 1")
49.	12-450006-003	X-Washer Pin
50.	11-195012-001	Lockwasher (#12)

N.A. = No Longer Available

Cross Conveyor Drive



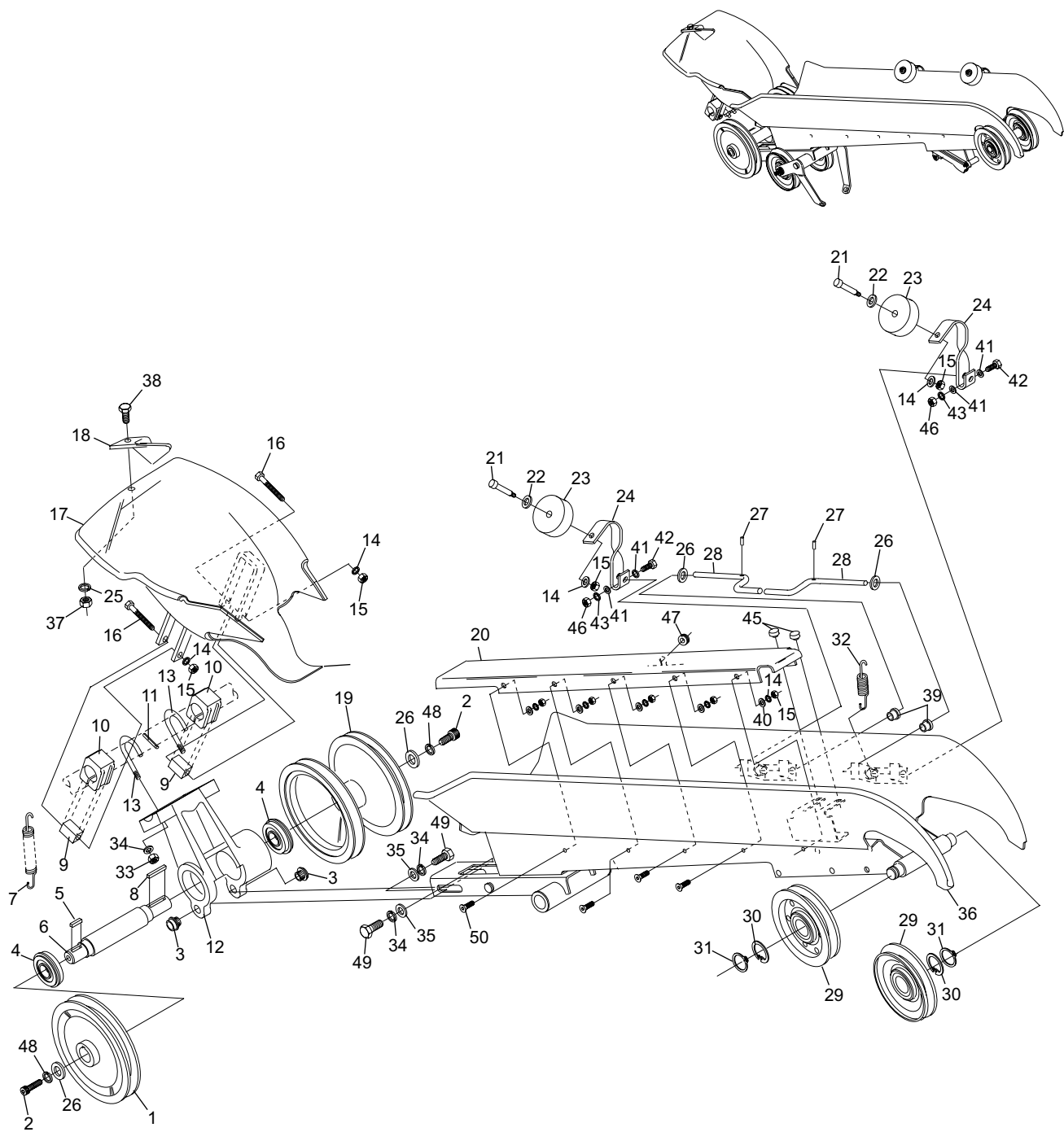
Cross Conveyor Drive

Index

No.	Part Number	Description
1.	12-450033-000	Pulley
2.	11-005343-001	Cap Screw
3.	11-155307-001	Spline Nut (5/16-24)
4.	11-430018-000	Ball Bearing
5.	12-450052-002	Key
6.	12-450003-000	Shaft
7.	12-450005-000	Tension Spring
8.	12-450052-003	Key
9.	12-450039-000	Spacer
10.	12-450038-000	Rubber Mount
11.	11-345315-000	Roll Pin (3/16 x 1-3/8")
12.	12-450002-000	Bracket
13.	12-450048-000	J-Bolt
14.	11-195010-001	Lockwasher (#10)
15.	11-125004-001	Hex Nut (#10-24)
16.	11-001072-001	Hex Head Cap Screw (10-24 x 2")
17.	12-450044-000	Turn Around Pan Assembly
18.	12-402434-000	Nylon Turn Pan Cam
19.	12-450004-000	Pulley
20.	12-450040-000	Pin Rest
21.	11-106504-001	Stripper Hex Head Socket Cap Screw (10-24 x 1")
22.	12-100170-016	Washer
23.	12-450056-000	Wheel
24.	12-450057-000	Bracket
25.	11-195017-001	Lockwasher (7/16)
26.	11-190514-001	Flat Washer
27.	11-360258-001	Spirol Pin (3/32 x 5/8")
28.	12-450053-000	Shaft
29.	12-450090-000	Cross Conveyor Idler Pulley
30.	11-531512-000	Beveled Retaining Ring (1.761 O.D.)
31.	11-530025-001	External Retaining Ring
32.	12-450079-000	Tension Spring
33.	11-125102-000	Hex Nut (5/16-18)
34.	11-195015-001	Lockwasher (5/16)
35.	11-190012-001	Flat Washer - SAE (5/16)
36.	N.A.	Cross Conveyor Frame Assembly
37.	11-125106-001	Hex Nut (7/16-14)
38.	11-001423-001	Hex Head Cap Screw (7/16-14 x 7/8")
39.	11-421009-000	Bearing (.3765 I.D. X .502 O.D.)
40.	11-190006-001	Flat Washer - SAE (#10)
41.	11-190010-001	Flat Washer (1/4")
42.	11-001186-001	Hex Head Bolt (1/4-20 x 1-1/4")
43.	11-195014-001	Lockwasher (1/4)
44.	N.A.	Bearing (2 required)
45.	12-450059-000	Bumper
46.	11-125100-001	Hex Nut (1/4-20)
47.	11-651004-000	Grommet
48.	11-195016-001	Lockwasher (3/8)
49.	11-001304-000	Hex Head Cap Screw (5/16-24 x 1")
50.	11-007090-001	Flat Head Socket Cap Screw (10-24 x 5/8")

N.A. = No Longer Available

Cross Conveyor



Cross Conveyor

Section K

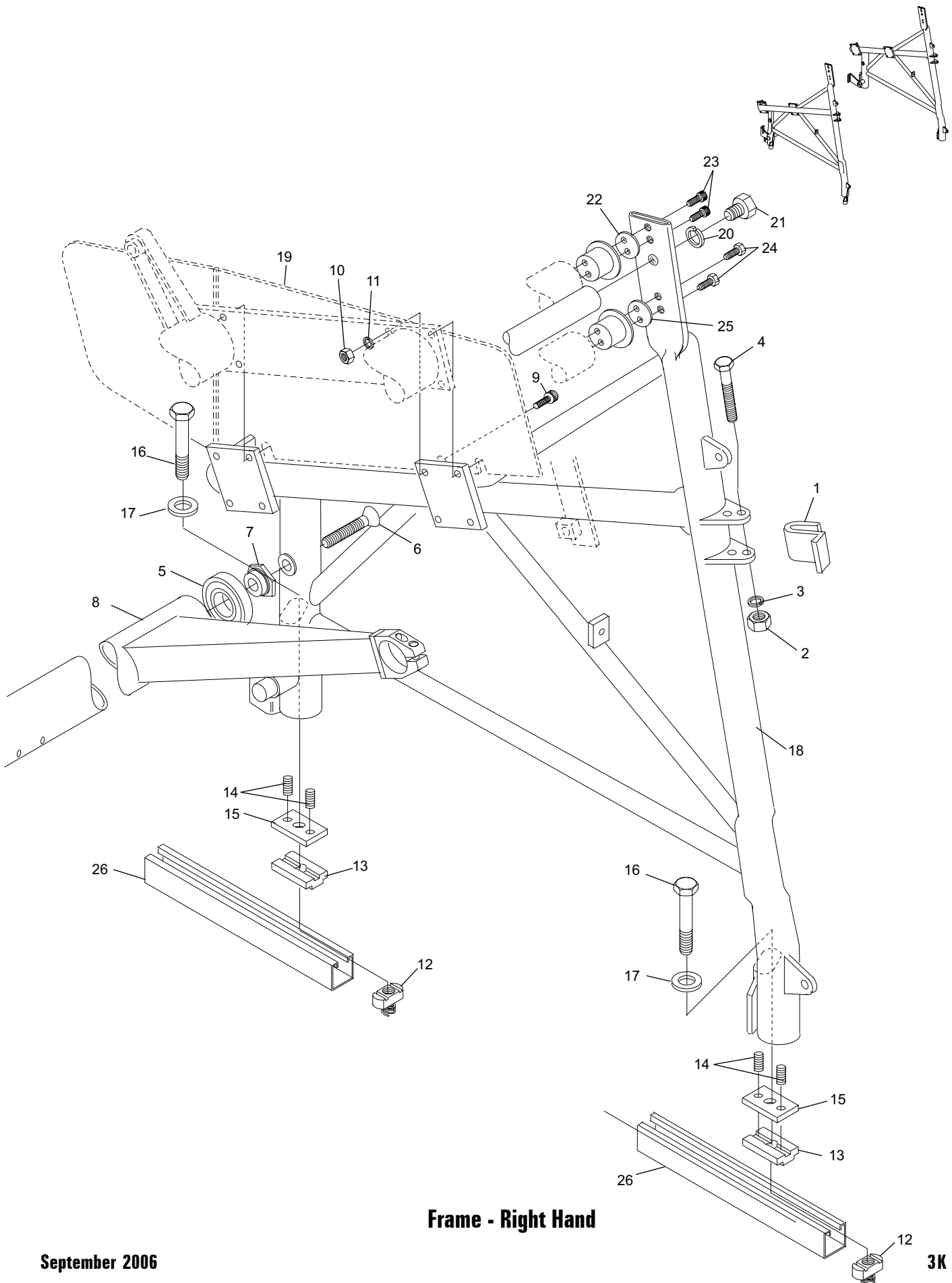
Frame

Index

No.	Part No.	Description
1.	12-350022-000	Stop
	12-352022-000	Rake Stop
2.	11-125108-001	Hex Nut (1/2-13)
3.	11-195018-001	Lockwasher (1/2)
4.	11-002252-000	Hex Head Cap Screw (1/2-13 x 3")
5.	11-490001-000	Ball Bearing
6.	11-007676-001	Flat Head Socket Cap Screw (5/8-11 x 3")
7.	12-350009-000	Bearing Stud
8.	12-862581-000	Deck Lift Shaft Assembly
9.	11-005348-001	Hex Head Socket Cap Screw (3/8-16 x 1-1/2")
10.	11-125011-001	Hex Nut (3/8-16)
11.	11-195016-001	Lockwasher (3/8)
12.	11-180006-001	Clamping Nut & Spring (1/2-13)
13.	12-350001-000	Strip
14.	11-103253-001	Headless Set Screw (3/8-16 x 1-1/4")
15.	12-350147-000	Plate
16.	11-001518-001	Hex Head Cap Screw (1/2-13 x 3-1/2")
17.	11-190018-001	Flat Washer (1/2)
18.	N.A.	R.H. Frame Assembly
19.	12-350116-000	R.H. Foot Guard
20.	11-195020-001	Lockwasher (5/8)
21.	11-002365-001	Hex Head Cap Screw (5/8-11 x 1-1/4")
22.	12-350118-004	Shim (.030)
	N.A.	Shim (.060)
23.	11-005264-001	Hex Head Socket Cap Screw (5/16-18 x 1")
24.	11-002124-001	Hex Head Socket Cap Screw (3/8-16 x 1")
25.	12-350118-002	Shim (.030)
	12-350118-003	Shim (.060)
26.	12-350131-000	Channel

N.A. = No Longer Available

Frame - Right Hand



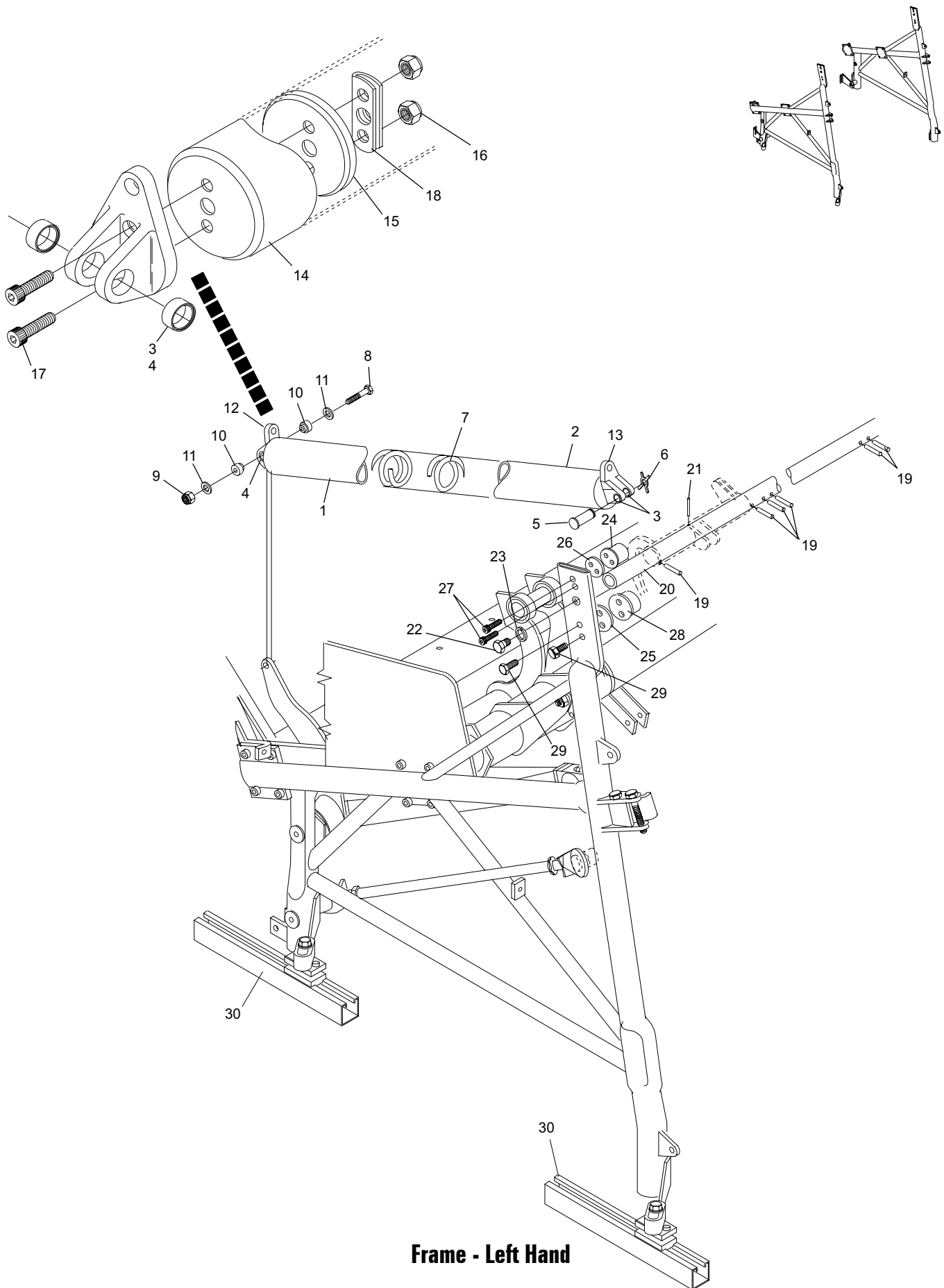
Frame - Right Hand

Index

No.	Part No.	Description
1.	N.A.	Spring Guide Tube Cap Assembly, outside
2.	N.A.	Spring Guide Tube Cap Assembly, inside
3.	11-420009-000	Sleve Oilite Bearing (.5015 I.D. X .628 O.D.)
4.	11-420019-000	Sleve Oilite Bearing (.627 I.D. X .753 O.D.)
5.	12-350023-002	Pin
6.	11-230005-001	"X" Washer (1/4)
7.	12-350126-000	Compression Spring
8.	11-001512-000	Hex Head Socket Cap Screw (1/2-13 x 2")
	11-001352-001	Hex Head Socket Cap Screw (3/8-16 x 2")
	11-001353-001	Hex Head Socket Cap Screw (3/8-16 x 2-1/4")
9.	11-170114-000	Flexlock Thin Hex Nut (1/2-13)
	11-170011-001	Hex Nut Nylock (3/8-16)
10.	12-350123-000	Bushing (9/16")
	12-350120-000	Bushing, for machines prior to 14501
	12-350165-000	Bushing (3/4")
11.	11-190014-001	Flat Washer (3/8)
12.	12-350163-002	Spring Guide Tube Cap
13.	12-350163-003	Spring Guide Tube Cap
14.	12-350170-000	Outside Spring Guide Tube
	12-350171-000	Inside Spring Guide Tube
15.	12-350164-003	Washer
	12-350164-002	Washer
16.	11-170010-001	Hex Nut Nylock (5/16-24)
17.	11-005304-001	Hex Head Socket Cap Screw (5/16-24 x 1")
18.	12-350167-000	Nut Retainer
19.	11-345418-001	Roll Pin (1/4 x 1-3/4")
20.	N.A.	Cross Brace
21.	11-345420-001	Roll Pin - (1/4 x 2")
22.	11-002365-001	Hex Head Cap Screw (5/8-11 x 1-1/4")
23.	11-195020-001	Lockwasher (5/8)
24.	12-350010-000	Bearing Stud
25.	12-350118-002	Shim (.030)
	12-350118-003	Shim (.060)
26.	12-350118-004	Shim (.030)
	12-350118-005	Shim (.060)
27.	11-005264-001	Hex Head Socket Cap Screw (5/16-18 x 1")
28.	12-350011-000	Bearing Stud
29.	11-002124-001	Hex Head Socket Cap Screw (3/8-16 x 1")
30.	12-350131-000	Channel

N.A. = No Longer Available

Frame - Left Hand



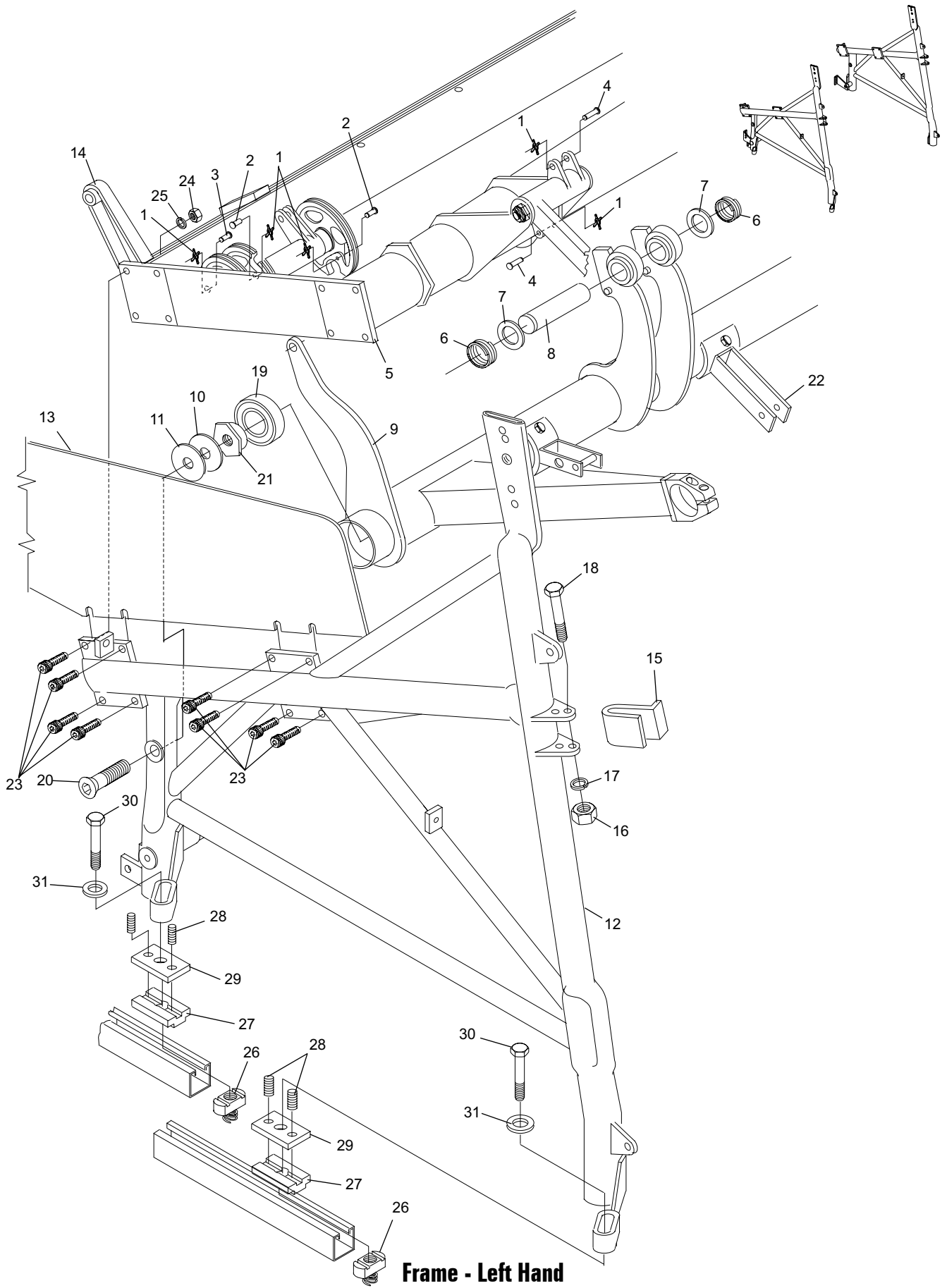
Frame - Left Hand

Index

No.	Part No.	Description
1.	11-230001-001	X-Washer (1/8)
2.	12-100166-009	X-Washer Pin
3.	12-100166-011	X-Washer Pin
4.	12-100166-015	X-Washer Pin
5.	N.A.	Brace Assembly
6.	11-533512-000	External Spirol Retaining Ring
7.	12-100170-017	Washer
8.	12-350035-000	Shaft (4-9/16")
	12-350166-000	Shaft (4-15/16")
9.	12-862581-000	Deck Lift Shaft Assembly
10.	12-350111-002	Shim (.010)
11.	12-350111-003	Shim (.020)
12.	N.A.	L.H. Frame Assembly
13.	12-350117-000	L.H. Foot Guard
14.	N.A.	Bracket Assembly and Tubing
15.	12-350022-000	Stop
	12-352022-000	Rake Stop
16.	11-125108-001	Hex Nut (1/2-13)
17.	11-195018-001	Lockwasher (1/2)
18.	11-002252-000	Hex Head Cap Screw (1/2-13 x 3")
19.	11-490001-000	Ball Bearing
20.	11-007676-001	Flat Head Socket Cap Screw (5/8-11 x 3")
21.	12-350009-000	Bearing Stud
22.	12-350178-000	Bracket
23.	11-005348-001	Hex Head Socket Cap Screw (3/8-16 x 1-1/2")
24.	11-125011-001	Hex Nut (3/8-16)
25.	11-195016-001	Lockwasher (3/8)
26.	11-180006-001	Clamping Nut & Spring (1/2-13)
27.	12-350001-000	Strip
28.	11-103253-001	Headless Set Screw (3/8-16 x 1-1/4")
29.	12-350147-000	Plate
30.	11-001518-001	Hex Head Cap Screw (1/2-13 x 3-1/2")
31.	11-190018-001	Flat Washer (1/2)

N.A. = No Longer Available

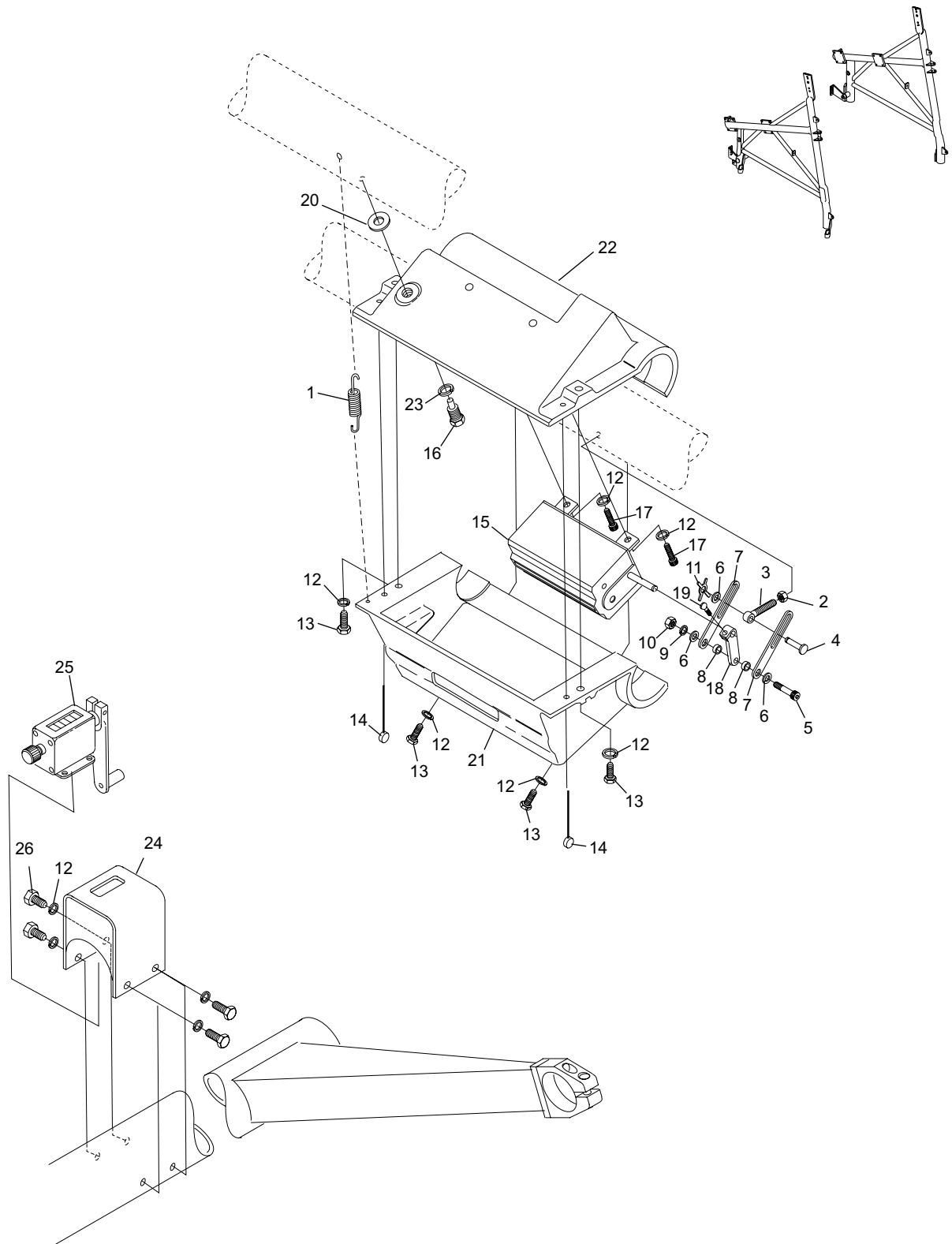
Frame - Left Hand



Index

No.	Part No.	Description
1.	12-100049-000	Spring
2.	11-125007-001	Hex Nut (1/4-20)
3.	12-350184-000	Pivot
4.	12-100166-004	X-Washer Pin
5.	11-005093-001	Hex Head Socket Cap Screw (10-24 x 7/8")
6.	11-190006-001	Flat Washer - SAE (#10)
7.	N.A.	Link
8.	N.A.	Spacer
9.	11-195010-001	Lockwasher (#10)
10.	11-125004-001	Hex Nut (#10-24)
11.	11-230000-001	X-Washer (3/32)
12.	11-195014-001	Lockwasher (1/4)
13.	N.A.	Cap Screw
14.	N.A.	Locking Seal
15.	N.A.	Counter Assembly
16.	12-350182-000	Bolt
17.	11-005182-001	Hex Head Socket Cap Screw (1/4-20 x 3/4")
18.	N.A.	Arm
19.	N.A.	Screw, Fillister Head
20.	N.A.	Washer
21.	N.A.	Cover
22.	N.A.	Counter Box
23.	11-195017-001	Lockwasher (7/16)
24.	N.A.	Counter & Box Assembly
25.	N.A.	Counter & Lever Assembly
26.	N.A.	Cap Screw

N.A. = No Longer Available



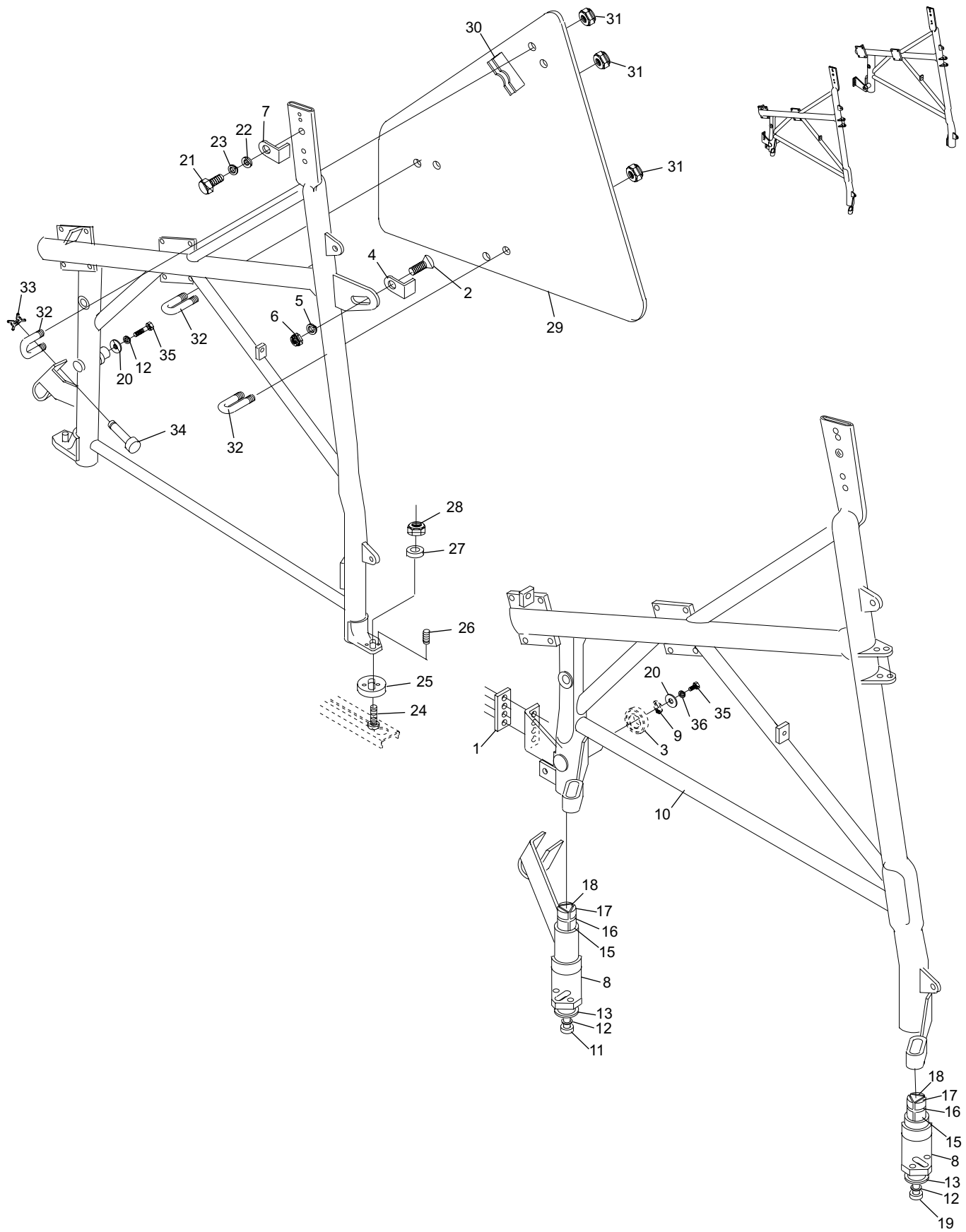
Frame Counter

Index

No.	Part No.	Description
1.	N.A.	Bracket
2.	11-007712-001	Flat Head Socket Cap Screw (5/8-18 x 2")
3.	11-431000-000	Ball Bearing
4.	12-352022-000	Rake Stop
5.	12-100170-003	Washer
6.	11-170020-001	Self-Locking Hex Nut (5/8-18)
7.	12-252362-000	Rake Lowering Stop
8.	N.A.	L.H. Front Foot Assembly
9.	12-350122-005	Retaining Ring
10.	N.A.	Welded L.H. Frame, complete assembly, for Model A
	N.A.	Welded L.H. Frame, complete assembly, for Model A-2, new or converted
11.	10-002003-000	Hex Head Cap Screw (3/8-16 x 7")
12.	11-195016-001	Lockwasher (3/8)
13.	12-352303-000	Cap
14.	12-352319-000	L.H. Rear Foot Assembly
15.	11-190518-001	Plain Washer (1)
16.	11-625537-000	O-Ring
17.	12-352308-000	Wedge
18.	N.A.	Wedge Nut
19.	10-002004-000	Hex Head Cap Screw (3/8-16 x 4")
20.	12-350128-000	Washer
21.	11-002365-001	Hex Head Cap Screw (5/8-11 x 1-1/4")
22.	11-190022-001	Flat Washer (5/8)
23.	11-195020-001	Lockwasher (5/8)
24.	11-071587-001	Heat Treated Special Bolt (1/2-13 x 2")
25.	12-752020-000	Washer
26.	11-103295-001	Set Screw (7/16-14 x 1-1/2")
27.	11-190520-001	Plain Washer
28.	11-125108-001	Hex Nut (1/2-13)
29.	12-752997-000	Guard
30.	12-750999-000	Bracket
31.	11-170009-001	Hex Nut Nylock (5/16-18)
32.	12-750998-000	U-Bolt
33.	11-230001-001	X-Washer (1/8)
34.	12-100166-032	X-Washer Pin
35.	11-001344-001	Hex Head Cap Screw (3/8-16 x 1")

N.A.= No Longer Available

Frame - Left Hand



Frame - Left Hand

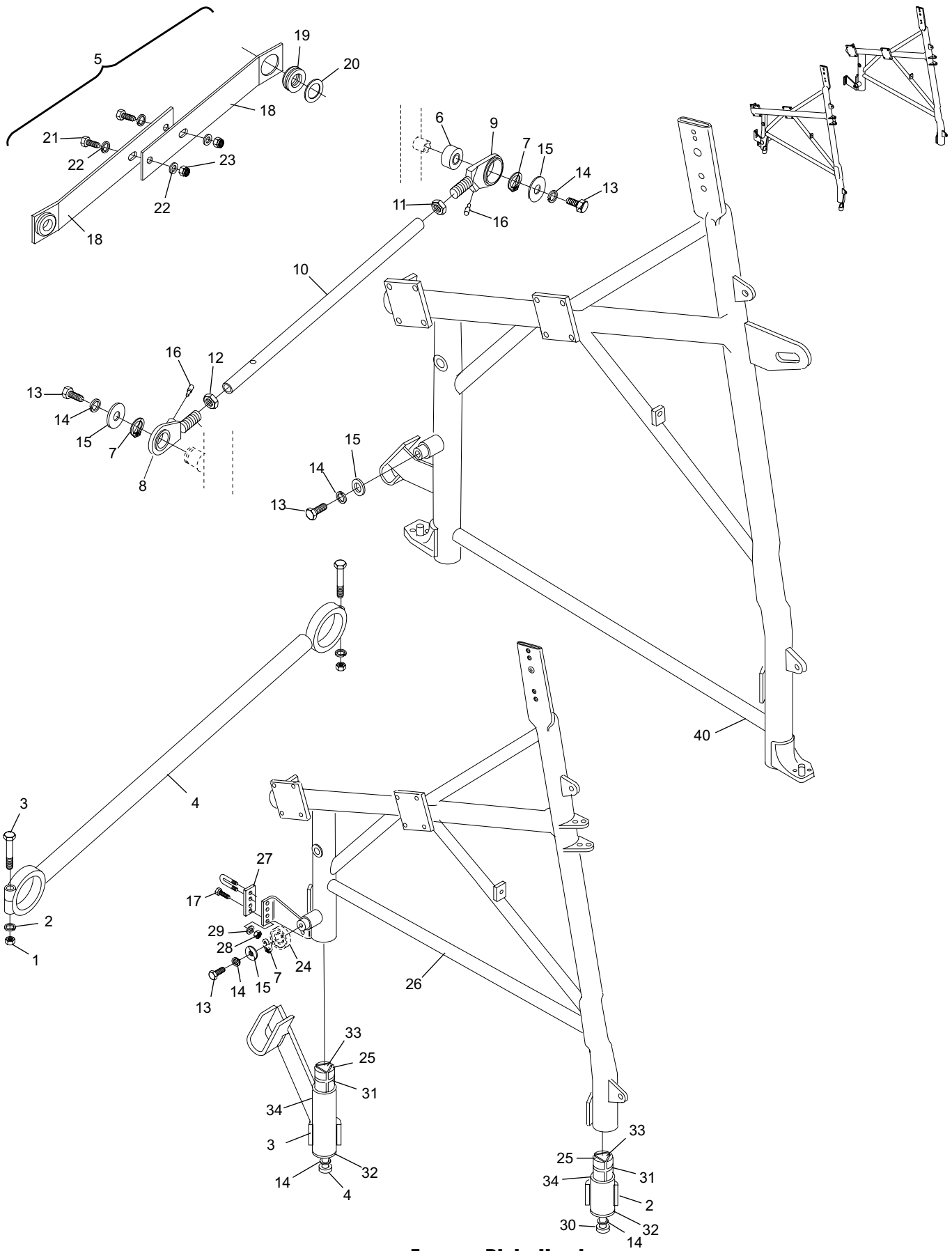
Index

No.	Part No.	Description
1.	11-125100-001	Hex Nut
2.	11-195014-000	Lockwasher
3.	11-001192-000	Hex Head Bolt
4.	N.A.	Deck Lift Rod Complete, order 12-350217-000 as replacement
5.	12-350217-000	Stabilizer Assembly, See Note
6.	N.A.	Spacer
7.	12-350122-005	Retaining Ring
8.	12-350122-004	L.H. Rod End
9.	12-350122-003	R.H. Rod End
10.	12-350122-002	Rod
11.	11-125211-000	Hex Jam Nut (9/16-18)
12.	11-125261-000	Hex Jam Nut (9/16-18)
13.	11-001344-001	Hex Head Cap Screw (3/8-16 x 1")
14.	11-195016-001	Lockwasher (3/8)
15.	12-350128-000	Washer
16.	N.A.	Grease Fitting
17.	11-001264-001	Hex Head Cap Screw (5/16-18 x 1")
18.	N.A.	Deck Lift Plate
19.	10-427001-000	Bearing 63/64 X 31/64
20.	10-427002-000	Snap Ring 47MM
21.	11-001506-000	Hex Head Cap Screw (1/2-13 x 1-1/4")
22.	11-190018-001	Flat washer (1/2)
23.	11-170015-001	Hex Nut Nylock (1/2-13)
24.	11-431000-000	Ball Bearing
25.	12-352308-000	Wedge, 3 required
26.	N.A.	R.H. Welded Frame, complete assembly, for Model A
27.	N.A.	Bracket
28.	11-125102-000	Hex Nut (5/16-18)
29.	11-195015-001	Lockwasher (5/16)
30.	10-002004-000	Hex Head Cap Screw (3/8-16 x 4")
31.	11-625537-000	O-Ring
32.	12-352303-000	Cap
33.	N.A.	Wedge Nut
34.	11-190518-001	Plain Washer (1)

N.A. = No Longer Available

*NOTE: When ordering complete Deck Lift Stabilizer *12-350217-000) for machines prior to S/N 12006.*

Frame - Right Hand



Frame - Right Hand

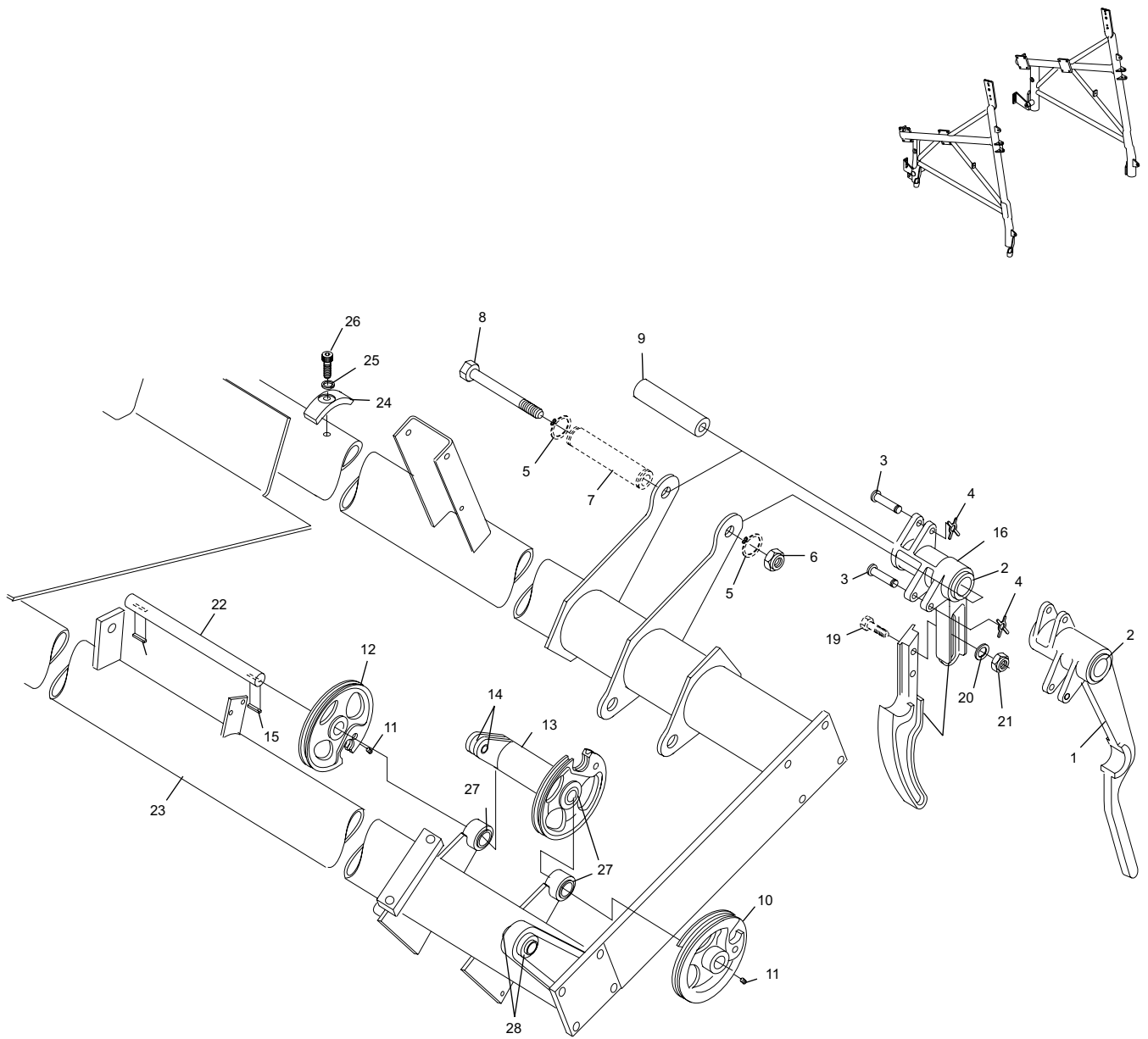
Index

No.	Part No.	Description
1.	N.A.	Deck Hook Assembly - See Note 1
2.	11-421107-000	Flanged Bronze Bearing
3.	12-100166-015	X-Washer Pin
4.	11-230001-001	X-Washer (1/8)
5.	11-530028-000	External Retaining Ring
6.	11-170015-001	Hex Nut Nylock (1/2-13)
7.	12-100168-005	X-Washer Pin
8.	11-002260-001	Hex Head Socket Cap Screw (1/2-13 x 5-1/2")
9.	12-350129-000	Spacer
10.	12-350029-000	Moving Deck Pulley
11.	11-105582-001	Headless Set Screw (10-32 x 3/8)
12.	12-350030-000	Moving Deck Pulley
13.	12-350033-000	Scissor Pulley Assembly
14.	11-420038-000	Bearing (.3135 I.D. X .4395 O.D.)
15.	12-100187-009	Square Key
16.	12-350804-000	Deck Hook Hub
17.	12-350803-000	Deck Hook
18.	12-350802-000	Deck Hook Assembly
19.	11-001344-001	Hex Head Cap Screw (3/8-16 x 1")
20.	11-190014-001	Flat Washer (3/8)
21.	11-170110-001	Hex Nut Flexlock (3/8-16)
22.	12-350032-000	Pulley Shaft
23.	N.A.	Brace, complete assembly
24.	N.A.	Bracket
25.	11-195014-001	Lockwasher (1/4)
26.	11-005180-001	Hex Head Socket Cap Screw (1/4-20 x 5/8")
27.	11-483002-000	Needle Roller Bearing
28.	12-250248-000	Sleeve Oilite Bearing

N.A. = No Longer Available

NOTE: The single piece hooks are no longer available. Order 12-350802-000 (2 piece-adjustable). When replacing this type deck hook assembly on machines prior to S/N 1601, it is also necessary to replace Deck Post (L.H.) 12-200135-000.

Frame

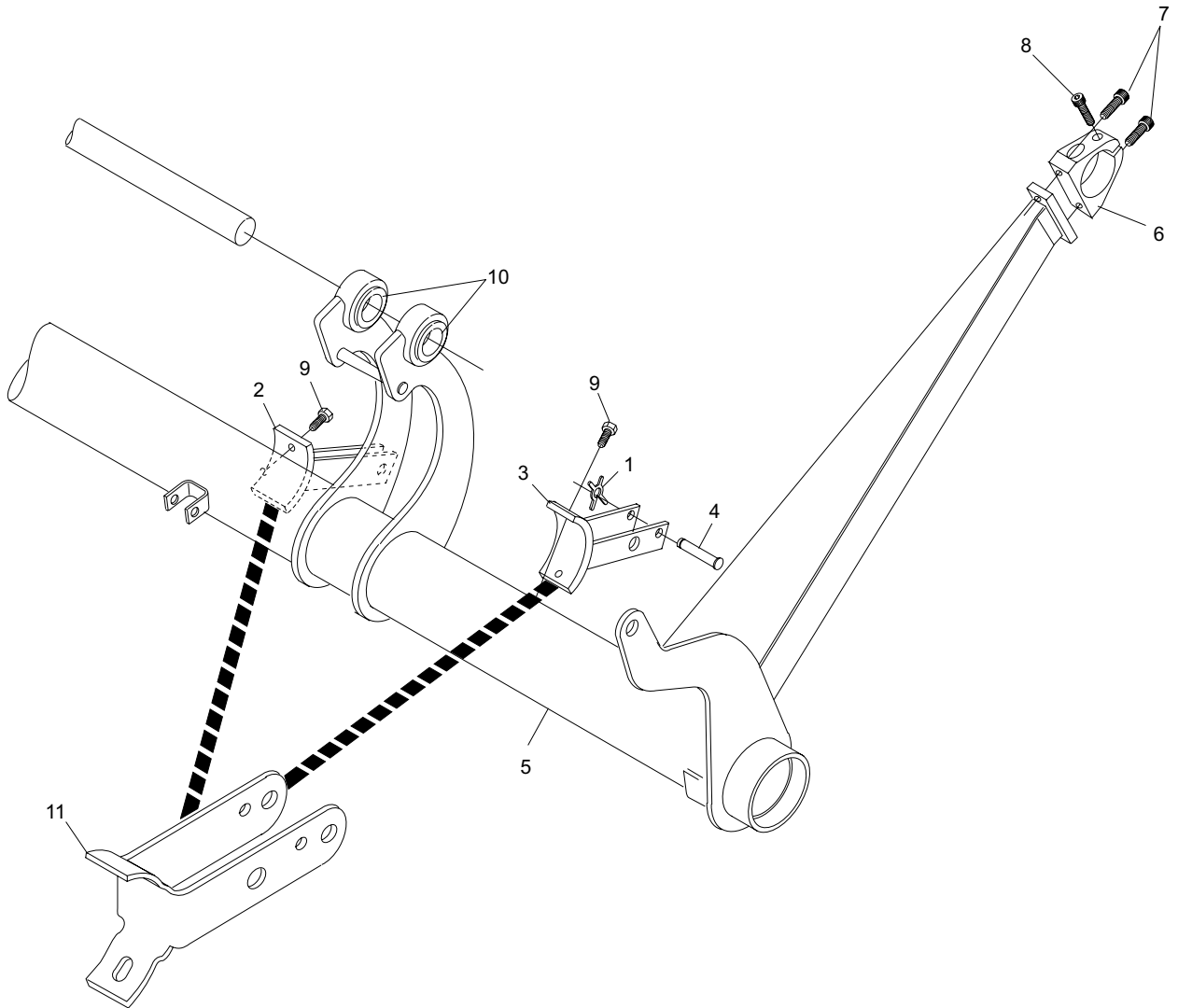
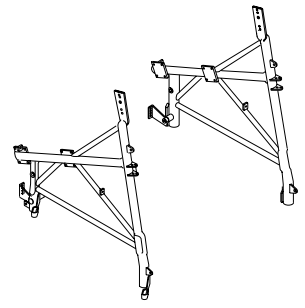


Frame

Index

No.	Part No.	Description
1.	11-230001-001	X-Washer (1/8)
2.	N.A.	Bracket, restricted drop link (use index #11 - 12-35178-000 Bracket)
3.	N.A.	Bracket, pivot block (use index #11 - 12-350178-000 Bracket)
4.	12-100166-016	X-Washer Pin
5.	12-862581-000	Deck Lift Shaft Assembly
6.	12-350109-000	Deck Lift Arm End
7.	11-005264-001	Hex Head Socket Cap Screw (5/16-18 x 1")
8.	11-005184-001	Socket Head Cap Screw (1/4-20 x 1")
9.	11-015285-001	Hex Head Socket Cap Screw & External Tooth Lockwasher
10.	11-461000-000	Needle Roller Bearing
11.	12-350178-000	Bracket

N.A. = No Longer Available



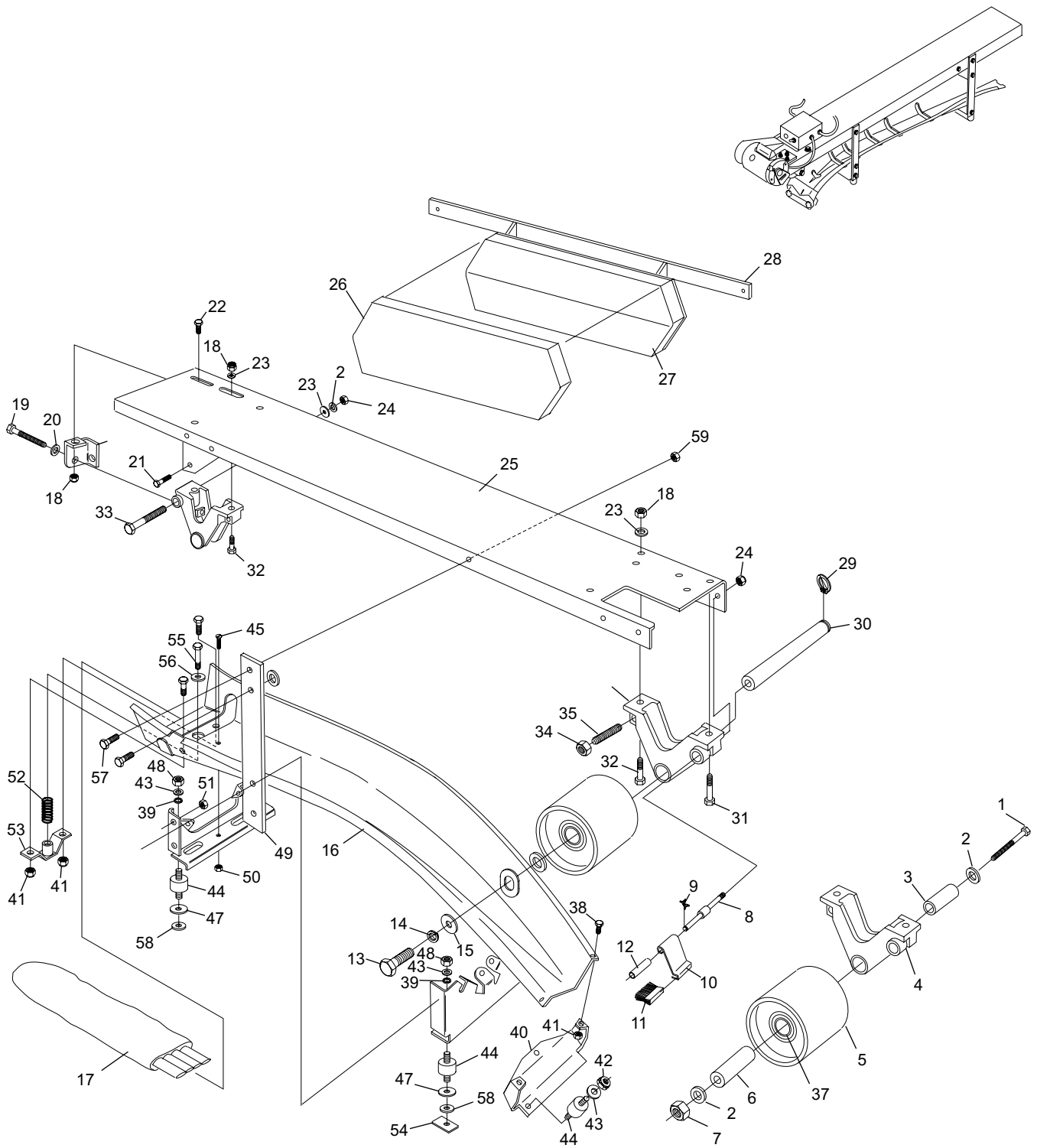
Frame

Section L

Ball Return

Index No.	Part No.	Description	Index No.	Part No.	Description
1.	11-001690-000	Hex Head Socket Cap Screw	34.	11-125204-001	Hex Jam Nut (3/8-16)
2.	11-190516-001	Washer	35.	11-102259-001	Headless Socket Set Screw (3/8-16 x 2")
3.	10-385515-000	Spacer	36.	11-140105-000	Square Nut (1/2-13)
4.	12-502303-000	Pulley Support Bracket	37.	11-430013-000	Ball Bearing
5.	12-502349-600	High Crown Pulley	38.	11-002001-000	Hex Head Socket Cap Screw (1/4-20 x 5/8")
6.	10-386071-000	Spacer- (1" X 3-5/16)	39.	11-191012-000	Flat Washer (5/16)
7.	11-170019-001	Self-Locking Nut (5/8-11)	40.	12-502313-000	Front Support Bracket
8.	12-502340-000	Brush Clip Shaft	41.	11-170007-001	Hex Nut Nylock (1/4-20)
9.	11-230002-001	"X" Washer (5/32)	42.	11-125009-001	Hex Nut (5/16-18)
10.	12-50318-000	Brush Clip	43.	11-195015-000	Lockwasher (5/16)
11.	12-502319-000	Brush	44.	10-675001-000	Rubber Mount
12.	12-502346-000	Bushing		90-675000-000	Black Rubber Pit Mount
13.	11-002092-001	Hex Head Socket Cap Screw (5/16-24 x 3/4")	45.	11-007182-000	Flat Head Socket Cap Screw (1/4-20 x 3/4")
14.	11-196014-001	High Collar Lockwasher (5/16)	46.	12-502305-000	Track Support
15.	10-191554-000	Flat Washer (11-32)	47.	11-190515-001	Flat Washer
16.	12-502320-000	Ball Track (Pan)	48.	11-125202-000	Hex Jam Nut (5/16-18)
17.	12-252377-000	Ball Wipe - Complete	49.	N.A.	Front Support Arm
18.	11-170011-001	Hex Nut Nylock (3/8-16)	50.	12-502304-000	Track Support
19.	10-002101-001	Hex Head Socket Cap Screw	51.	11-170011-001	Hex Nut Nylock (3/8-16)
20.	11-191018-001	Flat Washer (1/2)	52.	12-502331-000	Spring
21.	12-502458-000	Adjusting Bracket	53.	12-502343-000	Spring Retainer
22.	11-001344-001	Hex Head Cap Screw (3/8-16 x 1")	54.	12-502341-000	Channel Nut
23.	11-190522-001	Plain Washer	55.	12-502345-000	Bumper Screw
24.	11-132005-001	Heavy Hex Nut (3/8-18)	56.	11-190010-001	Flat Washer (1/4)
25.	12-502301-000	Accelerator Frame	57.	11-001348-001	Hex Head Cap Screw (3/8-16 x 1-1/2")
26.	12-862042-000	Duster Cloth (Pkg. of 3)	58.	11-190527-000	Plain Washer
27.	12-502424-000	Duster Pad	<i>N.A. = No Longer Available</i>		
28.	N.A.	L.H. Frame and Pad Assembly			
	N.A.	R.H. Frame and Pad Assembly			
29.	11-530030-001	External Retaining Ring			
30.	12-502353-000	Shaft			
31.	11-002129-001	Hex Head Cap Screw (3/8-16 x 2-1/4")			
32.	11-002128-001	Hex Head Socket Cap Screw (3/8-16 x 2")			
33.	11-002132-001	Hex Head Socket Cap Screw (3/8-16 x 3")			

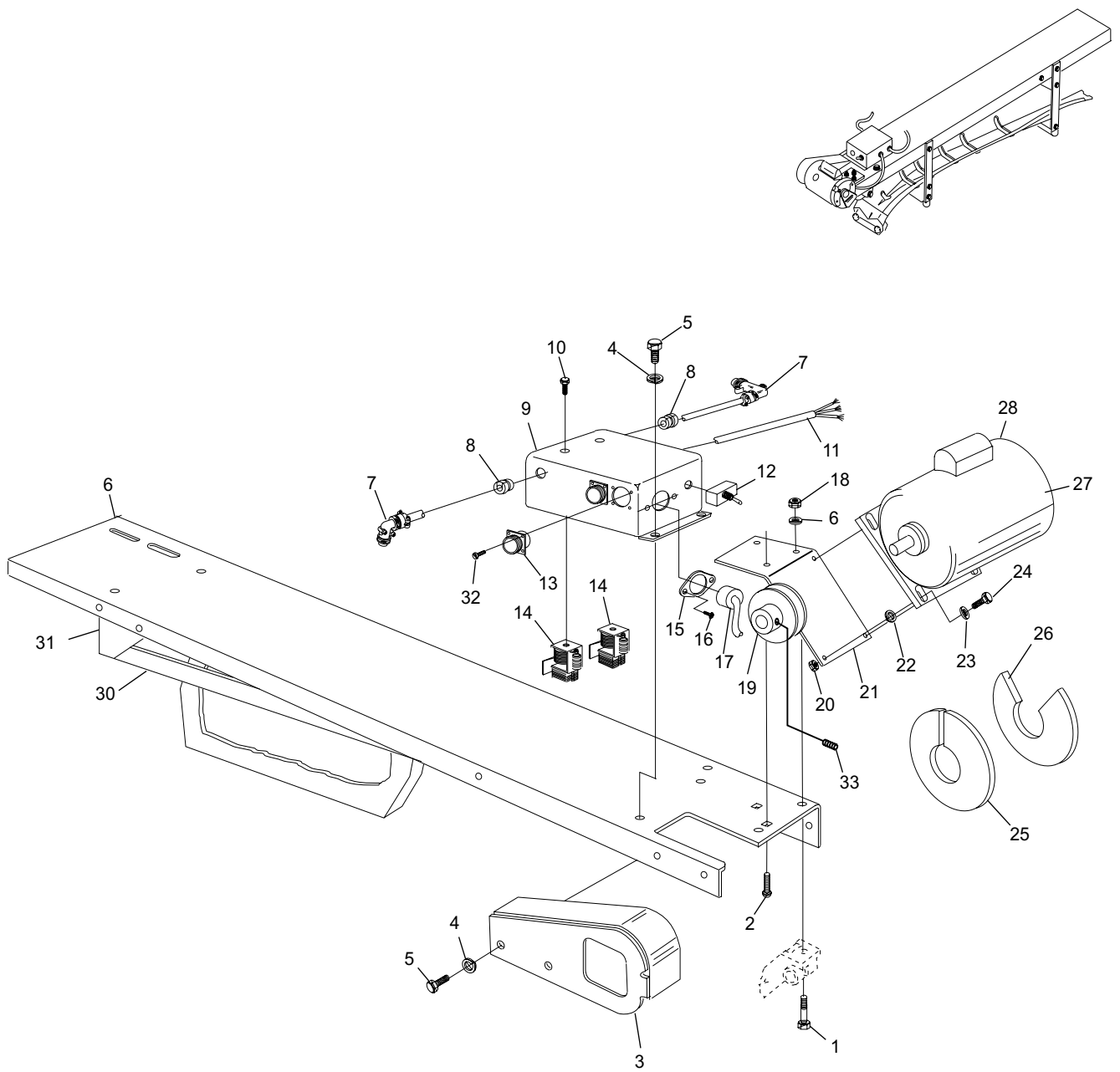
Ball Accelerator



Ball Accelerator

Index	Part Number	Description
1.	11-002129-001	Hex Head Cap Screw (3/8-16 x 2-1/4")
2.	11-078034-001	Round Head Socket Cap Screw (3/8-16 x 1")
3.	12-502338-000	Belt Shield
4.	11-195014-001	Lockwasher (1/4)
5.	11-081007-001	Hex Washer Self Tapping Screw (1/4 x 3/8")
6.	12-502301-000	Accelerator Frame
7.	12-502337-000	Cable Assembly
8.	11-611011-000	Large Strain Relief Bushing
9.	12-502336-010	Control Box
	12-502335-000	Control Box Assembly
10.	11-017564-001	Round Head Slotted Cap Screw
11.	10-750619-001	3-Conductor Service Cord
12.	11-615502-000	Toggle Switch
13.	12-750033-000	Box Mounting Receptacle
14.	12-862830-000	Relay
15.	11-678601-000	Flush Base Connector
16.	11-107024-001	Screw
17.	11-679201-000	Connector Body
18.	11-170011-001	Hex Nut Nylock (3/8-16)
19.	12-502XXX-000	Motor Pulley (see chart on previous page)
20.	11-170009-001	Hex Nut Nylock (5/16-18)
21.	12-502308-000	Motor Plate
22.	11-190523-000	Plain Washer
23.	11-191012-001	Flat Washer (5/16)
24.	11-001263-001	Hex Head Cap Screw (5/16-18 X 7/8")
25.	12-502424-000	Duster Pad
26.	N.A.	Filter
27.	12-802059-003	Motor (1/4 hp 1425-1725 RPM)
	12-802059-004	Accelerator Motor(1/2 hp 2850-3450 RPM)
28.	10-705043-002	Cooling Fan
	10-705043-003	Fan Cover

N.A. = No Longer Available



Ball Accelerator

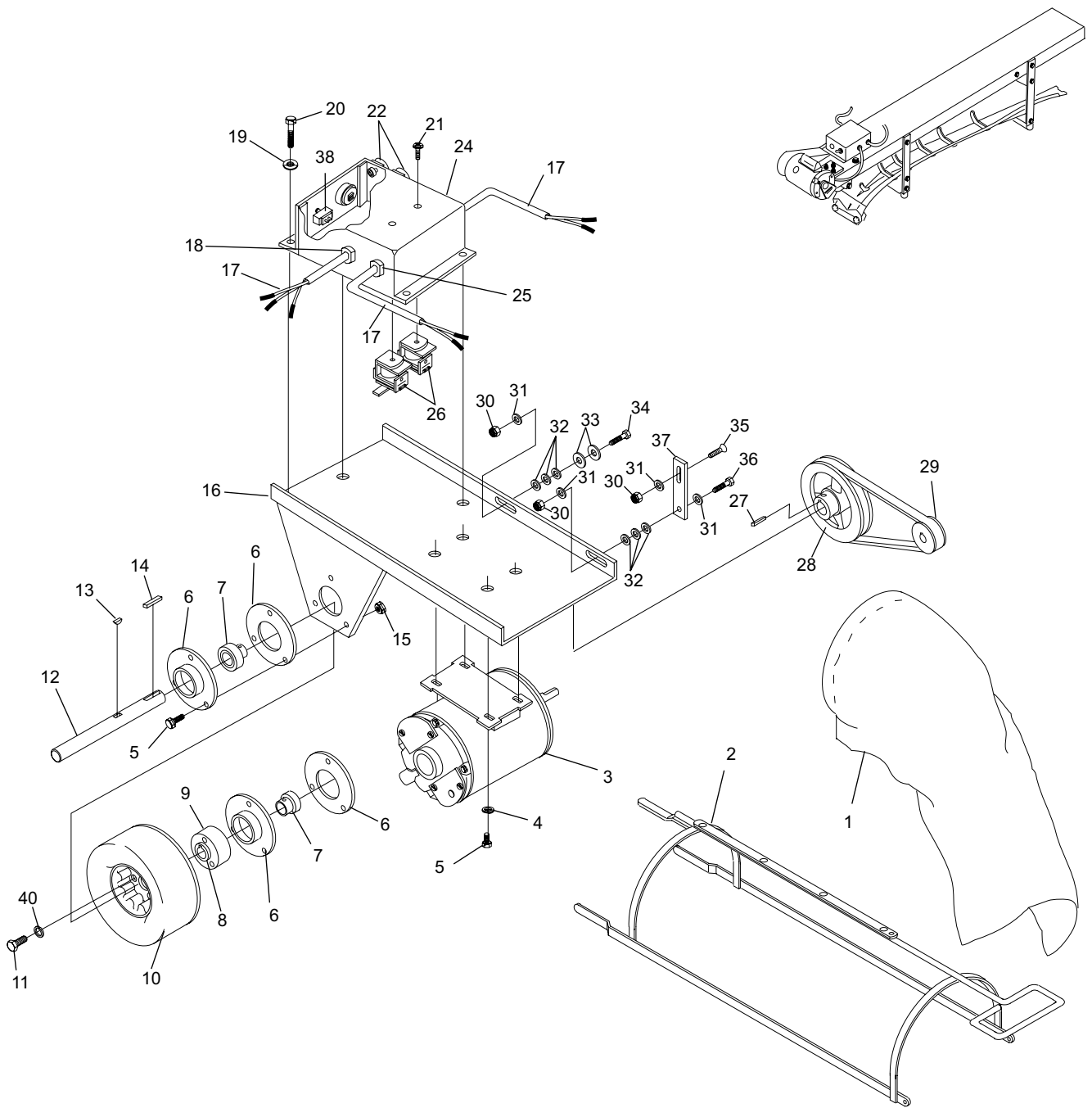
Index

No.	Part No.	Description
1.	61-860028-000	E-Z Ball Duster Apron
2	12-502442-000	Ball Duster Frame
	29-088557-000	Wiper Frame Assembly, See Note
	29-088559-000	Assembly
	29-203256-000	Frame Holder
	N.A.	Frame Holder
3.	12-802059-003	Motor (1/4 hp 1425-1725 RPM)
4.	11-191012-001	Flat Washer (5/16)
5.	11-001262-001	Hex Head Cap Screw (5/16-18 x 3/4")
6.	11-413051-000	Adapter Bearing Flange
7.	11-413001-000	Ball Bearing
8.	12-502613-000	Hub
9.	11-101208-001	Set Screw (5/16-18 x 3/4")
10.	53-530060-000	Rubber Hub and Tire Assembly
	90-520060-000	Urethane Ball Wheel Assembly
11.	11-195015-001	Lockwasher (5/16)
12.	12-502611-000	Drive Shaft
13.	11-050006-000	Woodruff Key
14.	12-100187-009	Square Key
15.	11-170009-001	Hex Nut Nylock (5/16-18)
16.	12-502602-000	Booster Frame
17.	10-750619-000	Cable Assembly - 3 COND., 18 AWG, 2' 2"
18.	11-611011-000	Large Strain Relief Bushing
19.	11-615502-000	Toggle Switch
20.	11-195014-001	Lockwasher (1/4)
21.	11-081007-001	Hex Washer Self Tapping Screw (1/4 x 3/8")
22.	12-750033-000	Box Mounting Receptacle
23.	11-017564-001	Round Head Slotted Cap Screw
24	12-502335-000	Control Box Assembly
	12-502336-010	Control Box
25.	11-611009-000	Small Strain Relief Bushing
26.	12-862830-000	Relay
27.	10-621055-000	Key - 3/16 SQ. X 1 1/8 LG.
28.	10-510701-000	Sheave (8")
	10-510704-000	Sheave (9")
29.	10-510702-000	Sheave (2.3")
	10-510703-000	Sheave (2.7")
30.	11-170011-001	Hex Nut Nylock (3/8-16)
31.	11-191014-001	Flat Washer (3/8)
32.	11-190014-001	Flat Washer (3/8)
33.	11-190522-001	Plain Washer
34.	11-001348-001	Hex Head Cap Screw (3/8-16 x 1-1/2")
35	11-007348-000	Flat Head Socket Cap Screw (3/8-16 x 1-1/2")
36.	11-001345-000	Hex Head Cap Screw (3/8-16 x 1-1/8)
37.	12-352566-000	Bracket
38.	11-001263-001	Hex Head Cap Screw (5/16-18 x 7/8")

N.A. = No Longer Available

Note: Order Part 29-088557-000

Ball Booster



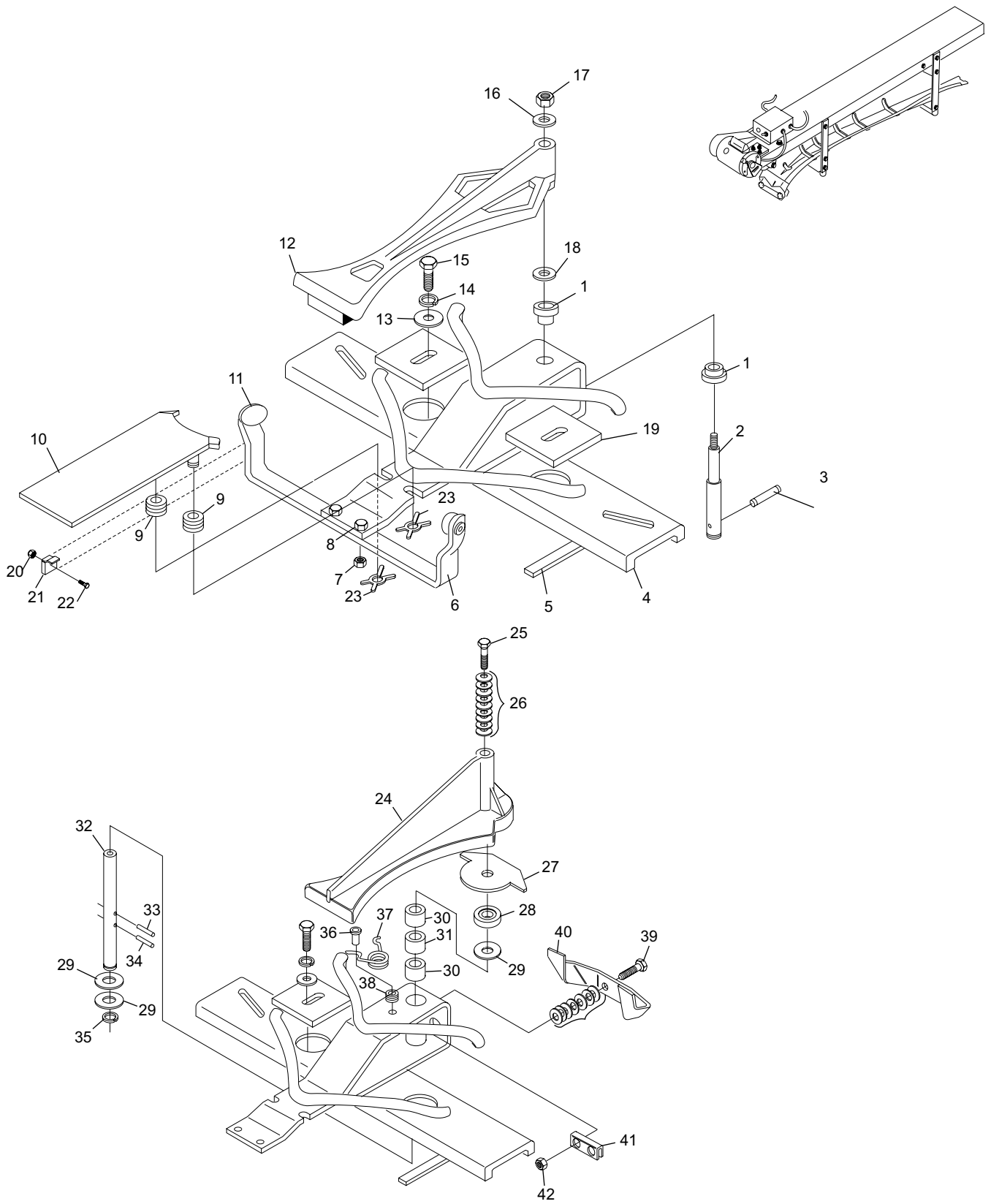
Ball Booster

Index

No.	Part Number	Description
1.	10-421901-000	Flanged Oilite Bearing
2.	12-502134-000	Y-Switch Shaft
3.	11-354002-001	Groove Pin
4.	12-502100-000	Switch Track Assembly
5.	12-502157-002	Shim
	12-502157-003	Shim
	12-502157-004	Shim
6.	12-502131-000	Y Switch Stop Bar
7.	11-170009-001	Hex Nut Nylock (5/16-18)
8.	11-001264-001	Hex Head Cap Screw (5/16-18 x 1")
9.	12-502155-000	Y-Switch Spacer
10.	12-502328-000	Plate Assembly
11.	12-502154-000	Y-Switch Bumper (Pull-Thru)
12.	90-502153-000	Nylon Y-Switch
	12-502159-000	Y-Switch Assembly
13.	11-190514-001	Flat Washer
14.	11-195016-001	Lockwasher (3/8)
15.	11-001348-001	Hex Head Cap Screw (3/8-16 x 1-1/2")
	11-001350-001	Hex Head Socket Cap Screw (3/8-16 x 1-3/4")
16.	11-190014-001	Flat Washer (3/8)
17.	11-170011-001	Hex Nut Nylock (3/8-16)
18.	11-190018-001	Flat washer (1/2)
19.	12-502156-000	Plate
20.	11-170007-001	Hex Nut Nylock (1/4-20)
21.	12-502166-000	Stop Bracket
22.	11-001183-000	Hex Head Socket Cap Screw (1/4-20 x 7/8")
23.	11-230003-001	"X" Washer (3/16)
24.	12-502192-000	"Y" Switch
25.	11-001950-001	Hex Head Socket Cap Screw (3/8-16 x 1-1/2")
26.	12-502194-000	Spring Washer
27.	12-502199-000	Clutch Plate Assembly
28.	12-502195-000	Thrust Bearing
29.	10-190019-000	Nylatron Washer
30.	11-483017-000	Needle Roller Bearing (11/16 I.D. X 7/8 O.D.)
31.	10-386239-000	Spacer
32.	12-502196-000	Pivot Shaft
33.	11-345264-001	Roll Pin (5/32 x 1-1/4")
34.	11-345263-001	Roll Pin (5/32 x 1-1/8")
35.	11-530024-000	External Retaining Ring (.640 I.D.)
36.	N.A.	Headed Spirol Pin
37.	12-502187-000	Torsion Spring
38.	12-150130-005	Spring Wheel
39.	11-001267-000	Hex Head Socket Cap Screw (5/16-18 x 1-3/8")
40.	12-502183-000	Rear Stop
41.	12-350167-000	Nut Retainer
42.	11-170009-001	Hex Nut Nylock (5/16-18)

N.A. = No Longer Available

Center Ball Return "Y" Switch

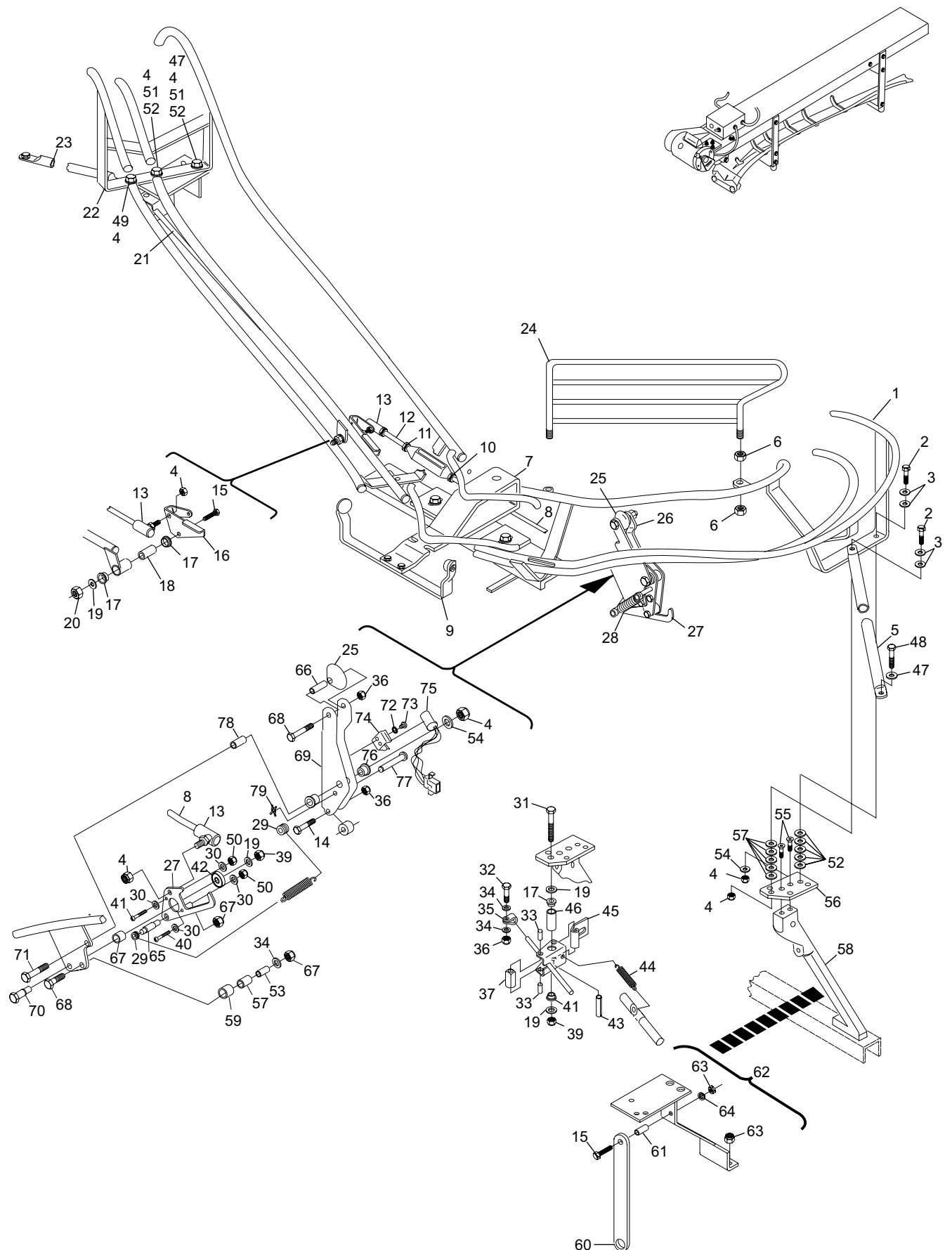


Center Ball Return "Y" Switch

Index No.	Part Number	Description	Index No.	Part Number	Description
1.	12-502105-000	Ball Track Assembly (Curved)	41.	11-107068-000	Machine Screw - R. Hd. (8-32 x 3/4")
2.	11-001355-001	Hex Head Cap Screw	42.	11-430037-000	Ball Bearing
3.	11-190522-001	Plain Washer	43.	11-345520-000	Roll Pin (3/8 x 2")
4.	11-170011-001	Hex Nut Nylock (3/8-16)	44.	12-502114-000	Tension Spring
5.	12-502140-000	R.H. Track Brace	45.	12-502152-000	Bracket
6.	11-125104-001	Hex Nut (3/8-16)	46.	10-386091-000	Spacer
7.	12-502100-000	Switch Track Assembly	47.	11-191014-001	Flat Washer (3/8)
8.	12-502132-000	Rod	48.	11-001342-001	Hex Head Cap Screw (3/8-16 x 3/4")
9.	12-502131-000	Y Switch Stop Bar	49.	11-001344-001	Hex Head Cap Screw (3/8-16 x 1")
10.	11-125253-001	Hex Jam Nut (5/16-24)	50.	11-170004-000	Locknut
11.	11-599001-000	Turnbuckle (5/16-24 RH/LH X 5-1/4)	51.	11-001355-000	Hex Head Cap Screw (3/8-16 x 2-3/4")
12.	12-502143-000	Rod	52.	11-190522-000	Washer (13/32)
13.	10-690001-000	Ball Joint Assembly	53.	10-386078-000	Spacer (1/4 x 7/8")
14.	11-001186-000	Hex Head Cap Screw (1/4-20 x 1-1/4")	54.	11-191014-000	Washer (3/8)
15.	11-001272-001	Hex Head Cap Screw (5/16-18 x 2")	55.	11-008189-000	Cap Screw - F. Hd. Soc.
16.	12-502133-000	Ball Trip	56.	12-402436-000	Ball Track Mounting Plate
17.	11-421110-000	Flanged Oilite Bearing	57.	12-252091-000	Bearing
18.	10-386077-000	Spacer (5/16 x 1-9/32)	58.	N.A.	Support Order (12-862180-000)
19.	11-190012-001	Flat Washer - SAE (5/16)	59.	12-252090-000	Bumper
20.	11-170009-001	Hex Nut Nylock (5/16-18)	60.	12-402425-000	Support Brace
21.	12-502142-000	Trip Rod	61.	11-387264-002	Rolled Spacer (5/16 x 1")
22.	12-502115-000	Ball Track Assembly	62.	12-862180-000	Support Arm Assembly
23.	12-502139-000	L.H. Track Brace	63.	11-125102-000	Hex Nut (5/16-18)
24.	12-502162-000	Fence Assembly	64.	11-195015-001	Lockwasher (5/16)
25.	34-082132-000	Rubber Roller Assembly	65.	12-502137-000	Spring Post
26.	12-503138-000	Ball Stop Bracket	66.	10-386080-000	Spacer
27.	12-502136-000	Hook	67.	10-386082-000	Spacer (13/32 x 5/16)
28.	12-502167-000	Tension Spring	68.	11-001190-001	Hex Head Cap Screw (1/4-20 x 1-3/4")
29.	10-376001-000	Spring Wheel	69.	12-502138-000	Ball Stop Bracket
30.	12-502145-000	Washer	70.	10-435501-000	Hex Shoulder Screw - 25/64 X 7/8
31.	11-001276-001	Hex Head Cap Screw (5/16-18 x 3")	71.	11-001350-000	Hex Head Cap Screw (3/8-16 x 1-3/4")
32.	11-001185-001	Hex Head Cap Screw (1/4-20 x 1-1/8")	72.	11-195006-000	Lockwasher (#6)
33.	11-345408-001	Roll Pin (1/4 x 3/4")	73.	11-013020-000	Pan Head Slotted Machine Screw (6-32 x 1/4")
34.	11-190010-000	Flat Washer (1/4)	74.	53-100248-000	Clip
35.	12-502153-000	Stop	75.	53-100247-000	Mercury Switch Assembly
36.	11-170007-000	Locknut (1/4-20)	76.	11-421111-000	Flanged Oilite Bearing
37.	12-502151-000	Block	77.	12-150158-017	X-Washer Pin
38.	12-502150-000	Pivot Bracket	78.	10-386076-000	Spacer (3/8 x 1-1/32")
39.	11-170009-000	Lock Nut	79.	11-230001-000	"X" Washer (1/8)
40.	10-390001-000	Ball Joint Assembly			

N.A.= No Longer Available

Center Ball Return



Center Ball Return

Section N

Belts

Index

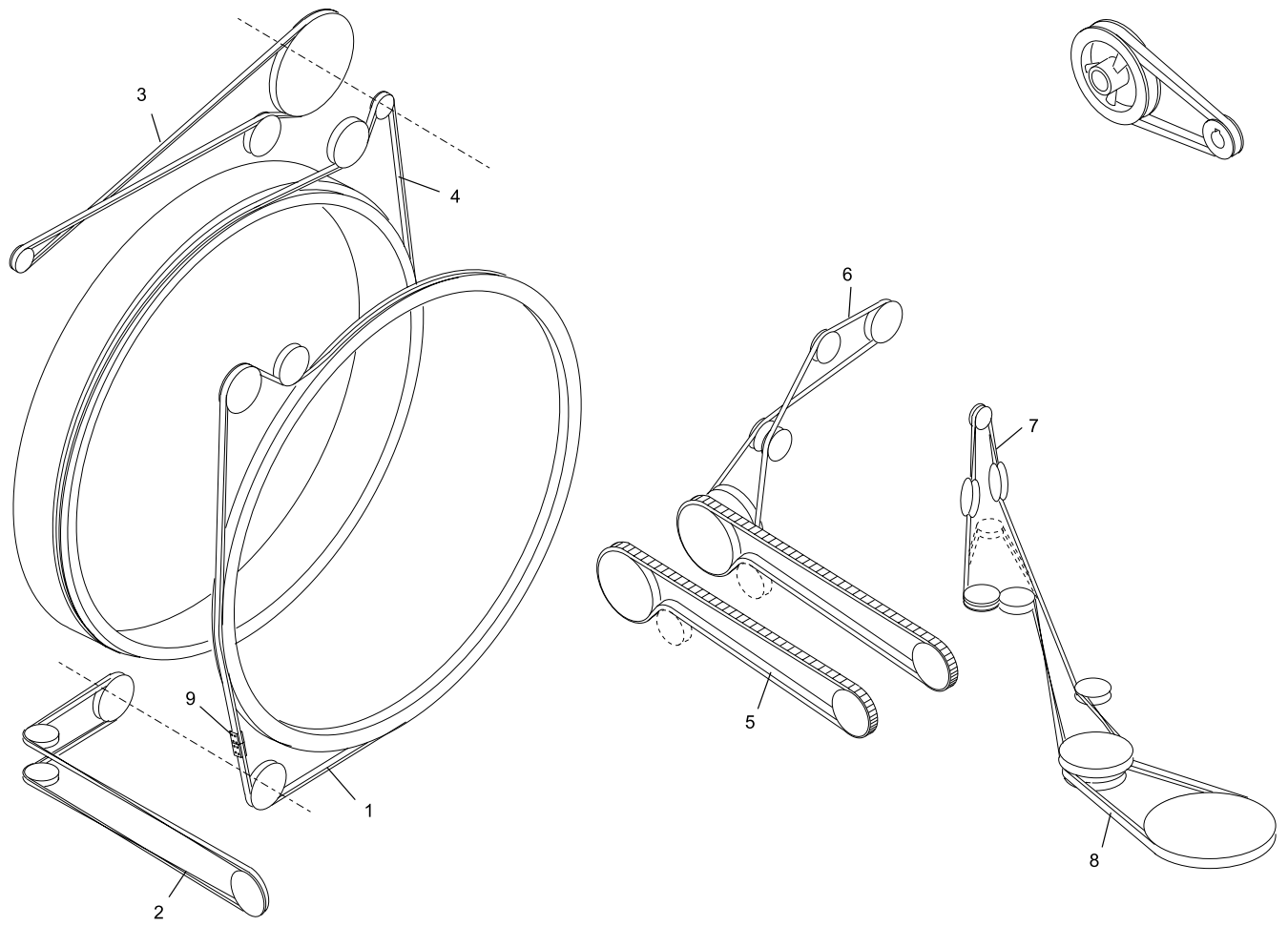
No.	Part No.	Description
1.	12-400227-000	Ball Wheel V-Belt, Endless (EL 208")
	12-400279-000	Ballwheel V-Belt, Spliced (EL 208.5") - See Note
2.	12-300082-003	Pit Conveyor V-Belt (EL 73")
3.	12-400034-004	Cross Drove V-Belt (EL 122")
4.	12-400034-005	Pin Wheel V-Belt (EL 198")
5.	12-450037-000	Cross Conveyor Belt
6.	10-635309-000	Cross Conveyor Belt, for machines equipped w/ V-belt idler pulley (EL 82")
	12-400034-007	Cross Conveyor Drive Belt, for machines equipped w/ round belt idler pullys
7.	12-400314-000	Turret Drive V-Belt, Long - for machines equipped with Bevel Gear Drive (EL 115")
	12-400223-000	Turret Drive V-Belt, Long (EL 137")
8.	12-150113-000	Short Turret Drive Belt - Cast cam and offset pulley (EL 48")
	12-150113-600	Short Turret Drive Belt, Stamped Indexing Cam (48-1/2")
9.	12-400279-003	V-Belt Fastener (Pkg. Of 10), See Note

NOTE : These tools are available to aid in assembling belt fasteners:

12-800502-000 Holder

12-800503-000 Rocker Pin Tool

12-400180-000 V-Belt Fastener (Box of 10)



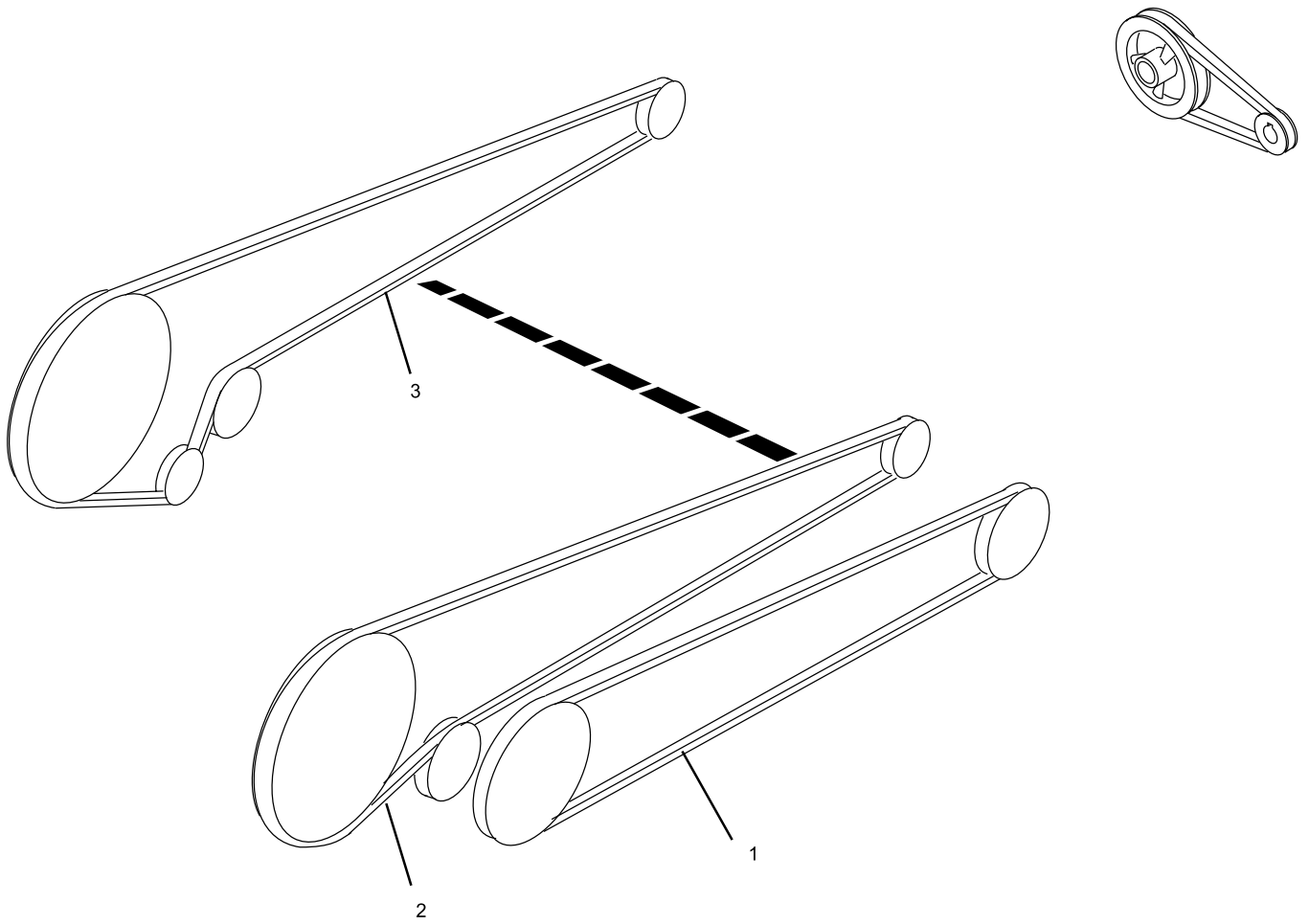
Pinsetter Belts

Index

No.	Part No.	Description
1.	12-400329-000	V-Belt (Motor to Gear Box) - 60 cycle A Machines, Jet Back equipped (79")
	10-635323-000	V-Belt (Motor to Gear Box) - 60 cycle A machines standard (77.5")
	12-400034-002	Motor to Gear Box Belt - for A machine 60 cycle (77.1")
	10-635321-000	V-Belt (Motor to Gear Box) - 27:1 Worm & Worm Gear A, Jet Back (75")
	10-635326-000	V-Belt (Motor to Gear Box) - 50 cycle A-2 Machines (69.5")
	10-635305-000	V-Belt (Motor to Gear Box) - 50 cycle A-2 machines export (EL 69")
	10-635304-000	V-Belt (Motor to Gear Box) - 60 cycle A-2 machines, new or converted (EL 67")
	10-635320-000	V-Belt (Motor to Gear Box) - 27:1 Worm & Worm Gear A-2 (EL 60")
2.	10-635328-000	V-Belt (Motor to Elevator Belt) (EL 108.6")
	12-400034-003	Motor to Elevator Belt - 60 cycle A machines, Jet Back equipped (EL 107.1")
	10-635327-000	V-Belt (Motor to Elevator) - 60 cycle A, Jet Back Machines (EL 105.6")
	10-635330-000	V-Belt (Motor to Elevator) - 60 cycle A-2 machines (EL 93.8")
	10-635306-000	V-Belt (Motor to Elevator) - 50 cycle A-2 machines export (EL 93.3")
	10-635303-000	V-Belt (Motor to Elevator) - 60 cycle A-2 machines, new or converted (EL 92.3)
	10-635329-000	V-Belt (Motor to Elevator) - 60 cycle A-2 machines (EL 90.8")
3.	10-635315-000	V-Belt (Motor to Elevator) (EL 98"), See Note

NOTE: To be used on A-2 machines with 12-502410-000 Pulley, without Scoth Yoke, and with Elevator Belt Tension Device.

**Motor to Gear Box/Elevator
Pinsetter Belts**



**Motor to Gear Box/Elevator
Pinsetter Belts**

Index

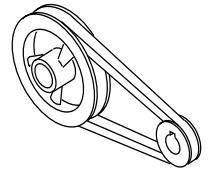
No.	Part No.	Description
1.	10-635128-000	Flat Belt, Ball Lift (EL 91")
	24-200947-000	Flat Drive Belt (EL 88")
	53-520148-002	Poly V-Belt (EL 73")
	53-520235-600	Poly V-Belt (high friction)
2.	10-635112-000	Flat Belt, use with 2-23/32" motor pulley (EL 32.5")
	10-635113-000	Flat Belt, use with 1-11/16" motor pulley (EL 31")
	10-635114-000	Flat Belt, use with 3-17/64" motor pulley
	10-635118-000	Flat Belt, use with 2-1/32" motor pulley (EL 31.5")
	10-635124-000	Flat Belt, use with 1-1/2" motor pulley (EL 30.5")
	10-635125-000	Flat Belt, use with 1-13/16" motor pulley
3.	10-635126-000	Accelerator Belt
	10-635126-600	Accelerator Belt - Special
4.	10-635307-000	V-Belt Ball Booster - See Note 1
	10-635308-000	V-Belt Ball Booster, for 8" pulley (EL 34") - See Note 2
	10-635314-000	V-Belt Ball Booster, for 9" pulley (EL 35") - See Note 3

NOTE 1: Used on 5-1/2" machines and Jet Back equipment with 8" (10-570701) sheave.

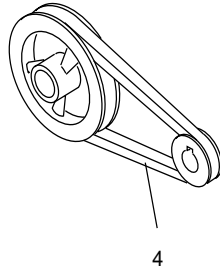
NOTE 2: Used with 10-510703 2.7" O.D. and 10-510701 8" O.D.

NOTE 3: Used on Jet Back equipped machines with 10-510702 and 10-510704 sheaves.

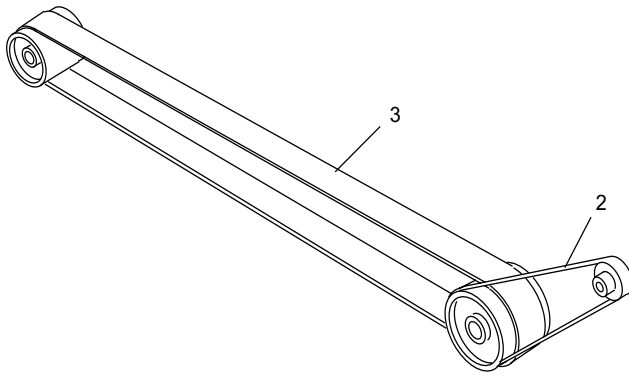
**Ball Return/
Ball Lift Belts**



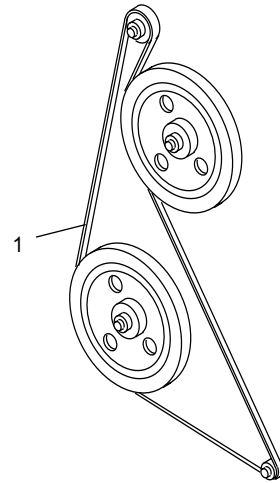
BALL BOOSTER



ACCELERATOR



POWER LIFT



**Ball Return/
Ball Lift Belts**

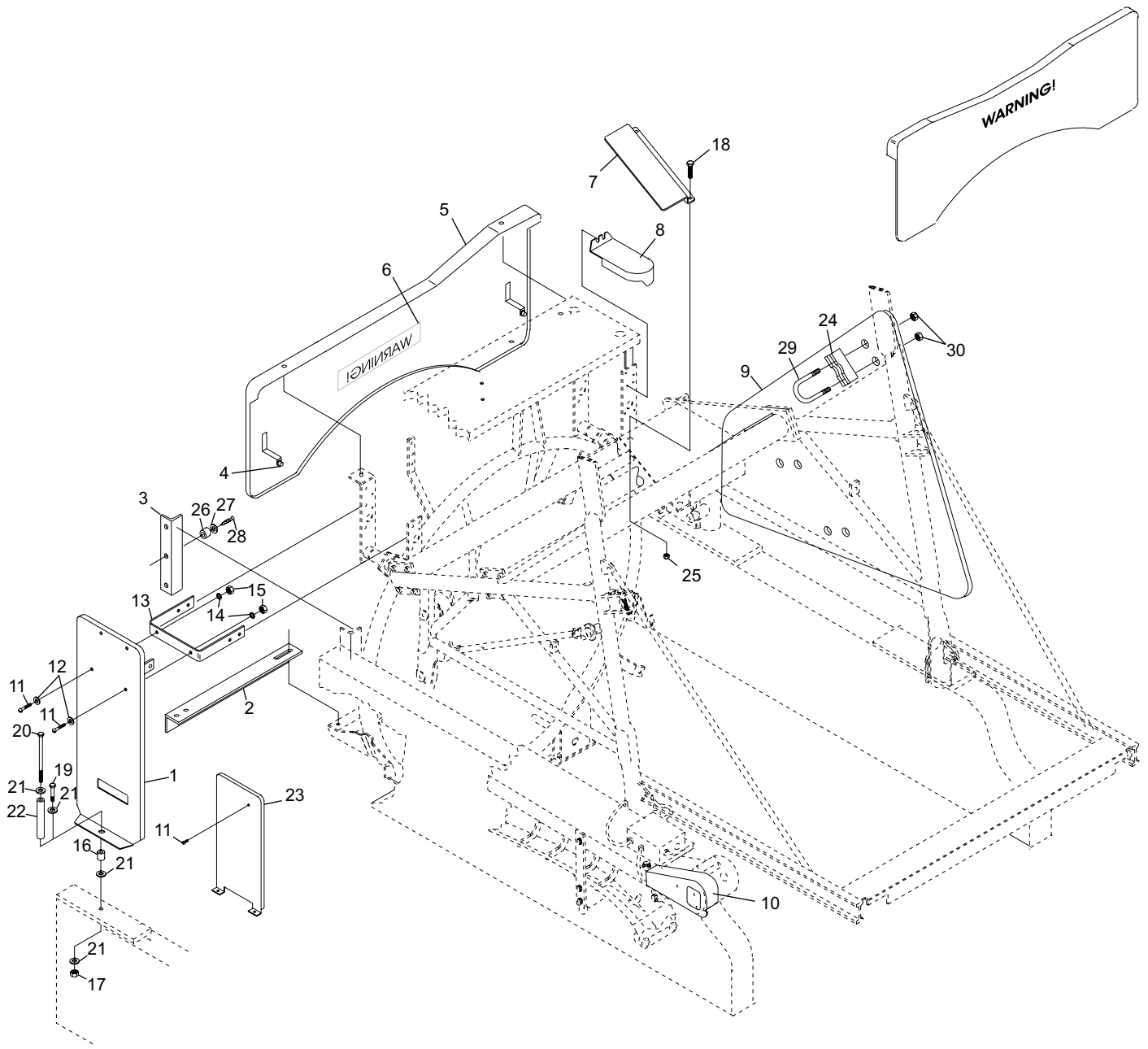
Section P

Guards

Index

No.	Part No.	Description
1.	12-752523-000	Small Guard
2.	12-400216-000	Ball Wheel Guard Assembly
	12-402039-000	Step Bar
	12-862155-000	Step Bar & Hardware
3.	12-400249-000	Pinch Guard
4.	12-400136-000	Plug
5.	12-400046-000	Rear Guard Assembly
6.	12-700206-000	Warning Label
7.	12-750567-000	Foot Guard
8.	12-400324-000	Shield Assembly
9.	12-750997-000	Foot Guard Extrusion
	12-860200-000	Foot Guard Package
10.	12-502338-000	Belt Shield
11.	11-017287-001	Round Head Cap Screw with Washer
12.	11-190010-001	Flat Washer (1/4)
13.	12-700804-000	"U" Bracket
14.	11-195014-001	Lockwasher (1/4)
15.	N.A.	Hex nut
16.	12-400018-006	Spacer
17.	11-125108-001	Hex Nut (1/2-13)
18.	11-001344-001	Hex Head Cap Screw (3/8-16 x 1")
19.	11-001517-001	Hex Head Socket Cap Screw (1/2-13 x 3-1/4")
20.	11-001531-001	Hex Head Socket Cap Screw (1/2-13 x 10-1/2")
21.	11-190521-001	Plain Washer
22.	12-400018-024	Spacer
23.	12-750523-000	Small Guard Assembly
24.	12-750999-000	Bracket
25.	11-170011-001	Hex Nut Nylock (3/8-16)
26.	N.A.	Spacer
27.	11-190006-001	Flat Washer - SAE (#10)
28.	11-042095-001	Round Head Slotted Wood Screw (#10 x 1")
29.	12-750998-000	U-Bolt
30.	11-170009-001	Hex Nut Nylock (5/16-18)

N.A. = No Longer Available



Pinsetter Guards

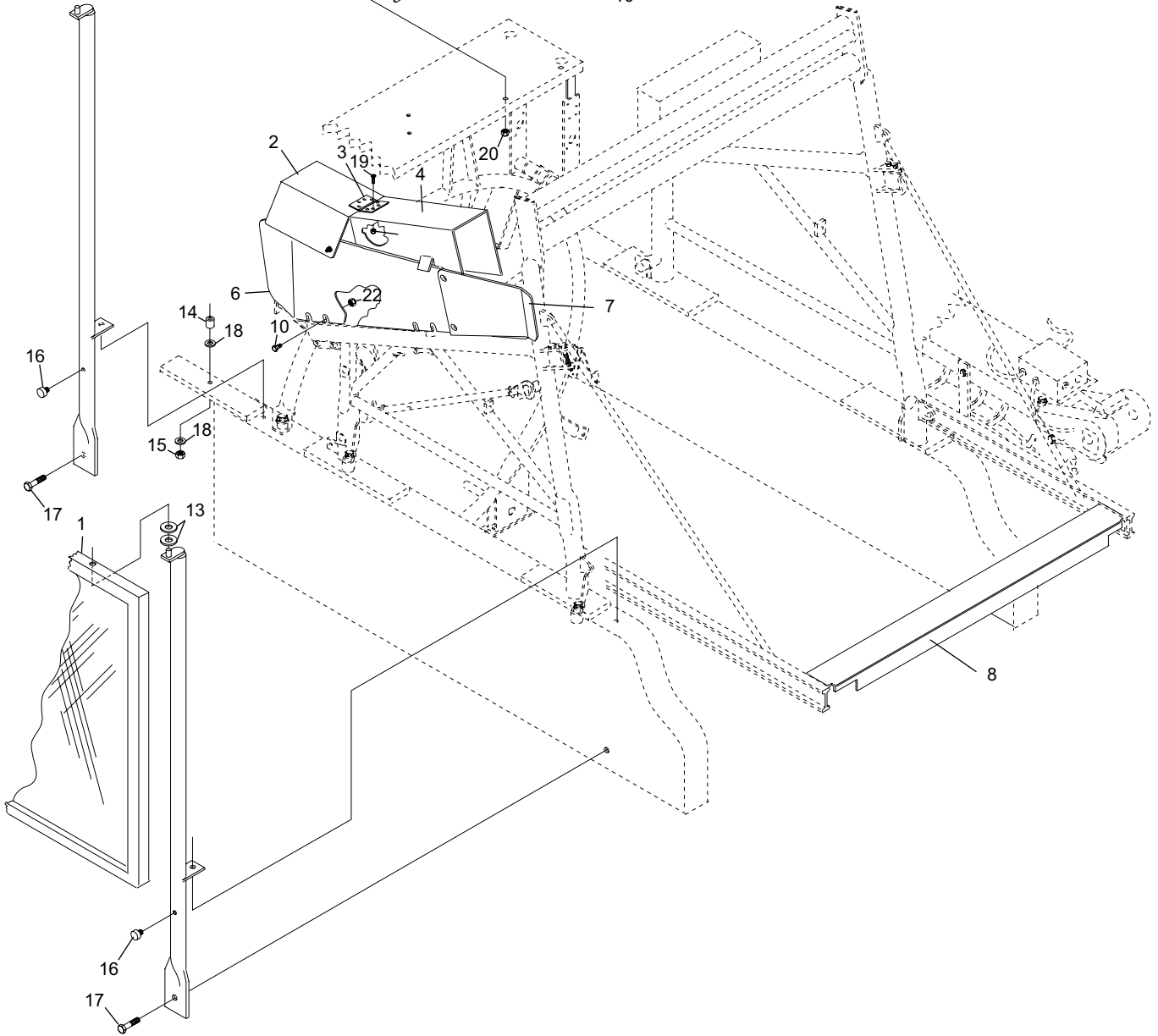
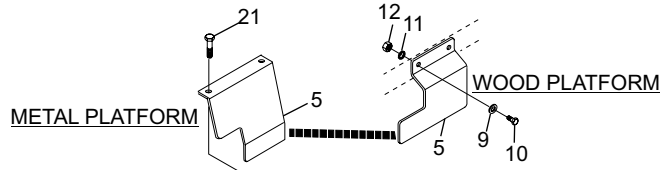
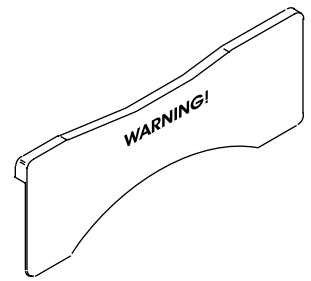
Index

No.	Part No.	Description
1.	12-700822-000	Large Guard Assembly
2.	12-750570-000	Rear Rake Crank Guard, See Note
3.	12-750575-000	Hinge
4.	12-750571-000	Rake Crank Guard
5.	12-402074-000	Motor Pulley Guard
	12-752574-000	Motor Pulley Guard
6.	12-350116-000	R.H. Foot Guard
	12-350517-000	L.H. Foot Guard
7.	12-750579-000	Foot Guard Extension
8.	12-750799-000	Pin Light support
9.	11-190010-001	Flat Washer (1/4)
10.	11-001180-001	Hex Head Cap Screw (1/4 x 5/8")
11.	11-195014-001	Lockwasher (1/4)
12.	11-125100-001	Hex Nut (1/4-20)
13.	12-750526-000	Support
14.	12-400018-006	Spacer (for factory built A-2 pinsetters)
	N.A.	Spacer (for field converted pinsetters)
15.	11-125108-001	Hex Nut (1/2-13)
16.	11-650002-000	Bumper
17.	11-070062-001	Lag Screw
18.	11-190521-001	Plain Washer
19.	11-007180-001	Flat Head Socket Cap Screw (1/4-20 x 5/8")
20.	11-170007-001	Hex Nut Nylock (1/4-20)
21.	11-072021-001	Step Bolt

N.A.= No Longer Available

NOTE: 12-802013-010 Guard Package includes:

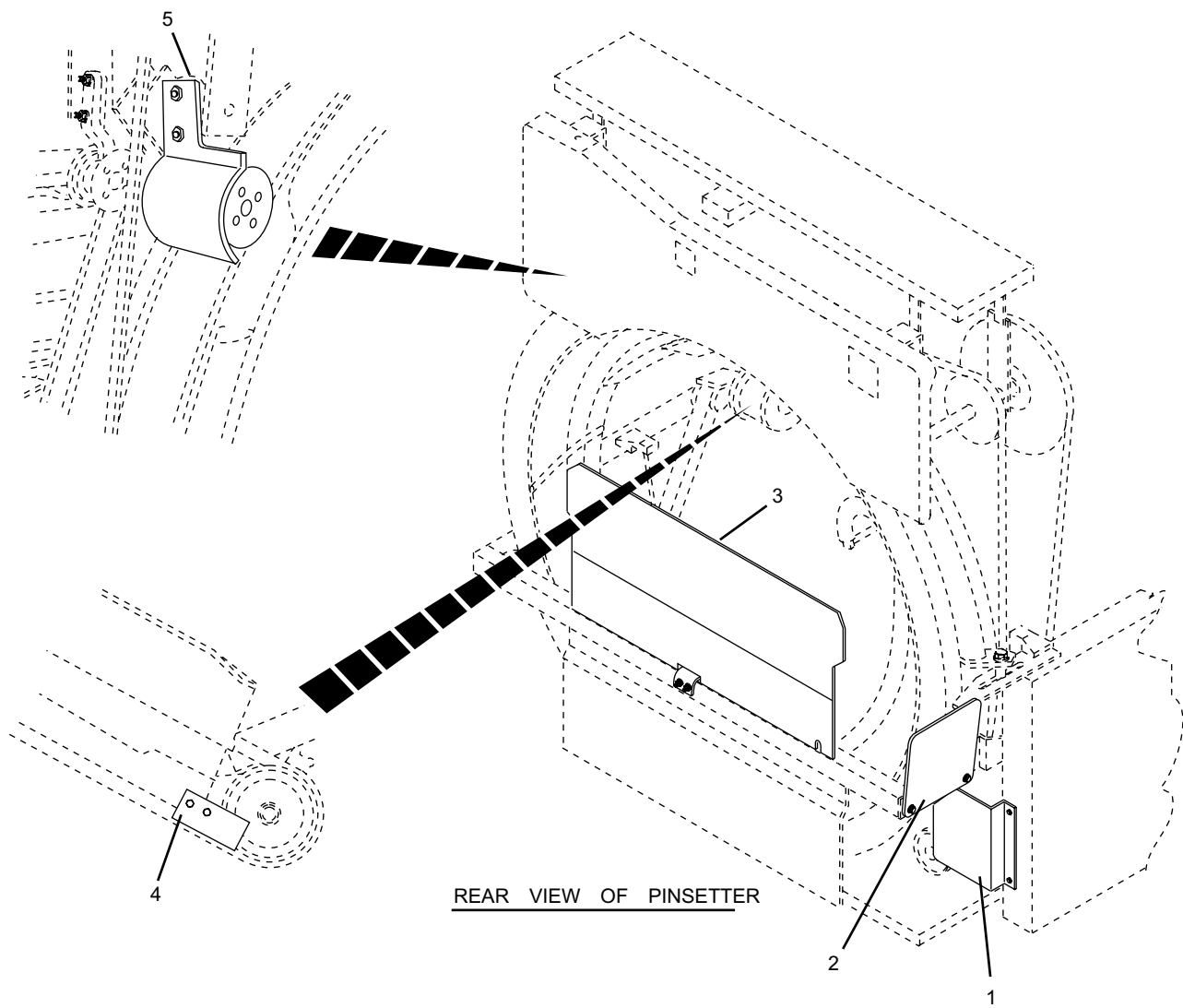
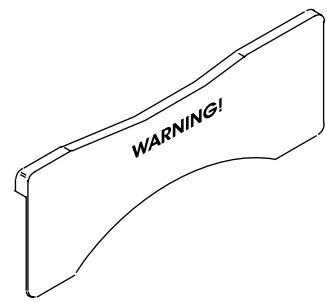
*12-750567-000 Foot Guard
12-750570-000 Rake Crank Guard
12-750574-000 Rake Crank Guard, Front
12-750579-000 Foot Guard Extension
12-750575-000 Hinge
12-862044-010 Hardware Bag*



Pinsetter Guards

Index

No.	Part No.	Description
1.	12-302003-000	Pit Conveyor Drive Guard
2.	12-402155-000	Pin Wheel Guard
3.	12-402405-000	Rear Pin Deflector
4.	12-450081-000	Cross Conveyor Belt Guard
5.	12-402156-000	Pin Wheel Guide Guard



REAR VIEW OF PINSETTER

Pinsetter Guards