

Section J

Cross Conveyor

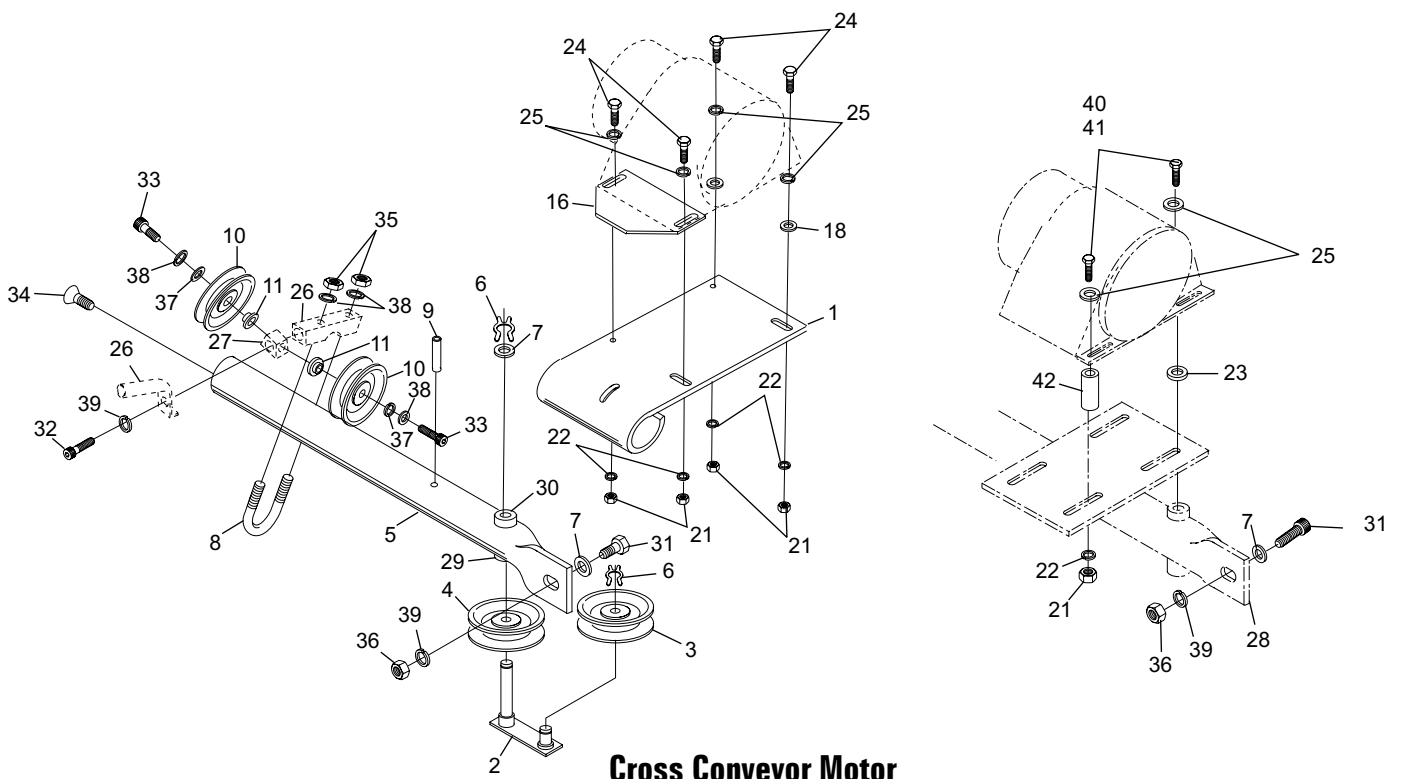
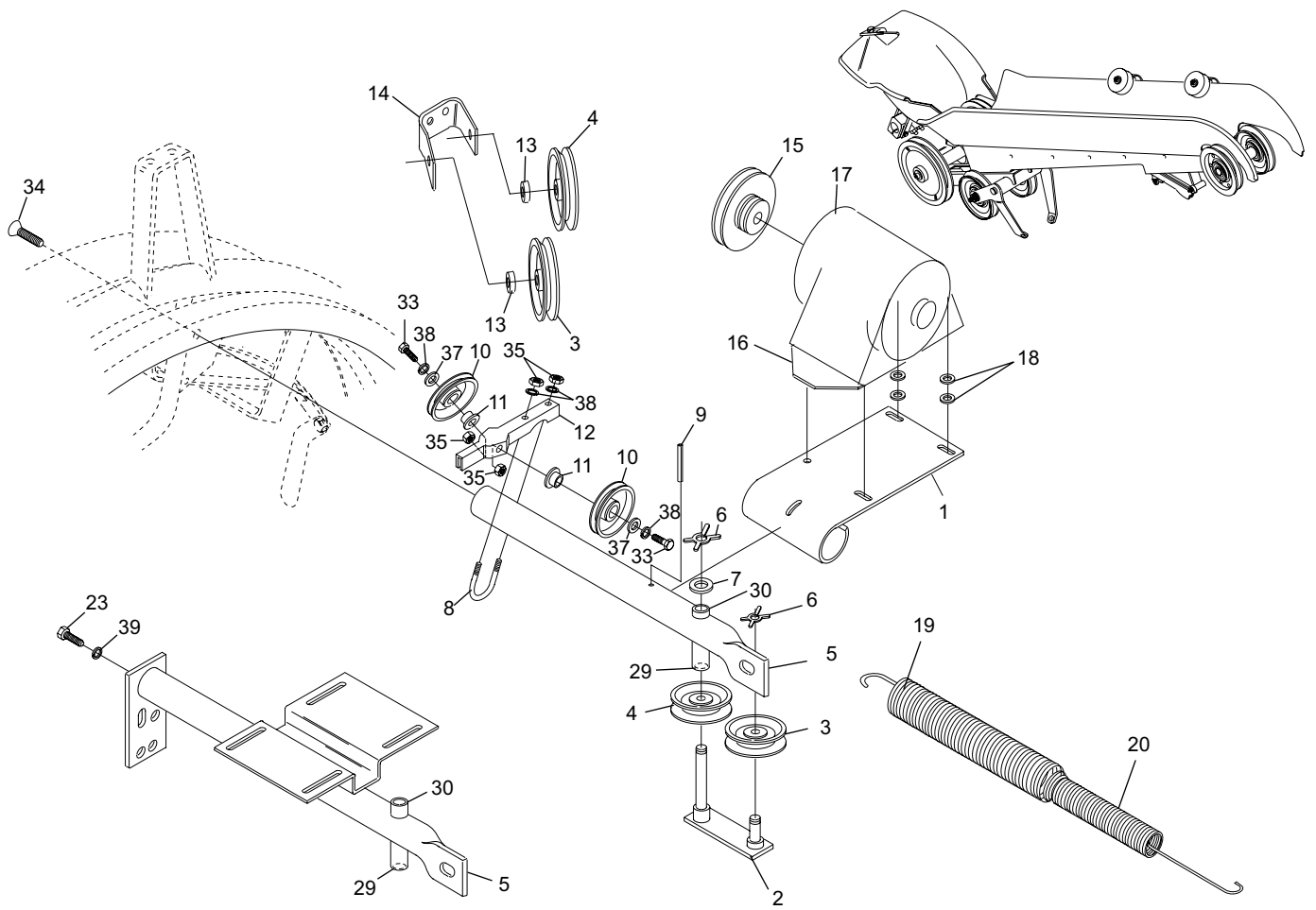
Index	Part Number	Description
1.	12-400101-000	Mount
2.	12-402059-000	Tension Lever Assembly, for A machines
	12-400059-000	Tension Lever Assembly, for A2 machines
3.	12-400219-000	Idler Pulley Assembly
4.	12-400221-000	Idler Pulley Assembly
5.	12-402280-000	Motor Mount Shaft Assembly
	12-402350-000	Motor Mount Shaft Assembly, for converted A2 machines
6.	11-230005-001	"X" Washer (1/4)
7.	11-190018-001	Flat washer (1/2)
8.	12-400022-000	U-Bolt
9.	11-345521-000	Roll Pin - (.375 X 2-1/4")
10.	12-400209-000	Idler Pulley Assembly, See Note 1
11.	12-400131-000	Spacer
12.	12-400311-000	Pulley Arm
13.	12-400018-008	Spacer
14.	12-400302-000	Idler Pulley Bracket
15.	12-402081-000	Motor Pulley, A-2 (60 cycle) 7.75
	12-502410-000	Motor Pulley, Jet Back 6.25
	12-400081-000	Motor Pulley, A machine 5.25
16.	12-400230-000	Plate
17.	12-752056-000	Pinsetter Motor (115/230V 50/60 Hz)
18.	11-190529-001	Plain Washer
19.	12-400806-002	Spring
20.	12-400806-003	Spring Hook
21.	11-125102-000	Hex Nut (5/16-18)
22.	11-195015-001	Lockwasher (5/16)
23.	11-001506-000	Hex Head Cap Screw (1/2-13 x 1-1/4")
24.	11-001266-001	Hex Head Cap Screw (5/16-18 x 1-1/4")
25.	11-190012-001	Flat Washer - SAE (5/16)
26.	N.A.	Idler Pulley Arm- See Note 2
27.	N.A.	Idler Pulley Bracket
28.	N.A.	Motor Mount Shaft Assembly
29.	11-420014-000	Bearing (.5025 I.D. X .6275 O.D.)
30.	11-421014-000	Bearing (.502 I.D. X .627 O.D.)
31.	11-001510-001	Hex Head Socket Cap Screw (1/2-13 x 1-3/4")
32.	N.A.	Hex Head Socket Cap Screw (1/2-13 x 1-1/2")
33.	11-005183-001	Hex Head Socket Cap Screw (1/4-20 x 7/8")
34.	11-007504-000	Hex Head Socket Cap Screw (1/2-13 x 1")
35.	11-125100-001	Hex Nut (1/4-20)
36.	11-125108-001	Hex Nut (1/2-13)
37.	11-190010-001	Flat Washer (1/4)
38.	11-195014-001	Lockwasher (1/4)
39.	11-195018-001	Lockwasher (1/2)
40.	11-001268-001	Hex Head Cap Screw (5/16-18 x 1-1/2")
41.	11-001276-001	Hex Head Cap Screw (5/16-18 x 3")
42.	10-386089-000	Spacer (11/32 x 1-1/2)

N.A. = No Longer Available

NOTE 1: Order 12-400221-000 for the Idler Pulley, V-Belt

NOTE 2: Order Idler Pulley Arm P/N 12-400311-000 and (2) 11-002005-000

Cross Conveyor Motor



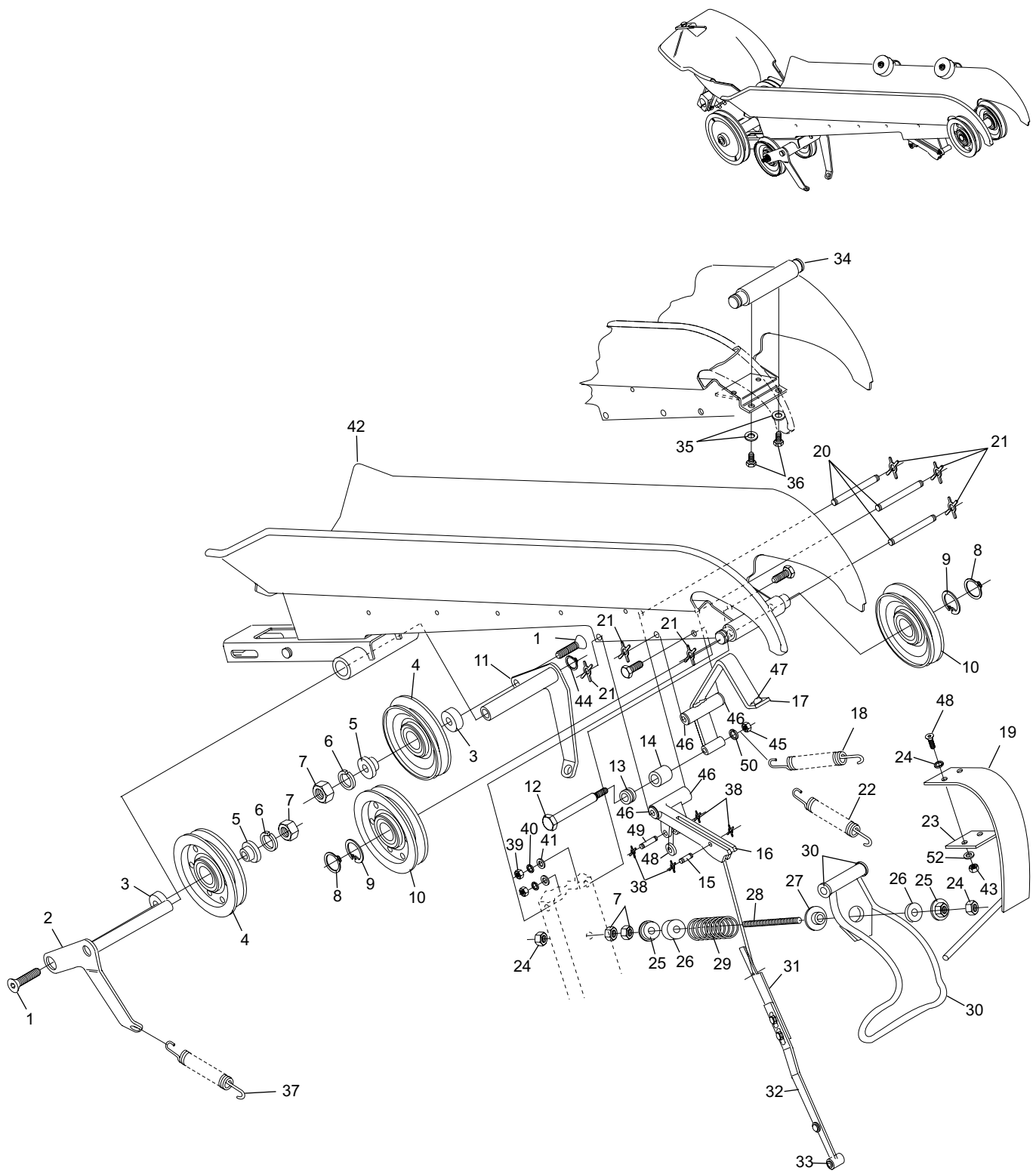
Cross Conveyor Motor

Index

No.	Part No.	Description
1.	11-007348-001	Flat Head Socket Cap Screw (3/8-16 x 1-1/2")
2.	12-450015-000	Lever Assembly
3.	12-450026-004	Spacer
4.	12-450035-000	Idler Pulley
5.	12-450012-000	Bushing
6.	11-195016-001	Lockwasher (3/8)
7.	11-125204-001	Hex Jam Nut (3/8-16)
8.	11-530025-001	External Retaining Ring
9.	11-531512-000	Beveled Retaining Ring (1.761 O.D.)
10.	12-450034-000	Cross Conveyor Pulley
11.	N.A.	Lever Assembly
12.	12-450063-000	Shoulder Bolt
13.	12-450045-003	Spring Wheel
14.	12-450064-000	Roller
15.	11-345306-000	Roll Pin (3/16 x 5/8")
	12-252016-000	Pin Gate Latch Bolt Assembly
16.	12-450032-000	Latch Assembly
17.	12-450017-000	Pin Gate Assembly
18.	12-450061-000	Tension Spring
19.	12-450075-000	Snubber Assembly
20.	12-450006-002	X-Washer Pin
21.	11-230002-001	"X" Washer (5/32)
22.	11-450051-001	Ball Bearing
	12-450079-000	Tension Spring
23.	12-450080-000	Rubber Spacer
24.	11-190010-001	Flat Washer (1/4)
25.	12-150063-000	Spring Seat Assembly
26.	12-450023-003	Bumper
27.	12-450027-000	Spring Seat
28.	12-150062-000	Stud
29.	12-450028-000	Compression Spring
30.	11-421054-000	Bearing (.3135 I.D. X .438 O.D.)
31.	12-150057-003	Strap
	12-860808-000	Heavy Duty Pin Gate Strap
32.	12-150227-000	Linkage Assembly
33.	11-420048-000	Bearing (.1885 I.D. X .3145 O.D.)
34.	12-450043-008	Shaft
35.	11-195015-001	Lockwasher (5/16)
36.	11-001260-001	Hex Head Cap Screw (5/16-18 x 5/8")
37.	12-450008-000	Tension Spring
38.	11-230000-001	X-Washer (3/32)
39.	11-125102-000	Hex Nut (5/16-18)
40.	11-195017-001	Lockwasher (7/16)
41.	11-190012-001	Flat Washer - SAE (5/16)
42.	N.A.	Cross Conveyor Frame Assembly
43.	11-125106-001	Hex Nut (7/16-14)
44.	11-530019-000	External Retaining Ring
45.	11-125006-001	Hex Nut (12-24)
46.	11-421053-000	Roll Pin (3/16 x 1-3/4")
47.	11-650001-000	Bumper
48.	11-006184-001	Button Head Socket Cap Screw (1/4-20 x 1")
49.	12-450006-003	X-Washer Pin
50.	11-195012-001	Lockwasher (#12)

N.A. = No Longer Available

Cross Conveyor Drive



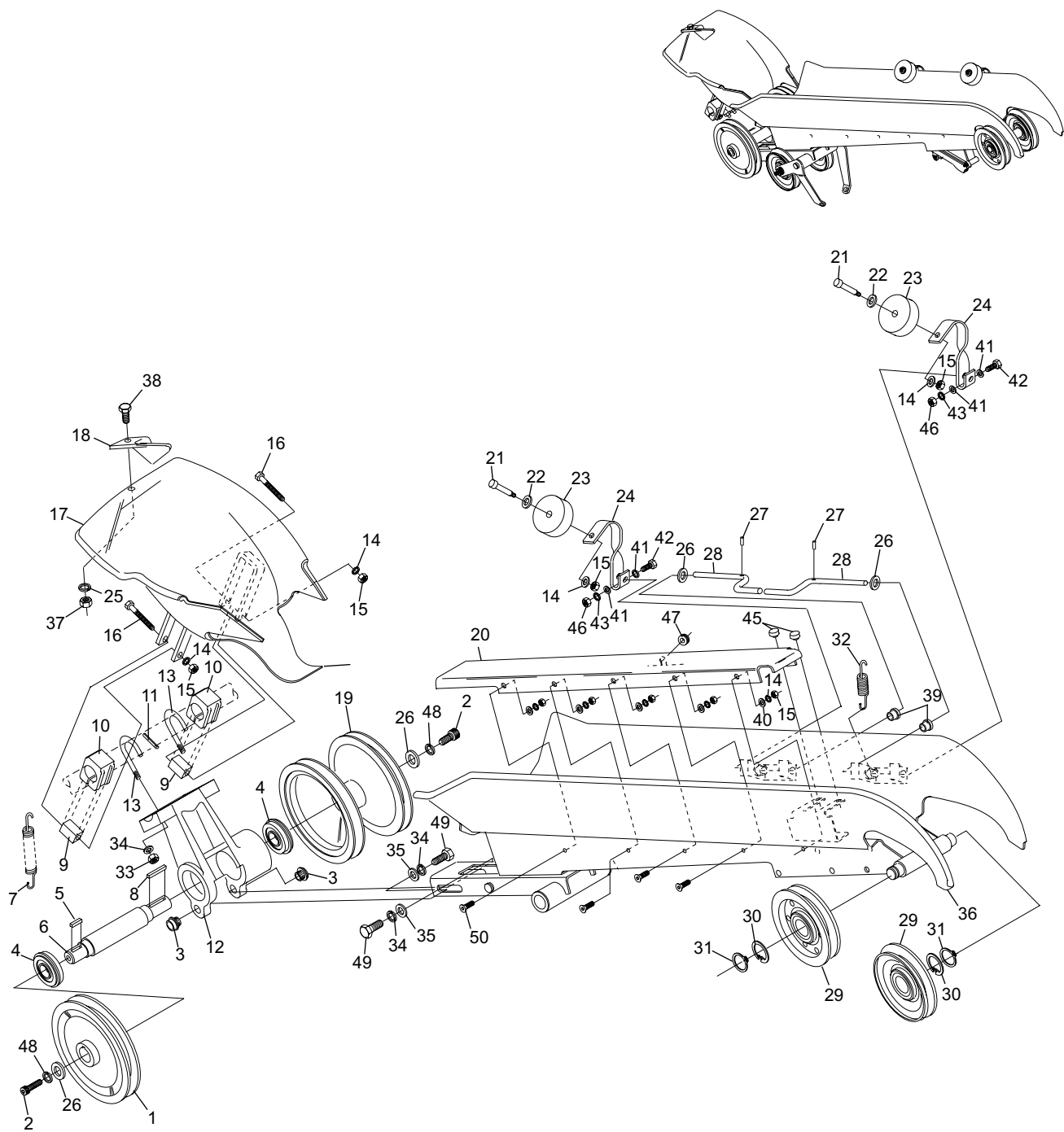
Cross Conveyor Drive

Index

No.	Part Number	Description
1.	12-450033-000	Pulley
2.	11-005343-001	Cap Screw
3.	11-155307-001	Spline Nut (5/16-24)
4.	11-430018-000	Ball Bearing
5.	12-450052-002	Key
6.	12-450003-000	Shaft
7.	12-450005-000	Tension Spring
8.	12-450052-003	Key
9.	12-450039-000	Spacer
10.	12-450038-000	Rubber Mount
11.	11-345315-000	Roll Pin (3/16 x 1-3/8")
12.	12-450002-000	Bracket
13.	12-450048-000	J-Bolt
14.	11-195010-001	Lockwasher (#10)
15.	11-125004-001	Hex Nut (#10-24)
16.	11-001072-001	Hex Head Cap Screw (10-24 x 2")
17.	12-450044-000	Turn Around Pan Assembly
18.	12-402434-000	Nylon Turn Pan Cam
19.	12-450004-000	Pulley
20.	12-450040-000	Pin Rest
21.	11-106504-001	Stripper Hex Head Socket Cap Screw (10-24 x 1")
22.	12-100170-016	Washer
23.	12-450056-000	Wheel
24.	12-450057-000	Bracket
25.	11-195017-001	Lockwasher (7/16)
26.	11-190514-001	Flat Washer
27.	11-360258-001	Spirol Pin (3/32 x 5/8")
28.	12-450053-000	Shaft
29.	12-450090-000	Cross Conveyor Idler Pulley
30.	11-531512-000	Beveled Retaining Ring (1.761 O.D.)
31.	11-530025-001	External Retaining Ring
32.	12-450079-000	Tension Spring
33.	11-125102-000	Hex Nut (5/16-18)
34.	11-195015-001	Lockwasher (5/16)
35.	11-190012-001	Flat Washer - SAE (5/16)
36.	N.A.	Cross Conveyor Frame Assembly
37.	11-125106-001	Hex Nut (7/16-14)
38.	11-001423-001	Hex Head Cap Screw (7/16-14 x 7/8")
39.	11-421009-000	Bearing (.3765 I.D. X .502 O.D.)
40.	11-190006-001	Flat Washer - SAE (#10)
41.	11-190010-001	Flat Washer (1/4")
42.	11-001186-001	Hex Head Bolt (1/4-20 x 1-1/4")
43.	11-195014-001	Lockwasher (1/4)
44.	N.A.	Bearing (2 required)
45.	12-450059-000	Bumper
46.	11-125100-001	Hex Nut (1/4-20)
47.	11-651004-000	Grommet
48.	11-195016-001	Lockwasher (3/8)
49.	11-001304-000	Hex Head Cap Screw (5/16-24 x 1")
50.	11-007090-001	Flat Head Socket Cap Screw (10-24 x 5/8")

N.A. = No Longer Available

Cross Conveyor



Cross Conveyor