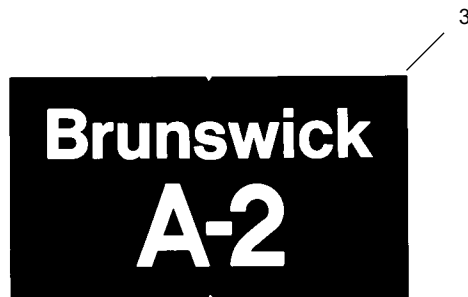
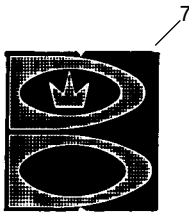
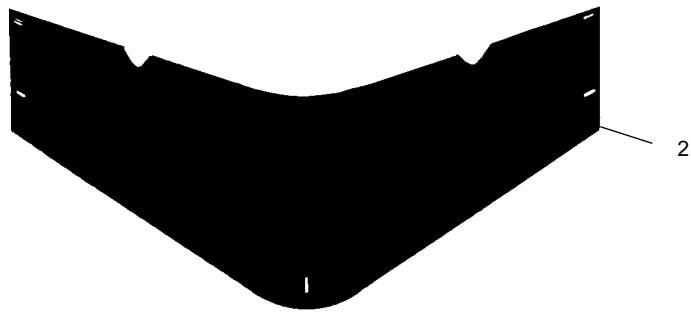
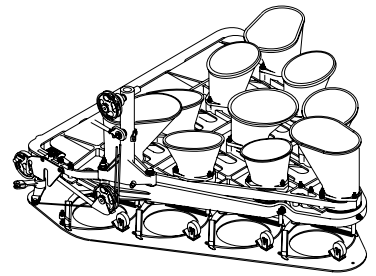


**Section D**

**Deck**

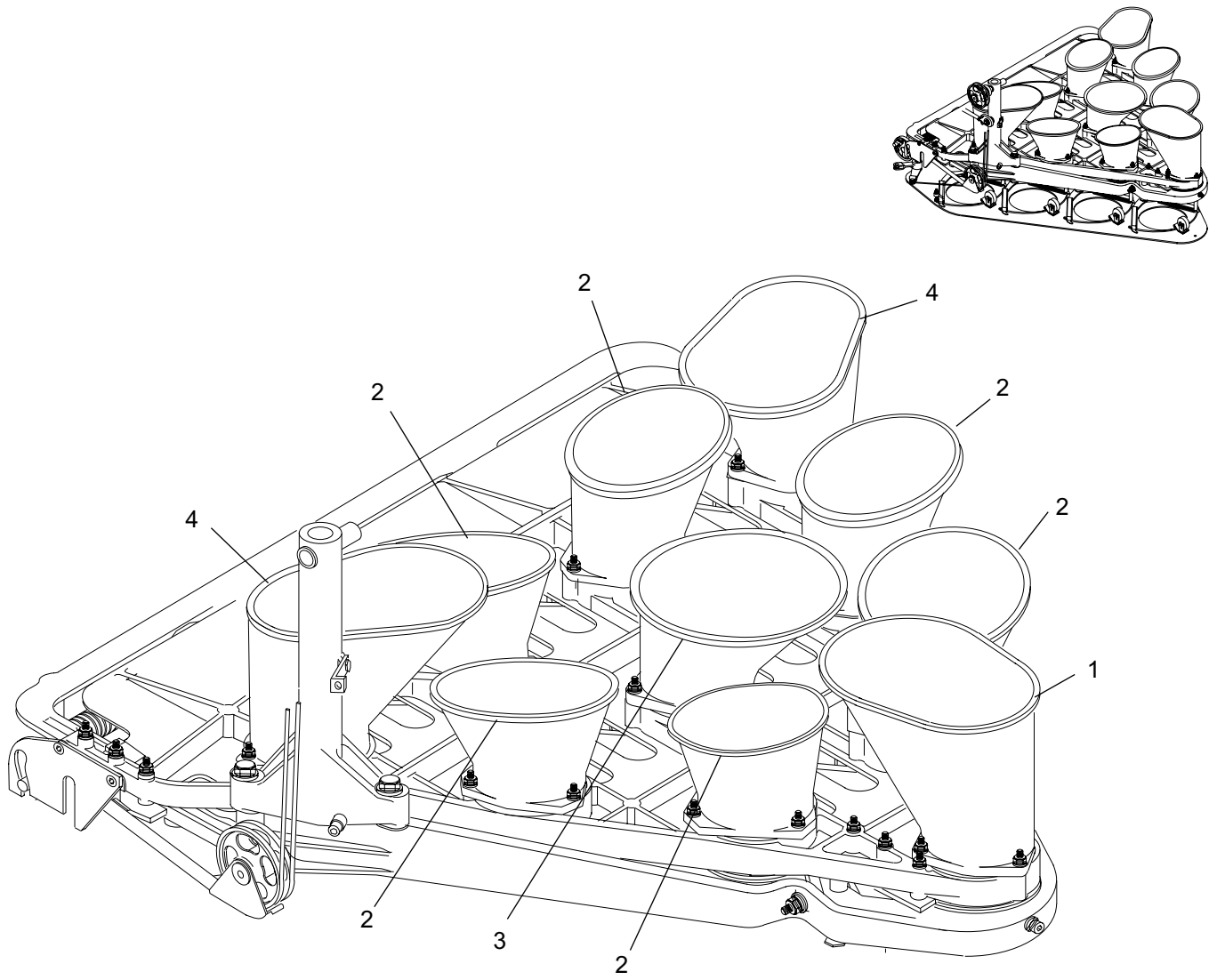
| <b>Index</b> | <b>Part Number</b> | <b>Description</b>                    |
|--------------|--------------------|---------------------------------------|
| 1.           | 12-862037-010      | Brown Deck Shield Assembly            |
| 2.           | 12-862037-002      | Grey Deck Shield Assembly (w/o Decal) |
| 3.           | 12-202194-000      | Deck Shield Decal                     |
| 4.           | 12-202177-000      | Deck Shield Decal                     |
| 5.           | N.A.               | Decal                                 |
| 6.           | 12-502418-000      | Deck Shield Decal                     |
| 7.           | 12-200142-000      | Decal                                 |
| 8.           | N.A.               | Decal                                 |

*N.A. = No Longer Available*



Deck Shield

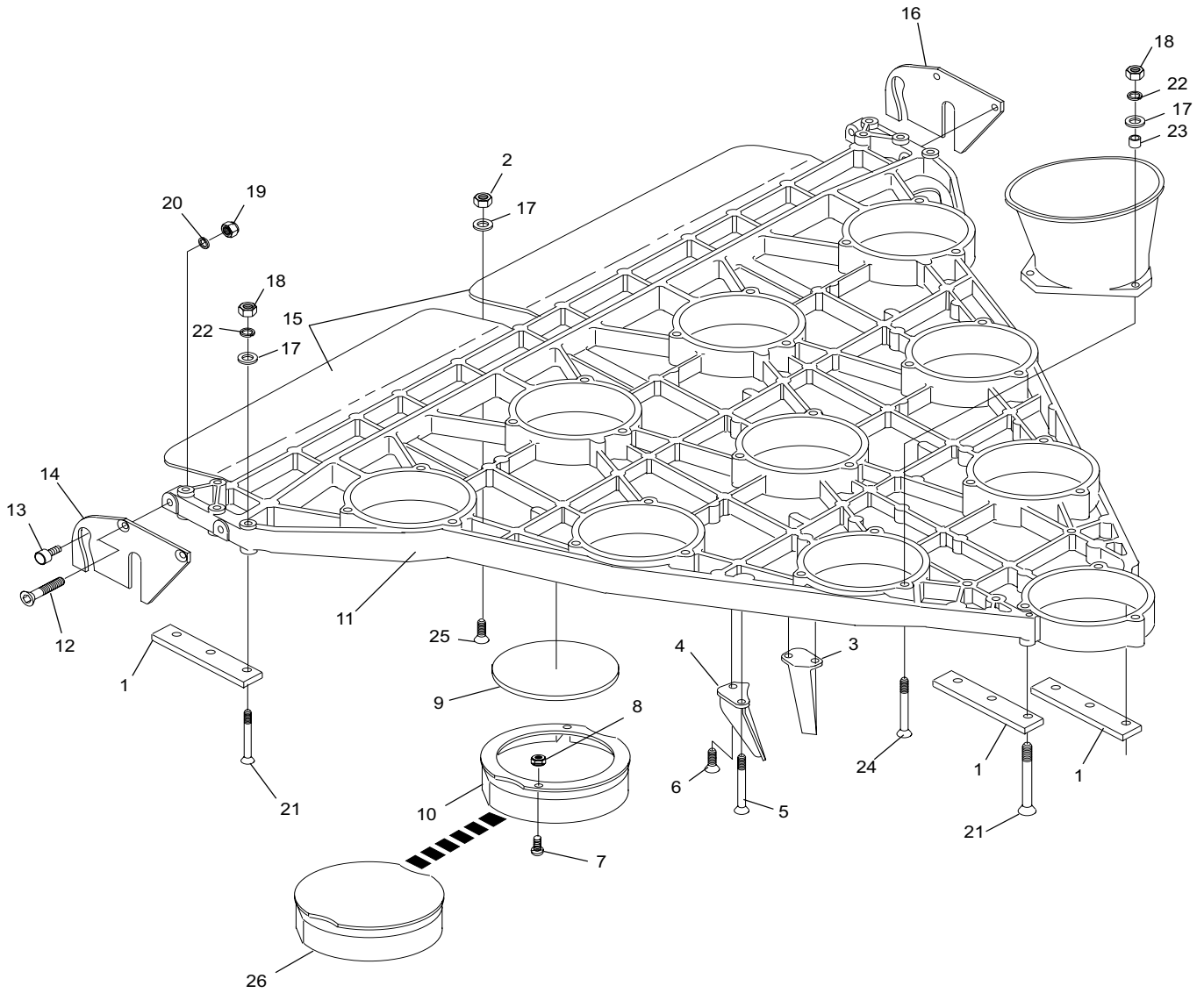
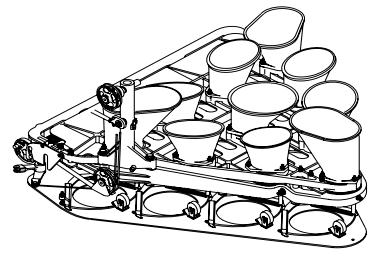
| <b>Index</b> | <b>Part Number</b> | <b>Description</b>                    |
|--------------|--------------------|---------------------------------------|
| 1.           | 12-200808-602      | AP Urethane Deck Chute (#1)           |
|              | 12-200808-002      | Rubber Deck Chute (#1)                |
|              | 12-200864-002      | Deck Chute (#1)                       |
| 2.           | 12-200900-600      | AP Urethane Multi-Position Deck Chute |
|              | 12-200900-000      | Rubber Multi-Position Deck Chute      |
|              | 12-200894-000      | Deck Chute (#2, 3, 4, 6, 8, 9)        |
| 3.           | 12-200836-600      | Urethane Deck Chute (#5)              |
|              | 12-200837-000      | Rubber Deck Chute (#5)                |
|              | 12-200895-000      | Deck Chute (#5)                       |
| 4.           | 12-200808-603      | AP Urethane Deck Chute (#7, 10)       |
|              | 12-200808-003      | Rubber Deck Chute (#7, 10)            |
|              | 12-200864-003      | Deck Chute (#7, 10)                   |



## Deck Assembly

| <b>Index</b> | <b>Part Number</b> | <b>Description</b>   |
|--------------|--------------------|--|
| 1.           | 12-200089-000      | Track  |
| 2.           | 11-170007-001      | Hex Nut Nylock (1/4-20)  |
| 3.           | 12-200892-000      | R.H. Spotting Finger   |
|              | 90-200892-000      | R.H. Nylon Spotting Finger   |
| 4.           | 12-200893-000      | L.H. Spotting Finger   |
|              | 90-200893-000      | L.H. Nylon Spotting Finger   |
| 5.           | 11-007197-001      | Flat Head Socket cap Screw (1/4-20 x 3-1/4")                               |
|              | 11-001198-001      | Hex Head Cap Screw (1/4-20 x 3-1/2")                                       |
| 6.           | 11-007186-001      | Flat Head Socket Cap Screw (1/4-20 x 1-1/4")                               |
|              | 11-001186-001      | Hex Head Bolt (1/4-20 x 1-1/4")  |
| 7.           | 11-015165-001      | Hex Head Socket Cap Screw (10-24 x 5/8")                                   |
|              | 11-018087-001      | Screw with Lock Washer Assembly (10-24 x 5/8"), for S/N 67499<br>and below |
| 8.           | 11-176006-001      | Keps Nut (#10-24)  |
| 9.           | 12-200162-000      | Switch Plate   |
| 10.          | 12-860570-000      | Non-Pinfinder Deck Pads (Pkg. of 10)                                       |
| 11.          | 12-862117-000      | Moving Deck Assembly   |
| 12.          | 11-007352-001      | Flat Head Socket Cap Screw (3/8-16 x 2")                                   |
| 13.          | 11-480001-000      | Cam Follow Needle Bearing  |
| 14.          | 12-200035-000      | L.H. Geneva Plate  |
| 15.          | 12-200862-000      | Pin Deflector  |
| 16.          | 12-200036-000      | R.H. Geneva Plate  |
| 17.          | 11-190010-001      | Flat Washer (1/4)  |
| 18.          | 11-125100-001      | Hex Nut (1/4-20)   |
| 19.          | 11-125104-001      | Hex Nut (3/8-16)   |
| 20.          | 11-195016-001      | Lockwasher (3/8)   |
| 21.          | 11-007195-001      | Flat Head Socket Cap Screw (1/4-20 x 2-3/4")                               |
| 22.          | 11-195014-001      | Lockwasher (1/4)   |
| 23.          | 12-200047-003      | Spacer   |
| 24.          | 11-001196-001      | Hex Head Cap Screw (1/4-20 x 3")   |
| 25.          | 11-001185-001      | Hex Head Cap Screw (1/4-20 x 1-1/8")                                       |
| 26.          | 12-860571-000      | Pinfinder Deck Pads (Pkg. of 10)   |

## Moving Deck



### Moving Deck

| Index | Part Number   | Description                                  | Index | Part Number   | Description   |
|-------|---------------|--|-------|---------------|---|
| 1.    | 11-007182-001 | Flat Head Socket Cap Screw (1/4-20 x 3/4")   | 44.   | 11-006182-001 | Button Head Socket Cap Screw (1/4-20 x 3/4")  |
| 2.    | 12-200038-000 | Roller Bracket                               | 45.   | 11-006188-001 | Button Head Socket Cap Screw (1/4-20 x 1-1/2")  |
| 3.    | 12-100166-031 | Pin  | 46.   | 12-200863-000 | Flanged Bearing   |
| 4.    | 11-230002-001 | "X" Washer (5/32)                            | 47.   | 11-006186-001 | Button Head Socket Cap Screw (1/4-20 x 1-1/4")  |
| 5.    | 12-200023-000 | Toggle Lever Assembly, See Note 1            | 48.   | 11-007186-001 | Flat Head Socket Cap Screw (1/4-20 x 1-1/4")  |
| 6.    | 12-200120-004 | Scissor Gripper Pad                          | 49.   | 11-007188-001 | Flat Head Hex Socket Cap Screw (1/4-20 x 1-1/2"), for machines with finishing washers |
| 7.    | 12-200017-092 | Scissor Arm Assembly                         | 50.   | 11-006180-001 | Button Head Socket Cap Screw (1/4-20 x 5/8")  |
| 8.    | 12-200026-000 | Link (Scissor Arm)                           | 51.   | 11-007180-001 | Flat Head Socket Cap Screw (1/4-20 x 5/8")  |
| 9.    | 12-200105-000 | Flanged Oilite Bearing                       | 52.   | 11-420056-000 | Bearing (.3775 I.D. X .5025 O.D.)   |
| 10.   | 12-200027-000 | Shoulder Pin                                 | 53.   | 11-190010-000 | Flat Washer (1/4)   |
| 11.   | 12-200020-000 | Distributing Lever Assembly                  | 54.   | 11-125100-001 | Hex Nut (1/4-20)  |
| 12.   | 12-200109-000 | Hardened Stud                                | 55.   | 11-007198-001 | Flat Head Socket Cap Screw (1/4-20 x 3-1/2")  |
| 13.   | 12-200081-003 | Pin  | 56.   | 12-200896-000 | Finishing Washer  |
| 14.   | 12-200061-000 | Drag Link Pin                                | 57.   | 11-007200-001 | Flat Head Socket Cap Screw (1/4-20 x 4")  |
| 15.   | 12-200003-000 | Scissor Deck, See Note 2                     | 58.   | 11-199005-001 | Internal Tooth Lockwasher (1/4)   |
| 16.   | 12-200016-091 | Scissor Arm Assembly - Complete              | 59.   | 12-200103-000 | Bearing   |
| 17.   | 12-200041-000 | Spacer                                       | 60.   | 12-200110-000 | Stud  |
| 18.   | 12-200032-000 | Neoprene Stop                                | 61.   | 12-200067-000 | Scissor Cable Assembly  |
| 19.   | 12-200094-000 | Wire   | 62.   | 12-200152-003 | Knurled Pin   |
| 20.   | 12-200019-092 | Scissor Arm                                  | 63.   | 12-200048-000 | Wheel   |
| 21.   | 11-005182-001 | HexHead Socket Cap Screw (1/4-20 x 3/4")     | 64.   | 12-200045-000 | Link  |
| 22.   | 12-200051-000 | Connecting Tube Assembly                     | 65.   | 12-200081-002 | Pin   |
| 23.   | 12-200170-000 | Flanged Pin                                  | 66.   | 11-420007-000 | Bearing (.3765 I.D. X .503 O.D.)  |
| 24.   | 11-420070-000 | Sieve Oilite Bearing                         | 67.   | 12-200014-000 | Connecting Rod Assembly   |
|       | 11-421006-000 | Flanged Bronze Bearing                       | 68.   | 12-200139-000 | Connecting Rod Assembly   |
| 25.   | 11-230003-001 | "X" Washer (3/16)                            | 69.   | 12-200140-002 | Spacer  |
| 26.   | 11-422002-000 | Bearing (.510 I.D. X 1.000 O.D.)             | 70.   | 12-200140-003 | Spacer  |
| 27.   | 11-483001-000 | Needle Roller Bearing                        | 71.   | N.A.          | Connecting Rod  |
| 28.   | 12-200865-000 | Plate  | 72.   | 12-200012-000 | Connecting Rod Assembly   |
| 29.   | 12-200031-003 | Nylon Washer                                 | 73.   | 12-200013-000 | Rod Assembly  |
|       | 12-200031-004 | Nylon Washer                                 | 74.   | 90-200114-600 | A-2 Pinsetter Urethane Deck Bumper AP   |
| 30.   | 12-200039-000 | Drag Link                                    |       |               |   |
| 31.   | 12-200028-000 | Shoulder Pin                                 |       |               |   |
| 32.   | 12-200104-000 | Flanged Oilite Bearing                       |       |               |   |
| 33.   | 12-200018-000 | Scissor Arm Assembly                         |       |               |   |
| 34.   | 12-200016-000 | Scissor Arm Assembly                         |       |               |   |
| 35.   | 12-200029-000 | Stud   |       |               |   |
| 36.   | 12-200059-002 | Washer                                       |       |               |   |
| 37.   | 11-198005-001 | External Tooth Lockwasher (1/4)              |       |               |   |
| 38.   | 11-420055-000 | Bearing (.3155 I.D. X .4395 O.D.)            |       |               |   |
| 39.   | 12-200114-000 | Rubber Deck Roller Assembly                  |       |               |   |
|       | 12-200115-000 | Rubber Deck Roller Only                      |       |               |   |
|       | 90-200114-000 | Urethane Deck Roller                         |       |               |   |
| 40.   | 11-483000-000 | Needle Roller Bearing                        |       |               |   |
| 41.   | 11-423000-000 | Sieve Oilite Bearing                         |       |               |   |
| 42.   | 11-006218-000 | Button Head Socket Cap Screw (1/4-28 x 1/2") |       |               |   |
| 43.   | 11-007216-001 | Flat Head Socket Cap Screw (1/4-28 x 3/8")   |       |               |   |

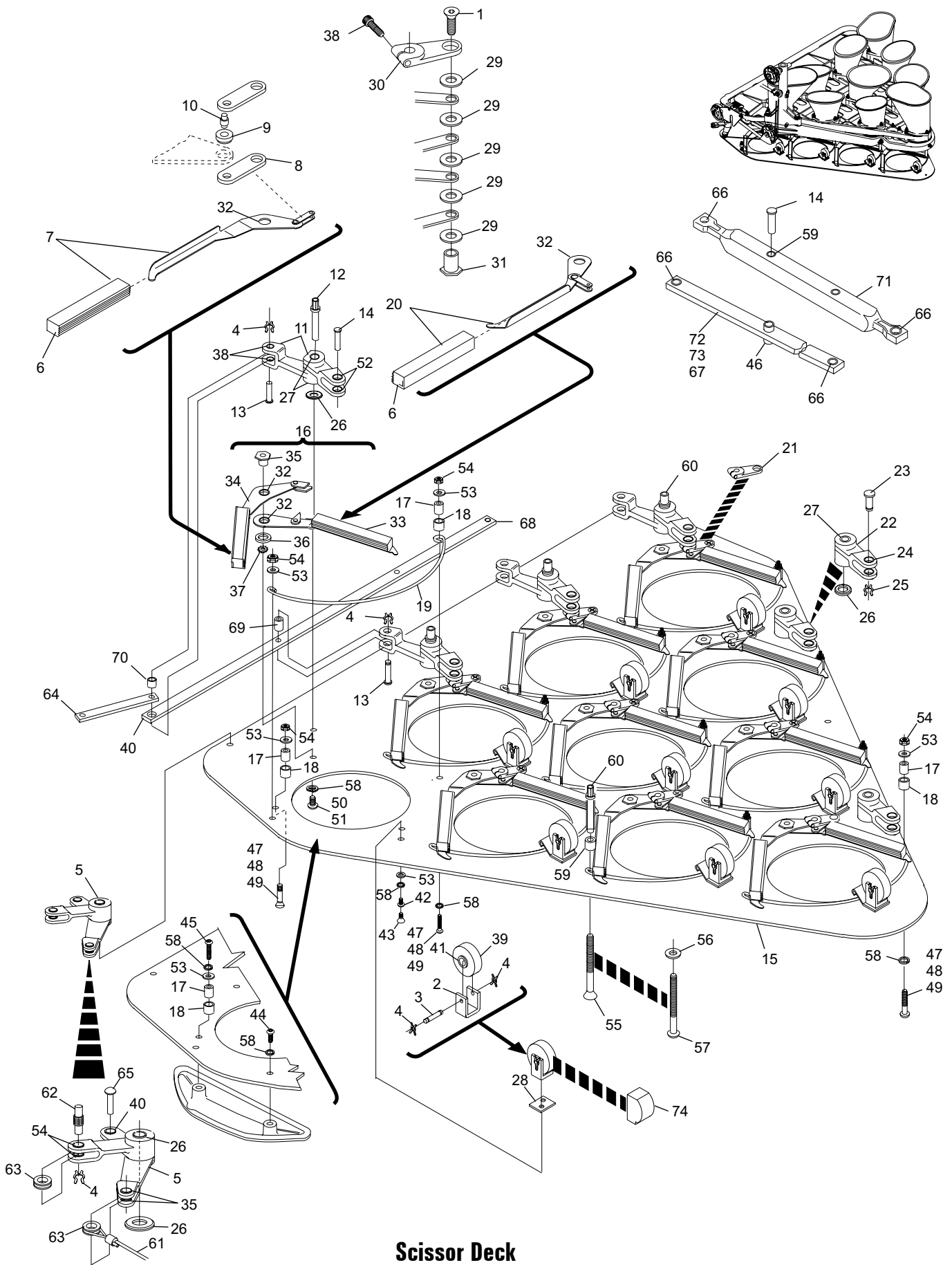
N.A. = No Longer Available

**NOTE 1:** Order 2 each 11-420070-000 Bearing and 2 each 11-200152-003 Knurled Pin.

**NOTE 2:** Need to order 10 of adapter plates 12-200865-000

## Scissor Deck





**Scissor Deck**

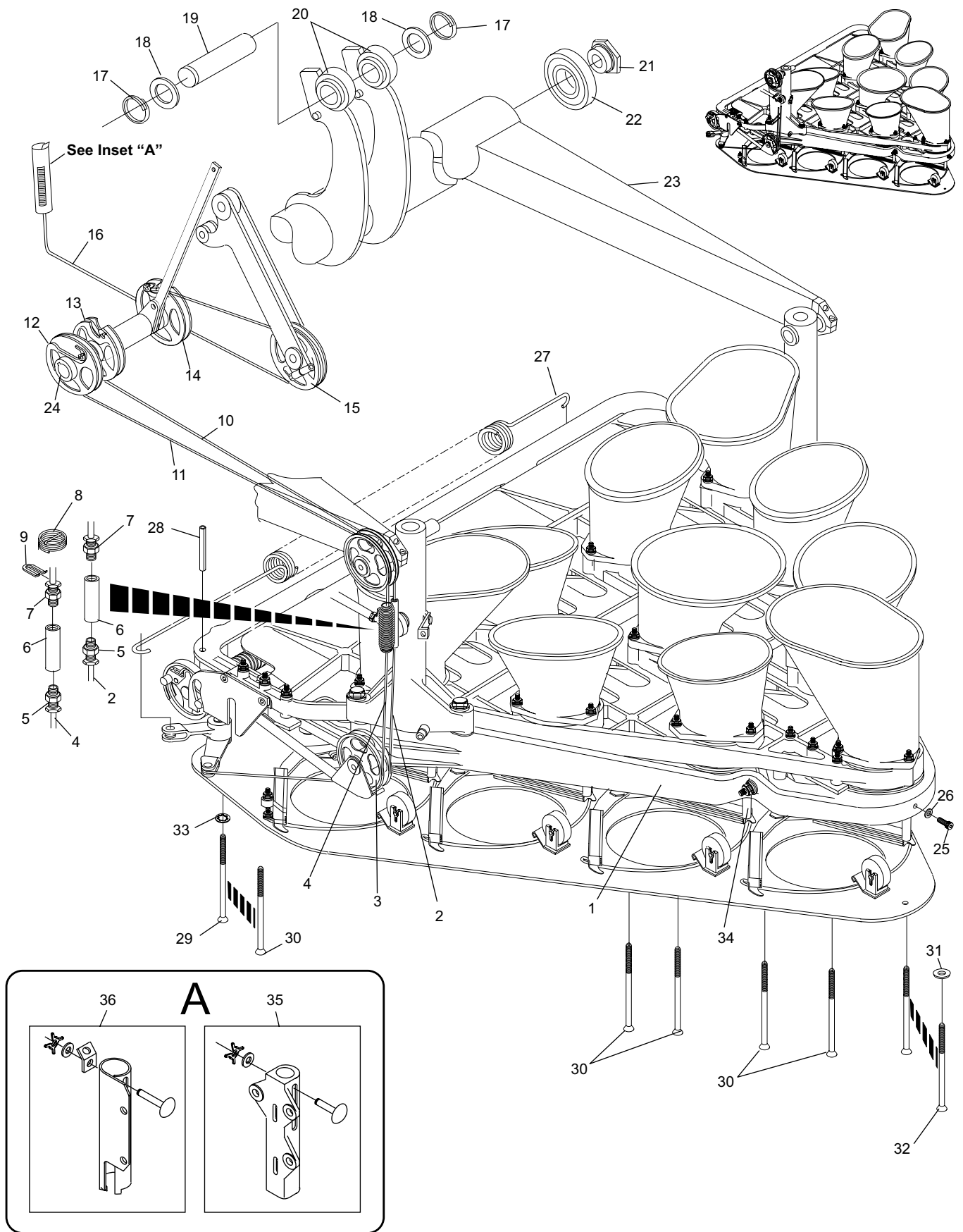
| Index | Part Number   | Description   |
|-------|---------------|---|
| 1.    | 12-862117-000 | Moving Deck Assembly  |
| 2.    | 12-200067-000 | Scissor Cable Assembly  |
| 3.    | 12-200055-000 | Pulley Assembly   |
| 4.    | 12-200066-004 | Cable Assembly  |
| 5.    | 11-125259-001 | Hex Jam Nut (1/2-20)  |
| 6.    | 12-200069-000 | Barrel  |
| 7.    | 11-125209-001 | Hex Jam Nut (1/2-20)  |
| 8.    | 12-200125-000 | Keeper Spring   |
| 9.    | 12-200099-000 | Spring Retainer   |
| 10.   | 12-200066-002 | Cable Assembly  |
| 11.   | 12-200066-003 | Cable Assembly  |
| 12.   | 12-350029-000 | Moving Deck Pulley  |
| 13.   | 12-350033-000 | Scissor Pulley Assembly, see page 14K for breakdown                         |
| 14.   | 12-350030-000 | Moving Deck Pulley  |
| 15.   | 12-100081-000 | Pulley Assembly   |
| 16.   | 12-100280-000 | Moving Deck Cable Assembly  |
| 17.   | 11-533512-000 | External Spirol Retaining Ring  |
| 18.   | 12-100170-017 | Washer  |
| 19.   | 12-350166-000 | Shaft (4-13/16"), for machines 71,489 and up                                |
|       | 12-350035-000 | Shaft (4-9/16"), for machines prior to 71,489                               |
| 20.   | 11-461000-000 | Needle Roller Bearing   |
| 21.   | 12-350009-000 | Bearing Stud  |
| 22.   | 11-490001-000 | Ball Bearing  |
| 23.   | 12-862581-000 | Deck Lift Shaft Assembly  |
| 24.   | 12-350032-000 | Pulley Shaft  |
| 25.   | 11-003182-000 | Hex Socket Cap Screw  |
| 26.   | 11-190010-001 | Flat Washer (1/4)   |
| 27.   | 12-200022-000 | Scissor Spring  |
| 28.   | 11-345522-000 | Roll Pin - (.375 x 2-1/2")  |
| 29.   | N.A.          | Button Head Socket Cap Screw, for machines prior to S/N 6140-<br>See Note 1 |
| 30.   | 11-007198-001 | Flat Head Socket Cap Screw (1/4-20 x 3-1/2")                                |
| 31.   | 12-200896-000 | Finishing Washer  |
| 32.   | 11-007200-001 | Flat Head Socket Cap Screw (1/4-20 x 4")                                    |
| 33.   | 11-199005-001 | Internal Tooth Lockwasher (1/4)   |
| 34.   | 12-200110-000 | Stud  |
| 35.   | N.A.          | Spring Tube, See Note 2   |
|       | 12-100078-000 | Switch Actuator Pin   |
|       | 11-190010-001 | Flat Washer (1/4)   |
|       | 11-230001-001 | "X" Washer (1/8")   |
| 36.   | 12-100479-000 | Spring Tube   |
|       | 12-100483-000 | Switch Actuator Pin   |
|       | 11-190010-001 | Flat Washer (1/4)   |
|       | 11-230010-001 | "X" Washer (1/8")   |

*N.A. = No Longer Available*

**NOTE 1:** Order 1 each 11-007200-000 and 1 each 12-200896-000.

**NOTE 2:** To replace order: (1) 12-100479-000, (1) 12-100481-000,  
(1) 12-100482-000, (1) 12-100483-000, and (1) 12-100478-000

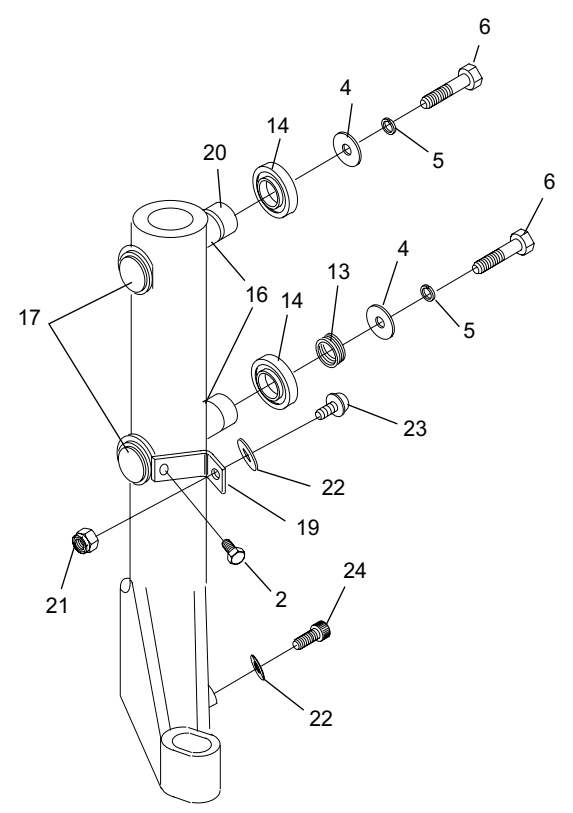
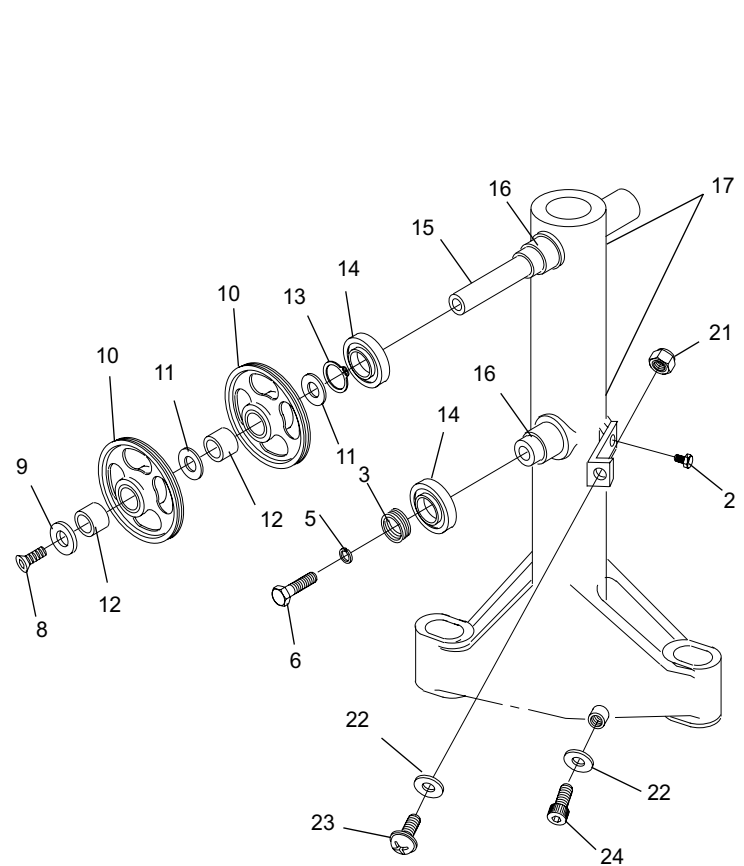
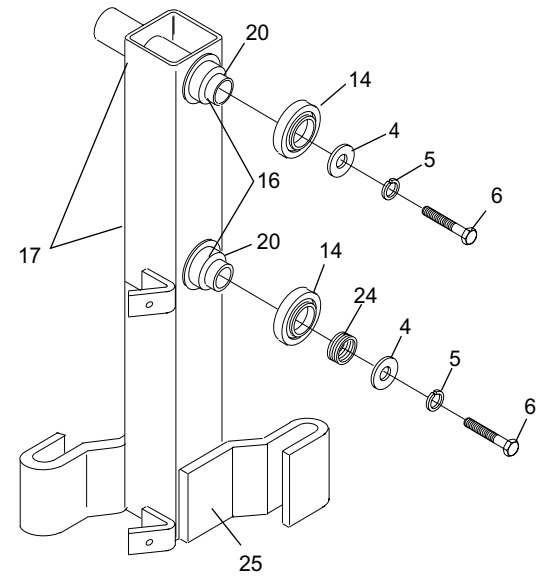
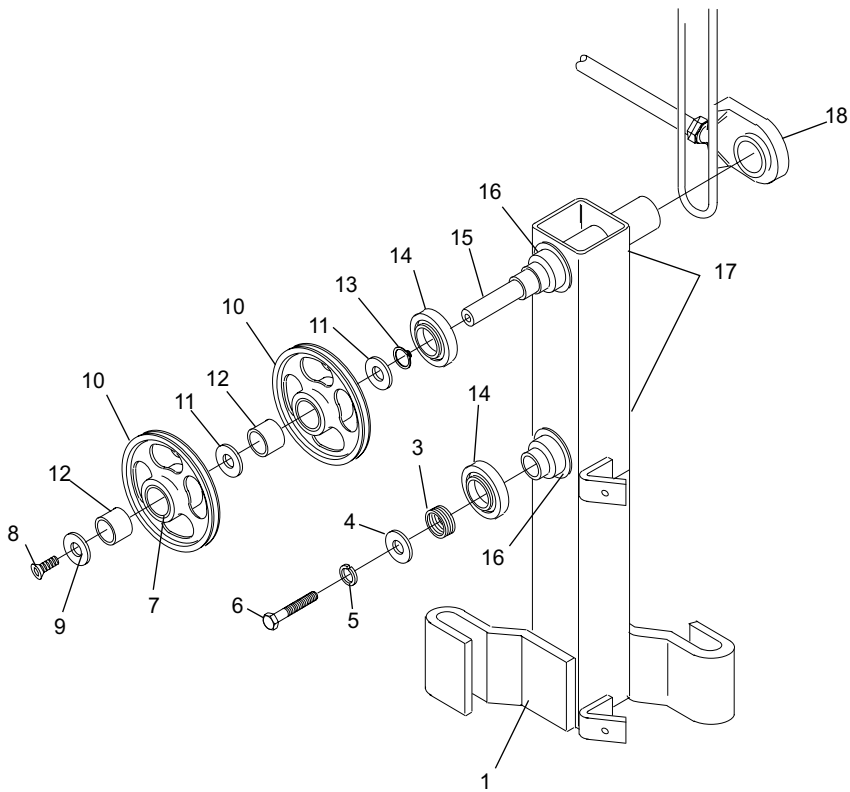
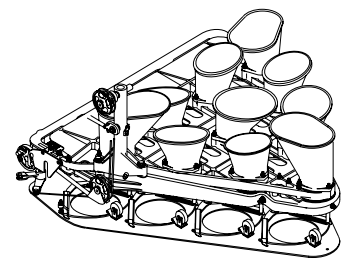
## Deck Assembly



## Deck Assembly

| <b>Index</b> | <b>Part Number</b> | <b>Description</b>                         |
|--------------|--------------------|--|
| 1.           | 12-200135-000      | L.H. Deck Post & Hardware                  |
| 2.           | 11-001180-001      | Hex Head Cap Screw (1/4 x 5/8")            |
| 3.           | 12-350122-005      | Retaining Ring                             |
| 4.           | 12-350128-000      | Washer                                     |
| 5.           | 11-195016-001      | Lockwasher (3/8)                           |
| 6.           | 11-001344-001      | Hex Head Cap Screw (3/8-16 x 1")           |
| 7.           | 11-484000-000      | Bearing                                    |
| 8.           | 11-007180-001      | Flat Head Socket Cap Screw (1/4-20 x 5/8") |
| 9.           | 12-200065-002      | Washer                                     |
| 10.          | 12-200055-000      | Pulley Assembly                            |
| 11.          | 12-200059-003      | Washer                                     |
| 12.          | 11-450202-000      | Ball Bearing                               |
| 13.          | 11-530030-001      | External Retaining Ring                    |
| 14.          | 11-431000-000      | Ball Bearing                               |
| 15.          | 12-200129-000      | Pin  |
| 16.          | 12-202188-000      | Spacer                                     |
| 17.          | 11-530033-000      | External Retaining Ring (.992 I.D.)        |
| 18.          | 12-350217-000      | Stabilizer Assembly                        |
| 19.          | 12-200124-000      | Bracket                                    |
| 20.          | 12-200128-000      | Pin  |
| 21.          | 11-170007-001      | Hex Nut Nylock (1/4-20)                    |
| 22.          | 11-190010-001      | Flat Washer (1/4)                          |
| 23.          | 11-020287-000      | Truss Head Socket Cap Screw                |
| 24.          | 11-003182-000      | Hex Socket Cap Screw                       |
| 25.          | 12-200134-000      | R.H. Deck Post & Hardware                  |

## **Deck Posts**

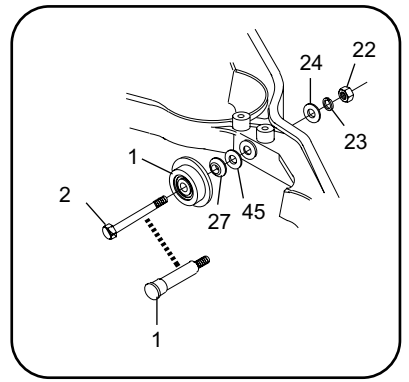
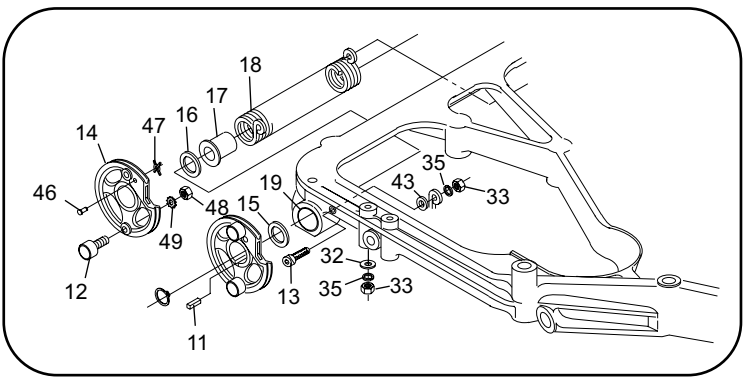
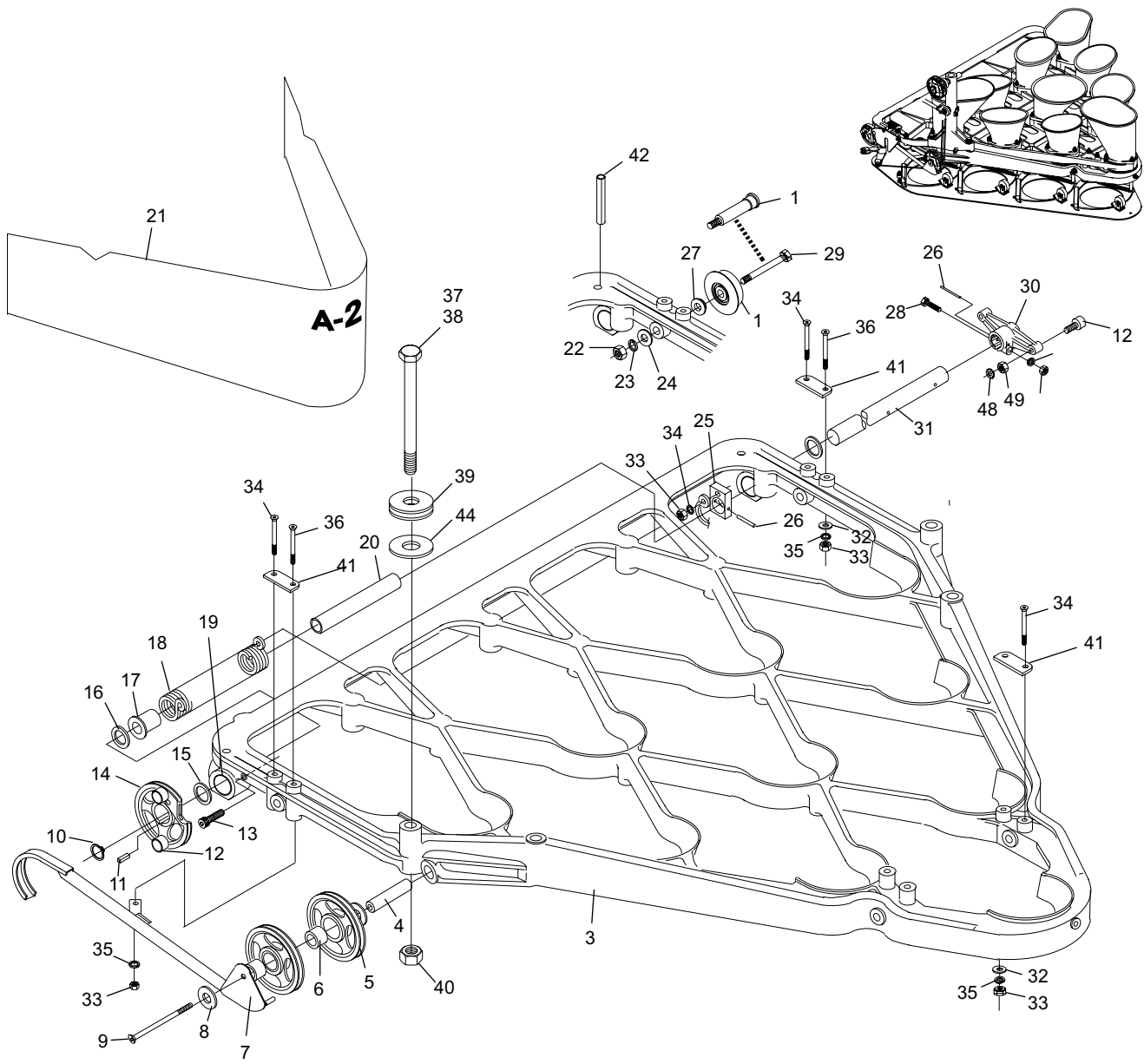


**Deck Posts**

| <b>Index</b> | <b>Part Number</b> | <b>Description</b>                                       |
|--------------|--------------------|--|
| 1.           | 12-200126-000      | Wheel Assembly (For machines S/N #18001 & up)            |
|              | 12-200133-000      | Wheel & Screw Assembly (For machines prior to S/N 18001) |
| 2.           | 11-001440-001      | Hex Head Socket Cap Screw (7/16-14 x 4")                 |
| 3.           | 12-200800-020      | Deck & Stud Assembly                                     |
| 4.           | 12-200054-000      | Stud   |
| 5.           | 12-200055-000      | Pulley Assembly  |
| 6.           | 11-450202-000      | Ball Bearing   |
| 7.           | 12-200097-000      | Cable Guide Assembly                                     |
| 8.           | 12-200065-002      | Washer   |
| 9.           | 11-007203-001      | Flat Head Socket Cap Screw (1/4-20 x 4-3/4")             |
| 10.          | 11-530028-000      | External Retaining Ring                                  |
| 11.          | 12-200084-002      | Key  |
| 12.          | 11-480001-000      | Cam Follow Needle Bearing                                |
| 13.          | 11-005190-001      | Hex Head Socket Cap Screw                                |
| 14.          | 12-200011-000      | Deck Drive Pulley  |
| 15.          | 11-422001-000      | Bearing (.891 I.D. X 1.375 O.D.)                         |
| 16.          | 12-200059-004      | Washer   |
| 17.          | 11-421022-000      | Bearing (.877 I.D. X 1.128 O.D.)                         |
| 18.          | 12-200025-000      | Torsion Spring   |
| 19.          | 11-483005-000      | Needle Roller Bearing (7/8 I.D. X 1 1/8 O.D.)            |
| 20.          | 12-200136-000      | Plastic Spring Tube                                      |
| 21.          | 12-862037-002      | Grey Deck Shield Assembly                                |
|              | 12-862037-010      | Brown Deck Shield Assembly                               |
| 22.          | 11-125104-001      | Hex Nut (3/8-16)   |
|              | N.A.               | Hex Nut, for S/N 18,001 and up                           |
| 23.          | 11-195016-001      | Lockwasher (3/8)   |
| 24.          | 11-190014-001      | Flat Washer (3/8)  |
| 25.          | 12-200053-000      | Anchor   |
| 26.          | 11-345316-000      | Roll Pin (3/16 x 1-1/2")                                 |
| 27.          | 12-200091-000      | Spacer   |
| 28.          | 11-001272-001      | Hex Head Cap Screw (5/16-18 x 2")                        |
| 29.          | 12-200127-000      | Special Hex Head Socket Cap Screw (5/8 x 3-1/16")        |
| 30.          | 12-200058-000      | Deck Ball Crank  |
| 31.          | 12-200033-000      | Shaft  |
| 32.          | 11-190010-001      | Flat Washer (1/4)  |
| 33.          | 11-125100-001      | Hex Nut (1/4-20)   |
| 34.          | 11-007195-001      | Flat Head Socket Cap Screw (1/4-20 x 2-3/4")             |
| 35.          | 11-195014-001      | Lockwasher (1/4)   |
| 36.          | 11-007197-001      | Flat Head Socket Cap Screw (1/4-20 x 3-1/4")             |
| 37.          | 11-002383-000      | Hex Head Socket Cap Screw (5/8-11 x 7")                  |
| 38.          | 11-002389-000      | Hex Head Socket Cap Screw (5/8-11 x 7-1/2)               |
| 39.          | 11-190022-001      | Flat Washer (5/8)  |
| 40.          | 11-170019-001      | Self-Locking Nut (5/8-11)                                |
| 41.          | 12-200090-000      | Plate  |
| 42.          | 11-345522-000      | Roll Pin - (.375 x 2-1/2")                               |
| 43.          | N.A.               | Washer   |
| 44.          | N.A.               | Shim .015 as Required                                    |
| 45.          | 12-200111-000      | Deck Shim  |
| 46.          | N.A.               | X-Washer Pin - .250 x 1/2"                               |
| 47.          | 11-230001-001      | X-Washer (1/8)   |
| 48.          | 11-125101-001      | Hex Nut (1/4-28)   |
| 49.          | 11-198005-001      | External Tooth Lockwasher (1/4)                          |

N.A. = No Longer Available

## Stationary Deck



**Stationary Deck**