

Section K

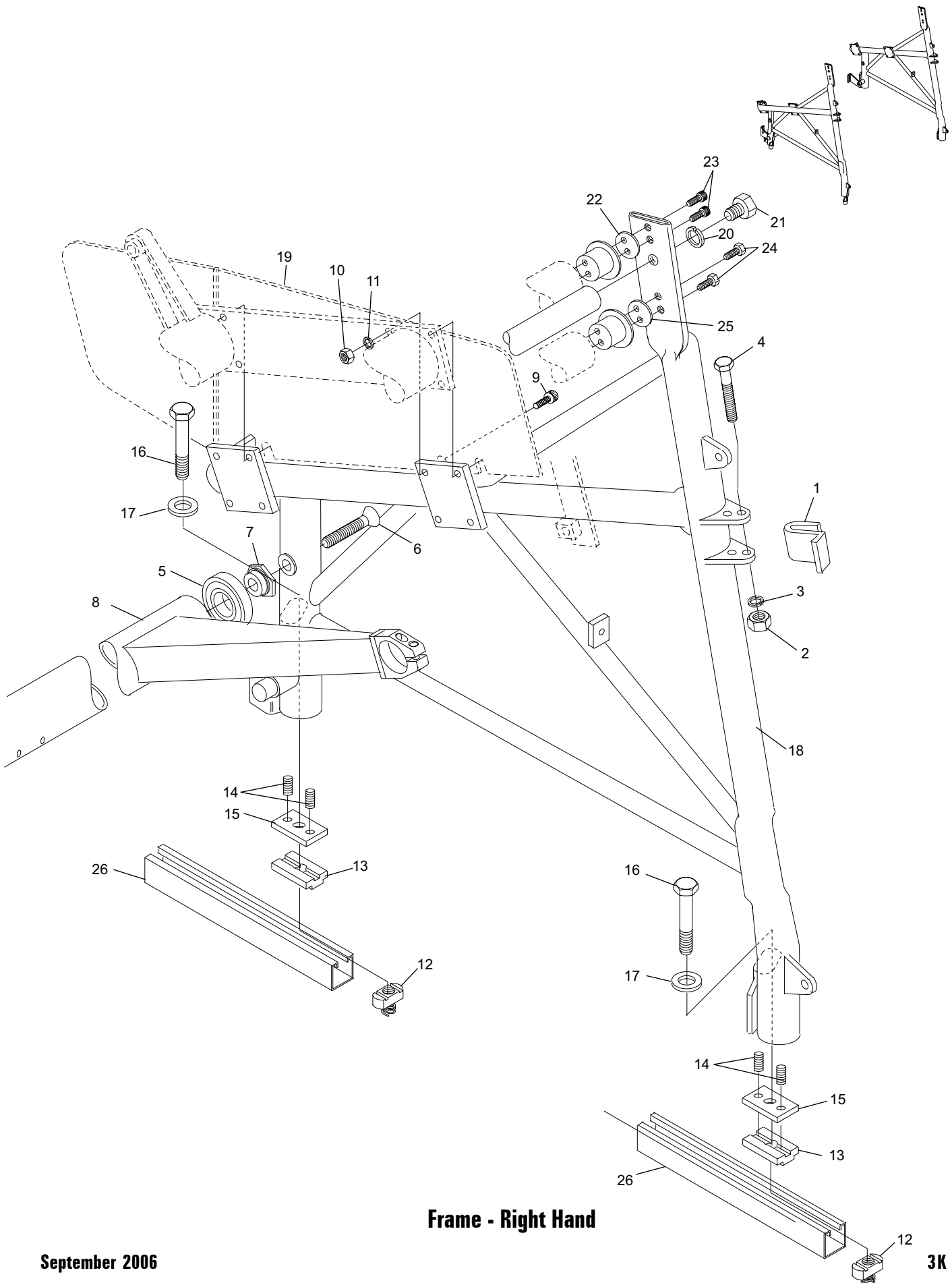
Frame

Index

No.	Part No.	Description
1.	12-350022-000	Stop
	12-352022-000	Rake Stop
2.	11-125108-001	Hex Nut (1/2-13)
3.	11-195018-001	Lockwasher (1/2)
4.	11-002252-000	Hex Head Cap Screw (1/2-13 x 3")
5.	11-490001-000	Ball Bearing
6.	11-007676-001	Flat Head Socket Cap Screw (5/8-11 x 3")
7.	12-350009-000	Bearing Stud
8.	12-862581-000	Deck Lift Shaft Assembly
9.	11-005348-001	Hex Head Socket Cap Screw (3/8-16 x 1-1/2")
10.	11-125011-001	Hex Nut (3/8-16)
11.	11-195016-001	Lockwasher (3/8)
12.	11-180006-001	Clamping Nut & Spring (1/2-13)
13.	12-350001-000	Strip
14.	11-103253-001	Headless Set Screw (3/8-16 x 1-1/4")
15.	12-350147-000	Plate
16.	11-001518-001	Hex Head Cap Screw (1/2-13 x 3-1/2")
17.	11-190018-001	Flat Washer (1/2)
18.	N.A.	R.H. Frame Assembly
19.	12-350116-000	R.H. Foot Guard
20.	11-195020-001	Lockwasher (5/8)
21.	11-002365-001	Hex Head Cap Screw (5/8-11 x 1-1/4")
22.	12-350118-004	Shim (.030)
	N.A.	Shim (.060)
23.	11-005264-001	Hex Head Socket Cap Screw (5/16-18 x 1")
24.	11-002124-001	Hex Head Socket Cap Screw (3/8-16 x 1")
25.	12-350118-002	Shim (.030)
	12-350118-003	Shim (.060)
26.	12-350131-000	Channel

N.A. = No Longer Available

Frame - Right Hand



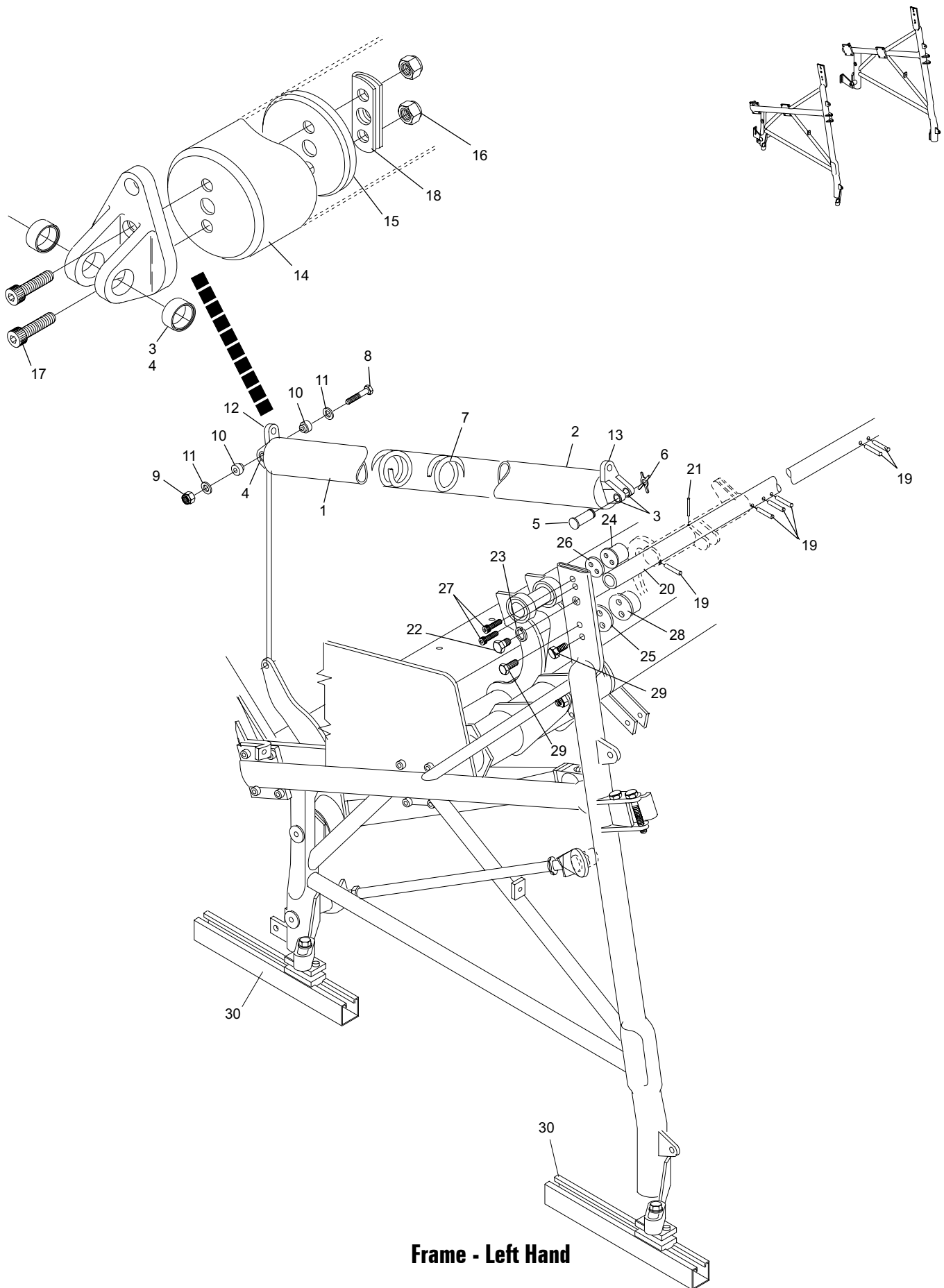
Frame - Right Hand

Index

No.	Part No.	Description
1.	N.A.	Spring Guide Tube Cap Assembly, outside
2.	N.A.	Spring Guide Tube Cap Assembly, inside
3.	11-420009-000	Sleve Oilite Bearing (.5015 I.D. X .628 O.D.)
4.	11-420019-000	Sleve Oilite Bearing (.627 I.D. X .753 O.D.)
5.	12-350023-002	Pin
6.	11-230005-001	"X" Washer (1/4)
7.	12-350126-000	Compression Spring
8.	11-001512-000	Hex Head Socket Cap Screw (1/2-13 x 2")
	11-001352-001	Hex Head Socket Cap Screw (3/8-16 x 2")
	11-001353-001	Hex Head Socket Cap Screw (3/8-16 x 2-1/4")
9.	11-170114-000	Flexlock Thin Hex Nut (1/2-13)
	11-170011-001	Hex Nut Nylock (3/8-16)
10.	12-350123-000	Bushing (9/16")
	12-350120-000	Bushing, for machines prior to 14501
	12-350165-000	Bushing (3/4")
11.	11-190014-001	Flat Washer (3/8)
12.	12-350163-002	Spring Guide Tube Cap
13.	12-350163-003	Spring Guide Tube Cap
14.	12-350170-000	Outside Spring Guide Tube
	12-350171-000	Inside Spring Guide Tube
15.	12-350164-003	Washer
	12-350164-002	Washer
16.	11-170010-001	Hex Nut Nylock (5/16-24)
17.	11-005304-001	Hex Head Socket Cap Screw (5/16-24 x 1")
18.	12-350167-000	Nut Retainer
19.	11-345418-001	Roll Pin (1/4 x 1-3/4")
20.	N.A.	Cross Brace
21.	11-345420-001	Roll Pin - (1/4 x 2")
22.	11-002365-001	Hex Head Cap Screw (5/8-11 x 1-1/4")
23.	11-195020-001	Lockwasher (5/8)
24.	12-350010-000	Bearing Stud
25.	12-350118-002	Shim (.030)
	12-350118-003	Shim (.060)
26.	12-350118-004	Shim (.030)
	12-350118-005	Shim (.060)
27.	11-005264-001	Hex Head Socket Cap Screw (5/16-18 x 1")
28.	12-350011-000	Bearing Stud
29.	11-002124-001	Hex Head Socket Cap Screw (3/8-16 x 1")
30.	12-350131-000	Channel

N.A. = No Longer Available

Frame - Left Hand



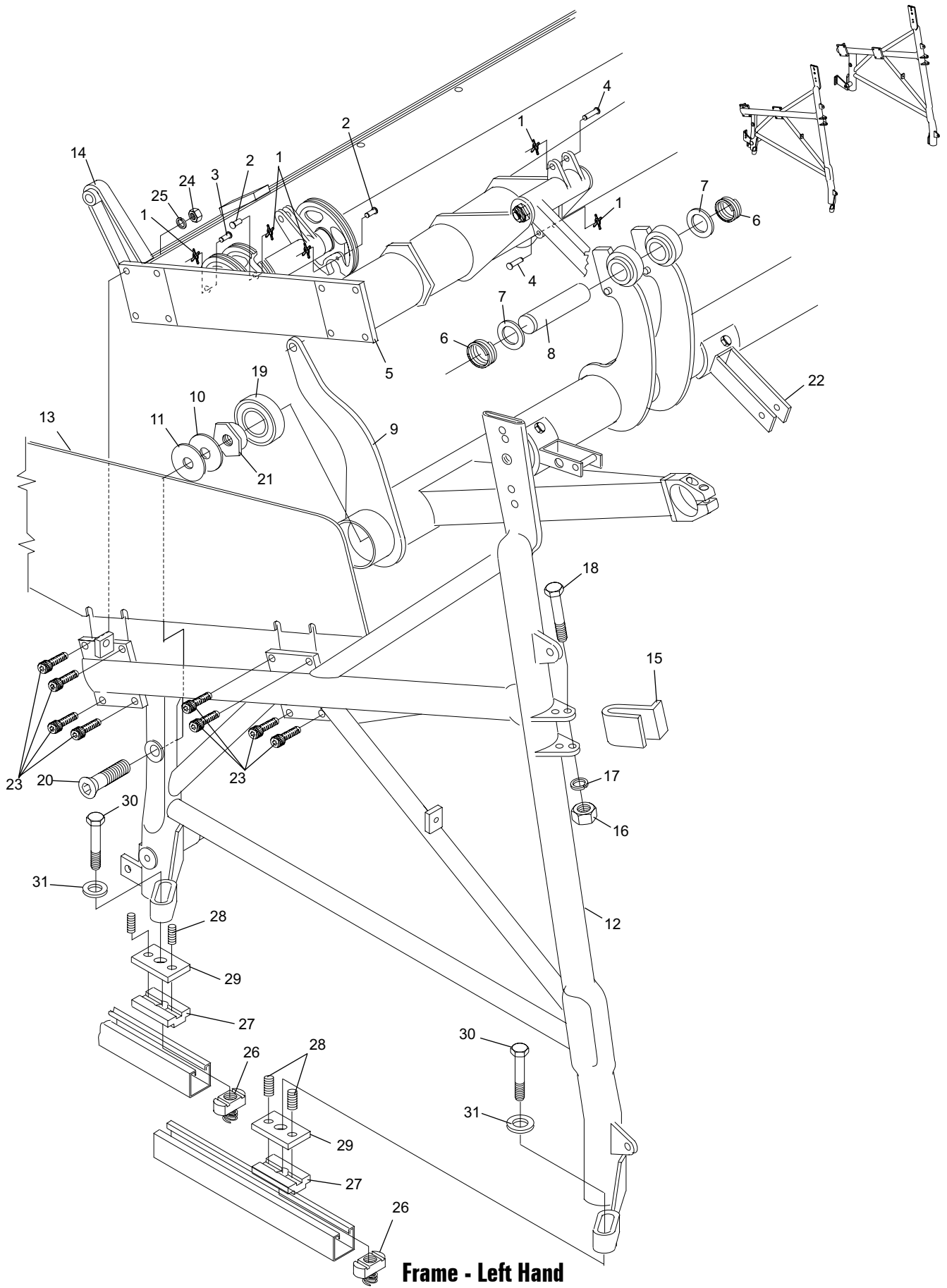
Frame - Left Hand

Index

No.	Part No.	Description
1.	11-230001-001	X-Washer (1/8)
2.	12-100166-009	X-Washer Pin
3.	12-100166-011	X-Washer Pin
4.	12-100166-015	X-Washer Pin
5.	N.A.	Brace Assembly
6.	11-533512-000	External Spirol Retaining Ring
7.	12-100170-017	Washer
8.	12-350035-000	Shaft (4-9/16")
	12-350166-000	Shaft (4-15/16")
9.	12-862581-000	Deck Lift Shaft Assembly
10.	12-350111-002	Shim (.010)
11.	12-350111-003	Shim (.020)
12.	N.A.	L.H. Frame Assembly
13.	12-350117-000	L.H. Foot Guard
14.	N.A.	Bracket Assembly and Tubing
15.	12-350022-000	Stop
	12-352022-000	Rake Stop
16.	11-125108-001	Hex Nut (1/2-13)
17.	11-195018-001	Lockwasher (1/2)
18.	11-002252-000	Hex Head Cap Screw (1/2-13 x 3")
19.	11-490001-000	Ball Bearing
20.	11-007676-001	Flat Head Socket Cap Screw (5/8-11 x 3")
21.	12-350009-000	Bearing Stud
22.	12-350178-000	Bracket
23.	11-005348-001	Hex Head Socket Cap Screw (3/8-16 x 1-1/2")
24.	11-125011-001	Hex Nut (3/8-16)
25.	11-195016-001	Lockwasher (3/8)
26.	11-180006-001	Clamping Nut & Spring (1/2-13)
27.	12-350001-000	Strip
28.	11-103253-001	Headless Set Screw (3/8-16 x 1-1/4")
29.	12-350147-000	Plate
30.	11-001518-001	Hex Head Cap Screw (1/2-13 x 3-1/2")
31.	11-190018-001	Flat Washer (1/2)

N.A. = No Longer Available

Frame - Left Hand

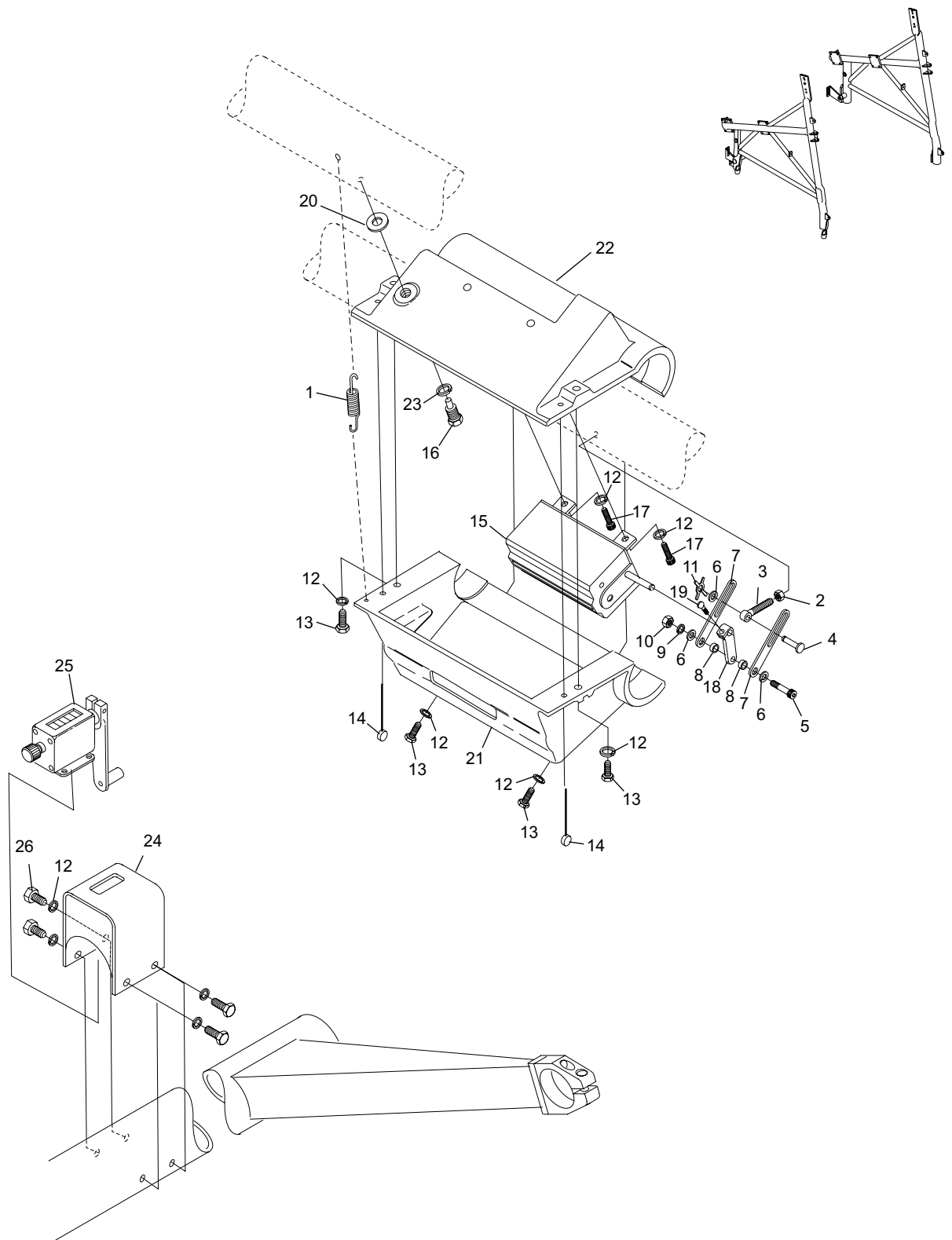


Frame - Left Hand

Index

No.	Part No.	Description
1.	12-100049-000	Spring
2.	11-125007-001	Hex Nut (1/4-20)
3.	12-350184-000	Pivot
4.	12-100166-004	X-Washer Pin
5.	11-005093-001	Hex Head Socket Cap Screw (10-24 x 7/8")
6.	11-190006-001	Flat Washer - SAE (#10)
7.	N.A.	Link
8.	N.A.	Spacer
9.	11-195010-001	Lockwasher (#10)
10.	11-125004-001	Hex Nut (#10-24)
11.	11-230000-001	X-Washer (3/32)
12.	11-195014-001	Lockwasher (1/4)
13.	N.A.	Cap Screw
14.	N.A.	Locking Seal
15.	N.A.	Counter Assembly
16.	12-350182-000	Bolt
17.	11-005182-001	Hex Head Socket Cap Screw (1/4-20 x 3/4")
18.	N.A.	Arm
19.	N.A.	Screw, Fillister Head
20.	N.A.	Washer
21.	N.A.	Cover
22.	N.A.	Counter Box
23.	11-195017-001	Lockwasher (7/16)
24.	N.A.	Counter & Box Assembly
25.	N.A.	Counter & Lever Assembly
26.	N.A.	Cap Screw

N.A. = No Longer Available



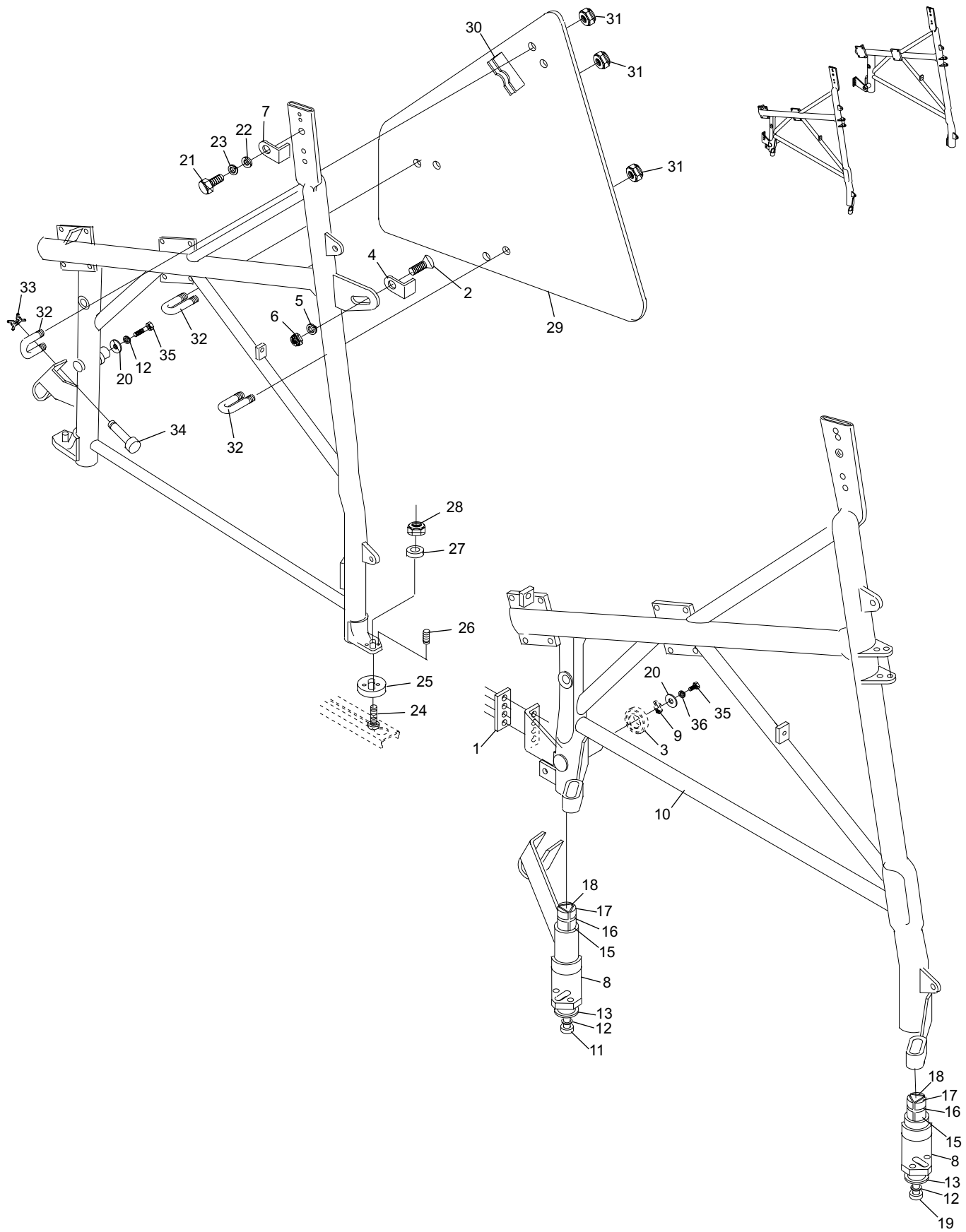
Frame Counter

Index

No.	Part No.	Description
1.	N.A.	Bracket
2.	11-007712-001	Flat Head Socket Cap Screw (5/8-18 x 2")
3.	11-431000-000	Ball Bearing
4.	12-352022-000	Rake Stop
5.	12-100170-003	Washer
6.	11-170020-001	Self-Locking Hex Nut (5/8-18)
7.	12-252362-000	Rake Lowering Stop
8.	N.A.	L.H. Front Foot Assembly
9.	12-350122-005	Retaining Ring
10.	N.A.	Welded L.H. Frame, complete assembly, for Model A
	N.A.	Welded L.H. Frame, complete assembly, for Model A-2, new or converted
11.	10-002003-000	Hex Head Cap Screw (3/8-16 x 7")
12.	11-195016-001	Lockwasher (3/8)
13.	12-352303-000	Cap
14.	12-352319-000	L.H. Rear Foot Assembly
15.	11-190518-001	Plain Washer (1)
16.	11-625537-000	O-Ring
17.	12-352308-000	Wedge
18.	N.A.	Wedge Nut
19.	10-002004-000	Hex Head Cap Screw (3/8-16 x 4")
20.	12-350128-000	Washer
21.	11-002365-001	Hex Head Cap Screw (5/8-11 x 1-1/4")
22.	11-190022-001	Flat Washer (5/8)
23.	11-195020-001	Lockwasher (5/8)
24.	11-071587-001	Heat Treated Special Bolt (1/2-13 x 2")
25.	12-752020-000	Washer
26.	11-103295-001	Set Screw (7/16-14 x 1-1/2")
27.	11-190520-001	Plain Washer
28.	11-125108-001	Hex Nut (1/2-13)
29.	12-752997-000	Guard
30.	12-750999-000	Bracket
31.	11-170009-001	Hex Nut Nylock (5/16-18)
32.	12-750998-000	U-Bolt
33.	11-230001-001	X-Washer (1/8)
34.	12-100166-032	X-Washer Pin
35.	11-001344-001	Hex Head Cap Screw (3/8-16 x 1")

N.A.= No Longer Available

Frame - Left Hand



Frame - Left Hand

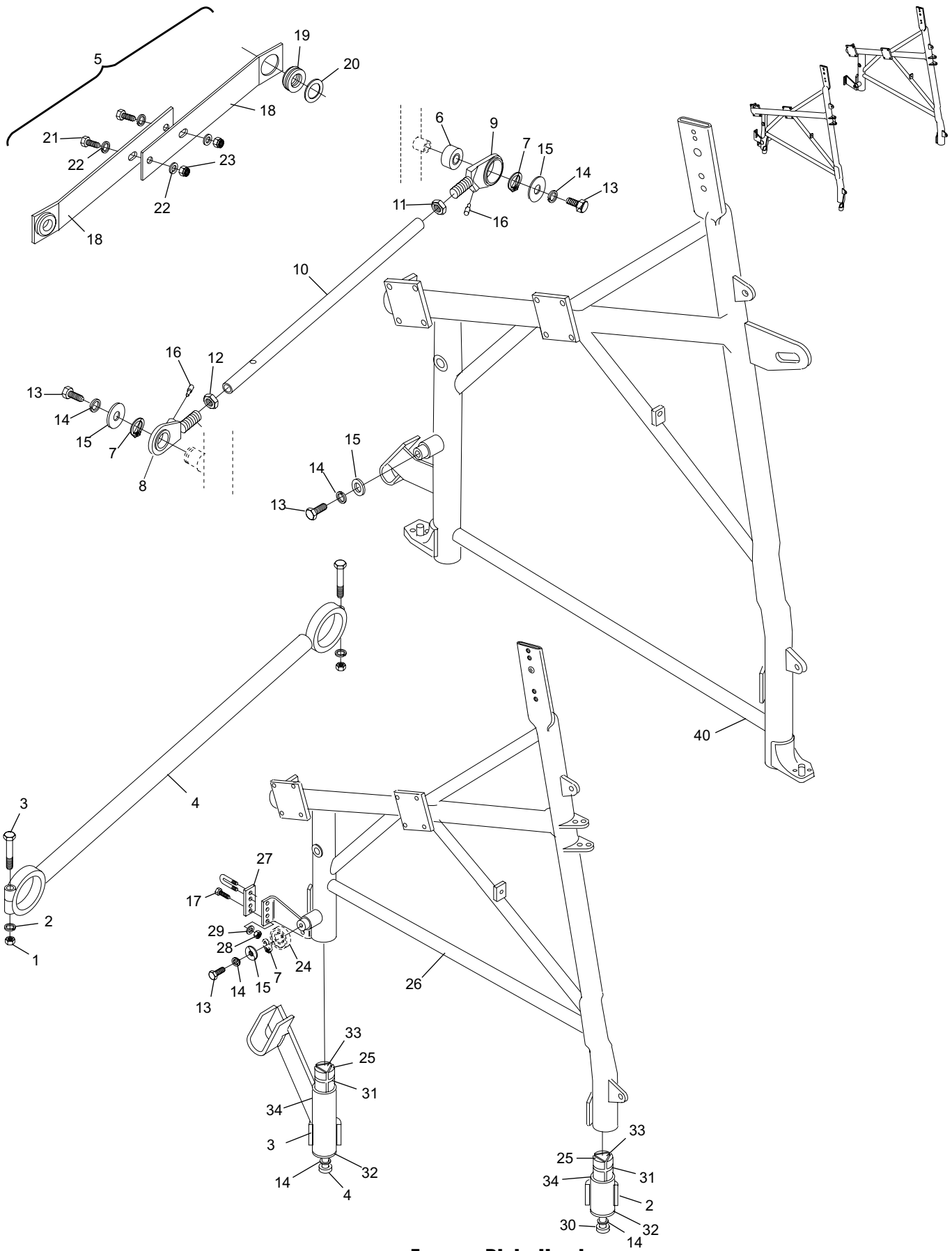
Index

No.	Part No.	Description
1.	11-125100-001	Hex Nut
2.	11-195014-000	Lockwasher
3.	11-001192-000	Hex Head Bolt
4.	N.A.	Deck Lift Rod Complete, order 12-350217-000 as replacement
5.	12-350217-000	Stabilizer Assembly, See Note
6.	N.A.	Spacer
7.	12-350122-005	Retaining Ring
8.	12-350122-004	L.H. Rod End
9.	12-350122-003	R.H. Rod End
10.	12-350122-002	Rod
11.	11-125211-000	Hex Jam Nut (9/16-18)
12.	11-125261-000	Hex Jam Nut (9/16-18)
13.	11-001344-001	Hex Head Cap Screw (3/8-16 x 1")
14.	11-195016-001	Lockwasher (3/8)
15.	12-350128-000	Washer
16.	N.A.	Grease Fitting
17.	11-001264-001	Hex Head Cap Screw (5/16-18 x 1")
18.	N.A.	Deck Lift Plate
19.	10-427001-000	Bearing 63/64 X 31/64
20.	10-427002-000	Snap Ring 47MM
21.	11-001506-000	Hex Head Cap Screw (1/2-13 x 1-1/4")
22.	11-190018-001	Flat washer (1/2)
23.	11-170015-001	Hex Nut Nylock (1/2-13)
24.	11-431000-000	Ball Bearing
25.	12-352308-000	Wedge, 3 required
26.	N.A.	R.H. Welded Frame, complete assembly, for Model A
27.	N.A.	Bracket
28.	11-125102-000	Hex Nut (5/16-18)
29.	11-195015-001	Lockwasher (5/16)
30.	10-002004-000	Hex Head Cap Screw (3/8-16 x 4")
31.	11-625537-000	O-Ring
32.	12-352303-000	Cap
33.	N.A.	Wedge Nut
34.	11-190518-001	Plain Washer (1)

N.A. = No Longer Available

*NOTE: When ordering complete Deck Lift Stabilizer *12-350217-000) for machines prior to S/N 12006.*

Frame - Right Hand



Frame - Right Hand

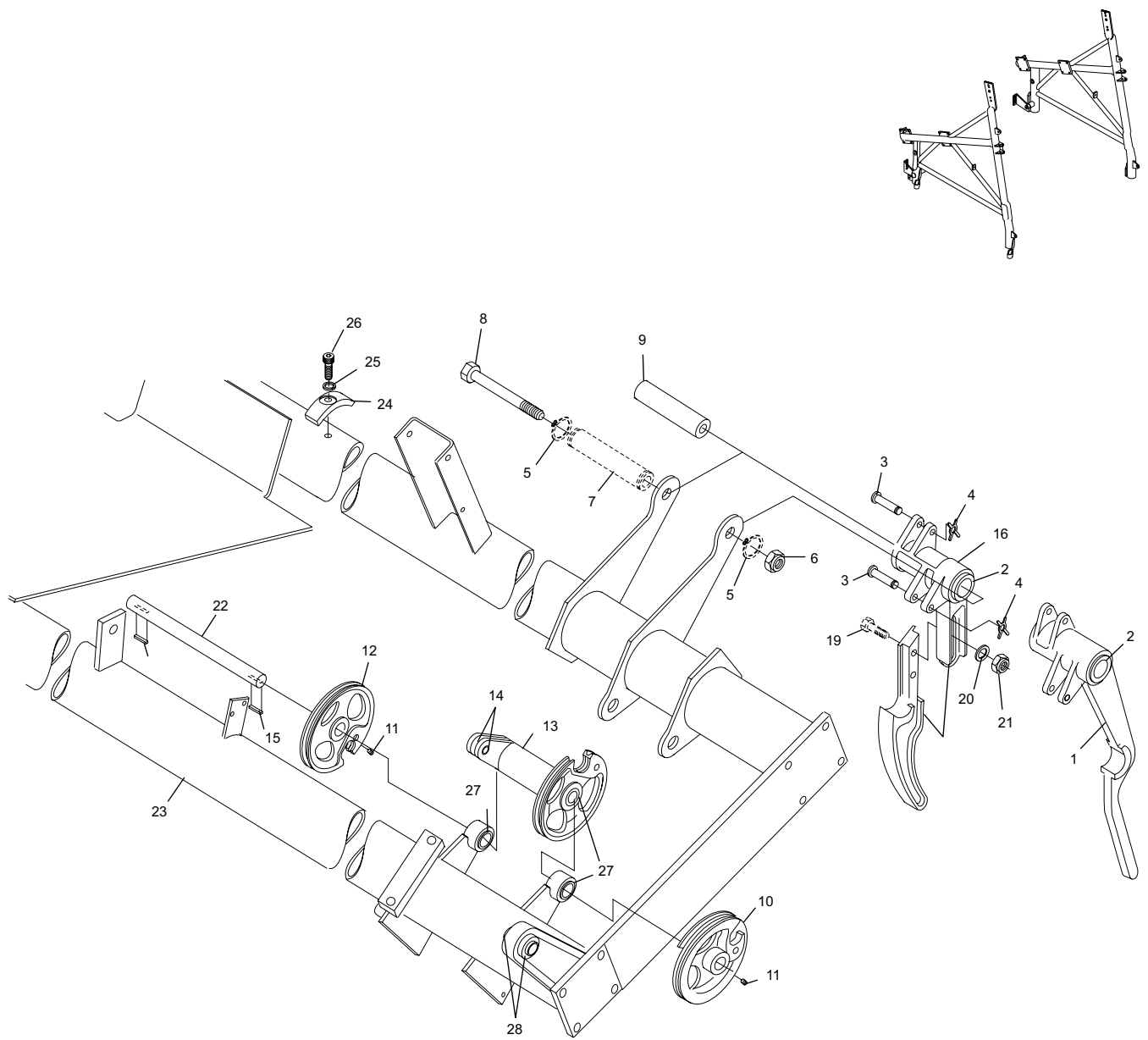
Index

No.	Part No.	Description
1.	N.A.	Deck Hook Assembly - See Note 1
2.	11-421107-000	Flanged Bronze Bearing
3.	12-100166-015	X-Washer Pin
4.	11-230001-001	X-Washer (1/8)
5.	11-530028-000	External Retaining Ring
6.	11-170015-001	Hex Nut Nylock (1/2-13)
7.	12-100168-005	X-Washer Pin
8.	11-002260-001	Hex Head Socket Cap Screw (1/2-13 x 5-1/2")
9.	12-350129-000	Spacer
10.	12-350029-000	Moving Deck Pulley
11.	11-105582-001	Headless Set Screw (10-32 x 3/8)
12.	12-350030-000	Moving Deck Pulley
13.	12-350033-000	Scissor Pulley Assembly
14.	11-420038-000	Bearing (.3135 I.D. X .4395 O.D.)
15.	12-100187-009	Square Key
16.	12-350804-000	Deck Hook Hub
17.	12-350803-000	Deck Hook
18.	12-350802-000	Deck Hook Assembly
19.	11-001344-001	Hex Head Cap Screw (3/8-16 x 1")
20.	11-190014-001	Flat Washer (3/8)
21.	11-170110-001	Hex Nut Flexlock (3/8-16)
22.	12-350032-000	Pulley Shaft
23.	N.A.	Brace, complete assembly
24.	N.A.	Bracket
25.	11-195014-001	Lockwasher (1/4)
26.	11-005180-001	Hex Head Socket Cap Screw (1/4-20 x 5/8")
27.	11-483002-000	Needle Roller Bearing
28.	12-250248-000	Sleeve Oilite Bearing

N.A. = No Longer Available

NOTE: The single piece hooks are no longer available. Order 12-350802-000 (2 piece-adjustable). When replacing this type deck hook assembly on machines prior to S/N 1601, it is also necessary to replace Deck Post (L.H.) 12-200135-000.

Frame

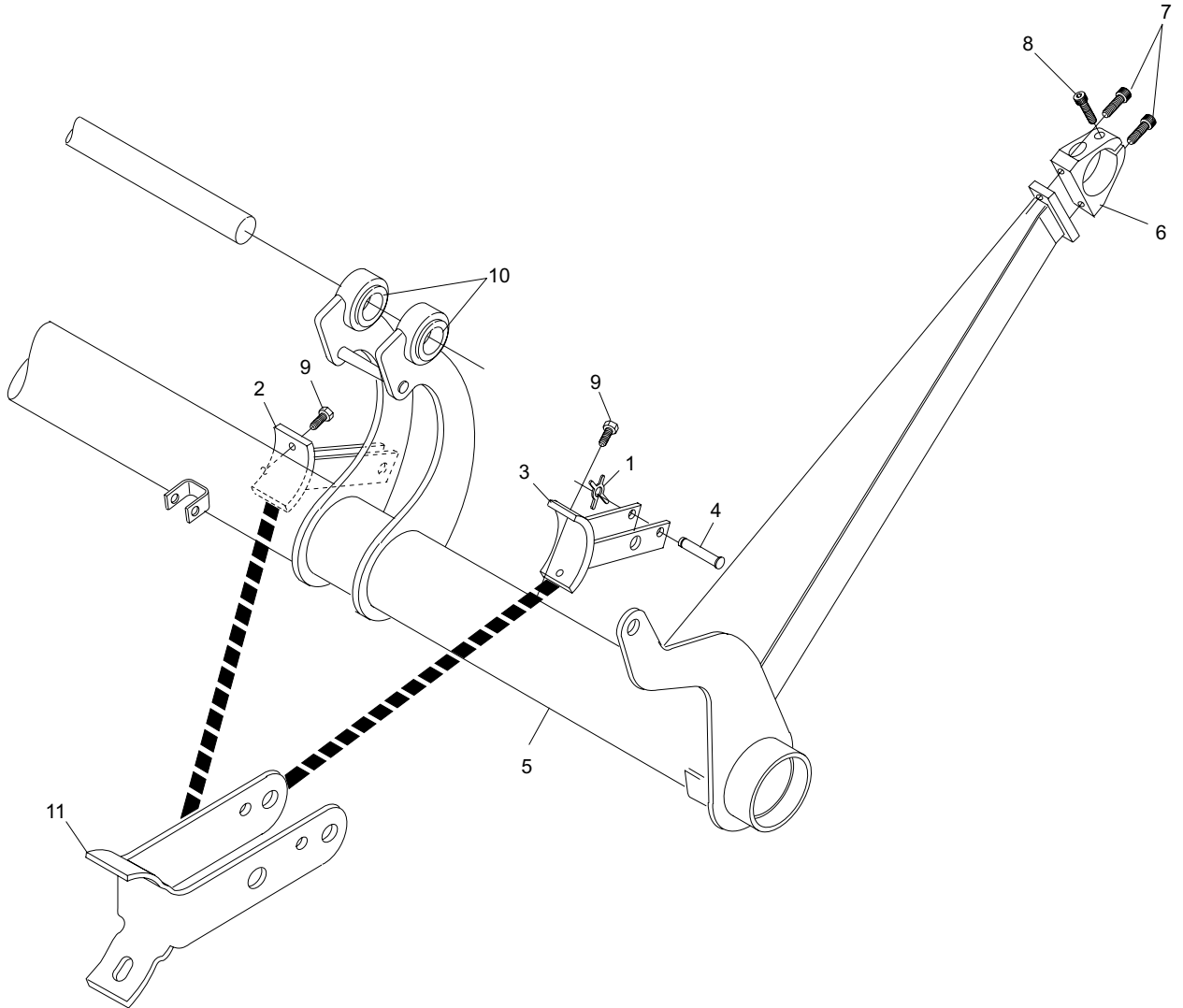
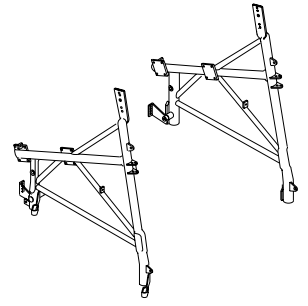


Frame

Index

No.	Part No.	Description
1.	11-230001-001	X-Washer (1/8)
2.	N.A.	Bracket, restricted drop link (use index #11 - 12-35178-000 Bracket)
3.	N.A.	Bracket, pivot block (use index #11 - 12-350178-000 Bracket)
4.	12-100166-016	X-Washer Pin
5.	12-862581-000	Deck Lift Shaft Assembly
6.	12-350109-000	Deck Lift Arm End
7.	11-005264-001	Hex Head Socket Cap Screw (5/16-18 x 1")
8.	11-005184-001	Socket Head Cap Screw (1/4-20 x 1")
9.	11-015285-001	Hex Head Socket Cap Screw & External Tooth Lockwasher
10.	11-461000-000	Needle Roller Bearing
11.	12-350178-000	Bracket

N.A. = No Longer Available



Frame