

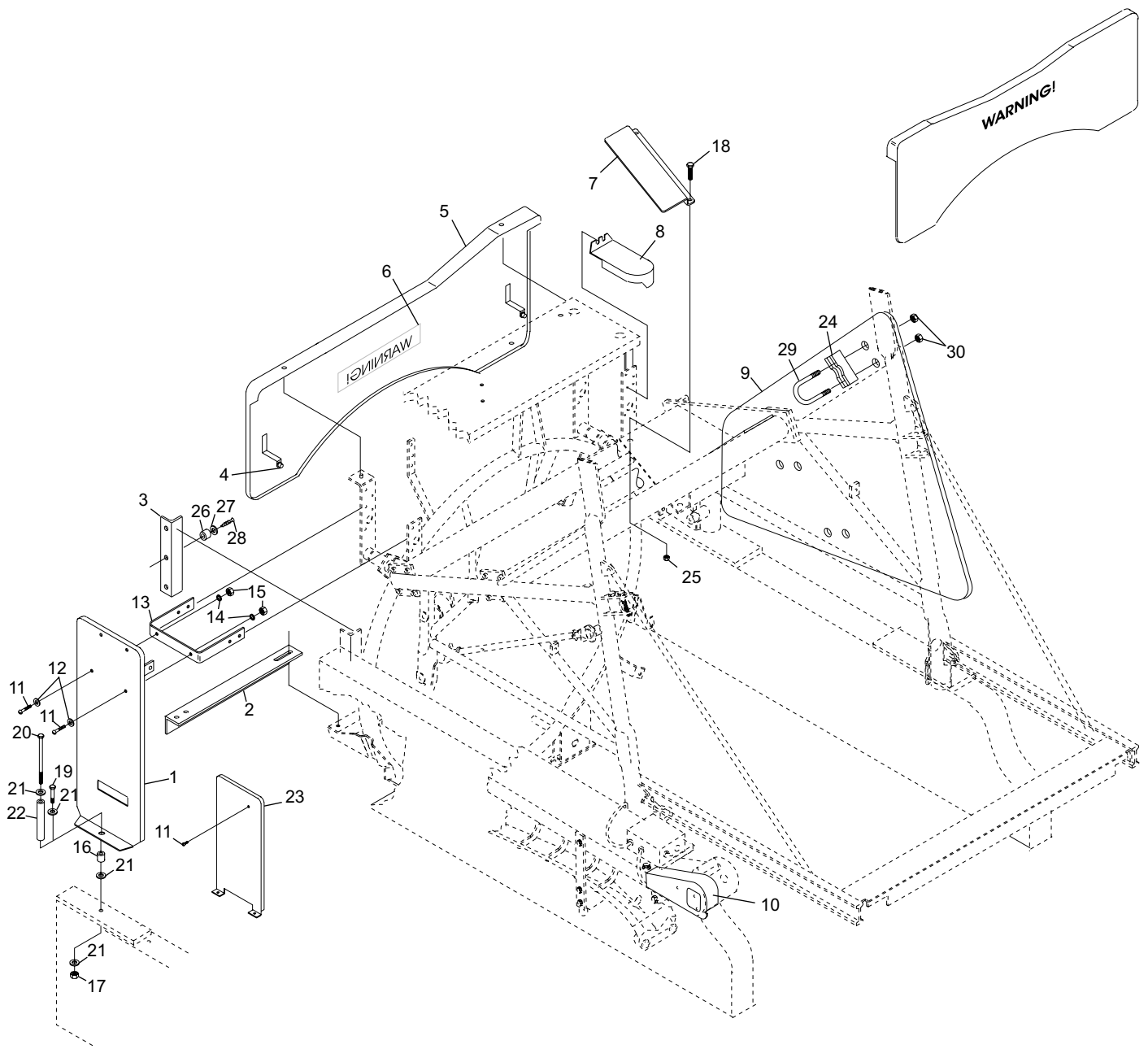
Section P

Guards

Index

No.	Part No.	Description
1.	12-752523-000	Small Guard
2.	12-400216-000	Ball Wheel Guard Assembly
	12-402039-000	Step Bar
	12-862155-000	Step Bar & Hardware
3.	12-400249-000	Pinch Guard
4.	12-400136-000	Plug
5.	12-400046-000	Rear Guard Assembly
6.	12-700206-000	Warning Label
7.	12-750567-000	Foot Guard
8.	12-400324-000	Shield Assembly
9.	12-750997-000	Foot Guard Extrusion
	12-860200-000	Foot Guard Package
10.	12-502338-000	Belt Shield
11.	11-017287-001	Round Head Cap Screw with Washer
12.	11-190010-001	Flat Washer (1/4)
13.	12-700804-000	"U" Bracket
14.	11-195014-001	Lockwasher (1/4)
15.	N.A.	Hex nut
16.	12-400018-006	Spacer
17.	11-125108-001	Hex Nut (1/2-13)
18.	11-001344-001	Hex Head Cap Screw (3/8-16 x 1")
19.	11-001517-001	Hex Head Socket Cap Screw (1/2-13 x 3-1/4")
20.	11-001531-001	Hex Head Socket Cap Screw (1/2-13 x 10-1/2")
21.	11-190521-001	Plain Washer
22.	12-400018-024	Spacer
23.	12-750523-000	Small Guard Assembly
24.	12-750999-000	Bracket
25.	11-170011-001	Hex Nut Nylock (3/8-16)
26.	N.A.	Spacer
27.	11-190006-001	Flat Washer - SAE (#10)
28.	11-042095-001	Round Head Slotted Wood Screw (#10 x 1")
29.	12-750998-000	U-Bolt
30.	11-170009-001	Hex Nut Nylock (5/16-18)

N.A. = No Longer Available



Pinsetter Guards

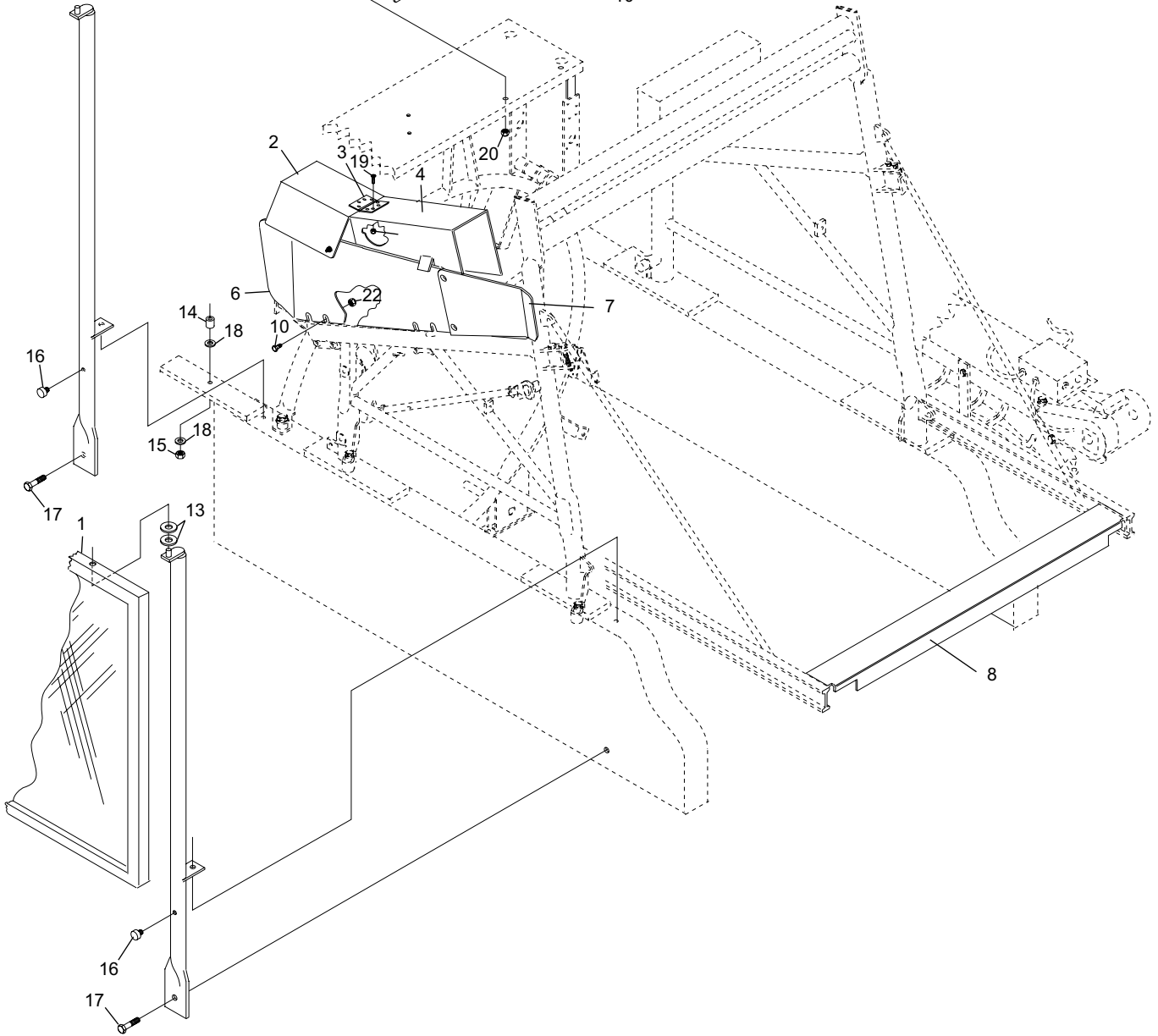
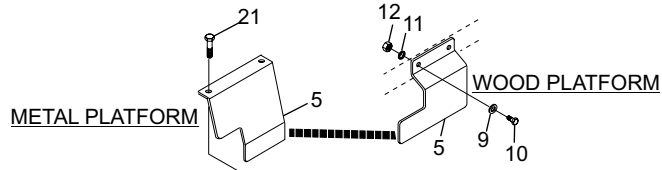
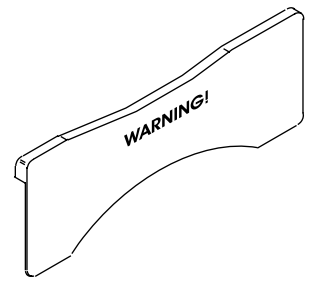
Index

No.	Part No.	Description
1.	12-700822-000	Large Guard Assembly
2.	12-750570-000	Rear Rake Crank Guard, See Note
3.	12-750575-000	Hinge
4.	12-750571-000	Rake Crank Guard
5.	12-402074-000	Motor Pulley Guard
	12-752574-000	Motor Pulley Guard
6.	12-350116-000	R.H. Foot Guard
	12-350517-000	L.H. Foot Guard
7.	12-750579-000	Foot Guard Extension
8.	12-750799-000	Pin Light support
9.	11-190010-001	Flat Washer (1/4)
10.	11-001180-001	Hex Head Cap Screw (1/4 x 5/8")
11.	11-195014-001	Lockwasher (1/4)
12.	11-125100-001	Hex Nut (1/4-20)
13.	12-750526-000	Support
14.	12-400018-006	Spacer (for factory built A-2 pinsetters)
	N.A.	Spacer (for field converted pinsetters)
15.	11-125108-001	Hex Nut (1/2-13)
16.	11-650002-000	Bumper
17.	11-070062-001	Lag Screw
18.	11-190521-001	Plain Washer
19.	11-007180-001	Flat Head Socket Cap Screw (1/4-20 x 5/8")
20.	11-170007-001	Hex Nut Nylock (1/4-20)
21.	11-072021-001	Step Bolt

N.A.= No Longer Available

NOTE: 12-802013-010 Guard Package includes:

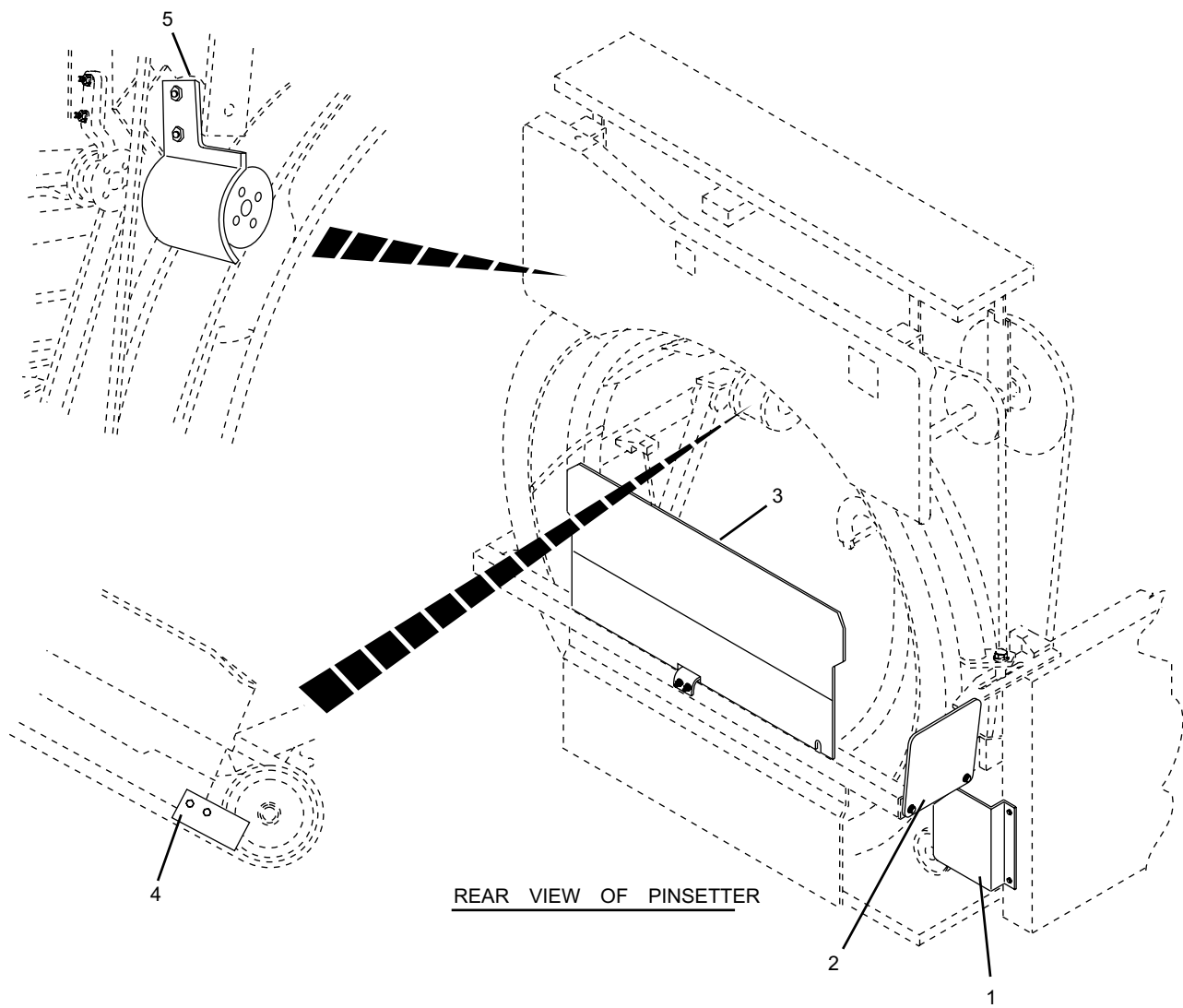
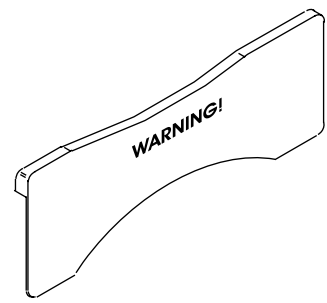
*12-750567-000 Foot Guard
12-750570-000 Rake Crank Guard
12-750574-000 Rake Crank Guard, Front
12-750579-000 Foot Guard Extension
12-750575-000 Hinge
12-862044-010 Hardware Bag*



Pinsetter Guards

Index

No.	Part No.	Description
1.	12-302003-000	Pit Conveyor Drive Guard
2.	12-402155-000	Pin Wheel Guard
3.	12-402405-000	Rear Pin Deflector
4.	12-450081-000	Cross Conveyor Belt Guard
5.	12-402156-000	Pin Wheel Guide Guard



REAR VIEW OF PINSETTER

Pinsetter Guards