

**Section E**

**Pit Cushion**

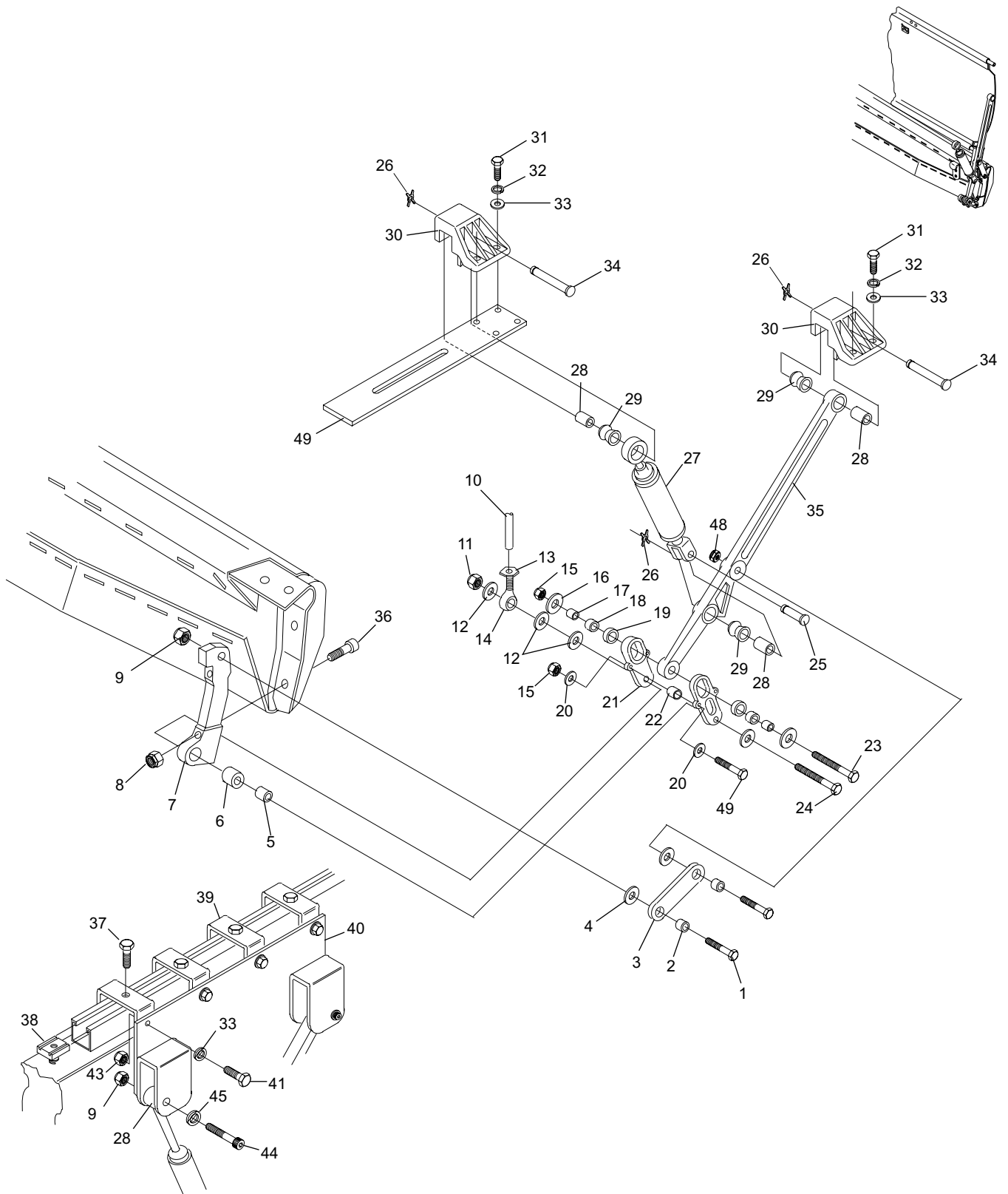
**Index**

<b>No.</b>	<b>Part No.</b>	<b>Description</b>
1.	12-252352-000	Cushion Arm Bolt
2.	12-252350-000	Bushing
3.	12-252069-000	Link
4.	12-252360-000	D-Washer
5.	12-100185-036	Spacer
6.	10-424001-000	Sleeve Oilite Bearing
7.	12-252341-002	Cushion Mount & Bracket Assembly
8.	11-170012-001	Hex Nut Nylock (3/8-24)
9.	11-170016-001	Hex Nut Nylock (1/2-20)
10.	12-252364-002	Tube
11.	11-121523-000	Hex Nut w. Nylon Cap
12.	11-190520-001	Plain Washer
13.	11-125259-001	Hex Jam Nut (1/2-20)
14.	12-252060-000	Uniball Rod End
15.	11-121519-001	Hex Nut
16.	11-190512-001	Flat Washer
17.	12-252349-0	00 Follower Spacer
18.	11-420094-000	Sleeve Oilite Bearing
19.	12-252351-000	Roller
20.	11-190511-001	Flat Washer
21.	12-252346-000	Tube
22.	10-386092-000	Spacer
23.	10-002001-000	Hex Head Cap Screw (3/8-24 x 2-3/4")
24.	10-002006-000	Hex Head Cap Screw (1/2-20 x 3 1/2")
25.	10-229601-000	X-Washer Pin
26.	11-230005-001	"X" Washer (1/4)
27.	12-252173-000	"A-2" Shock Absorber
28.	12-250011-002	Spacer
29.	12-250189-000	Rubber Bushing
30.	12-252344-000	Cushion Bracket
31.	11-001344-001	Hex Head Cap Screw (3/8-16 x 1")
32.	11-195016-001	Lockwasher (3/8)
33.	11-190014-001	Flat Washer (3/8)
34.	10-229602-000	X-Washer Pin
35.	12-252073-000	Support Arm
36.	10-009001-001	Hex Socket Head Cap Screw (3/8-24 x 2-1/16")
37.	11-001508-001	Hex Head Cap Screw (1/2-13 x 1-1/2"), See Note
38.	11-180006-001	Clamping Nut & Spring (1/2-13")
39.	12-252006-000	"U" Bracket
40.	12-252005-002	R.H. Mounting Bracket
	12-252005-003	L.H. Mounting Bracket
41.	11-001346-001	Hex Head Cap Screw (3/8-16 x 1-1/4")
42.	11-121522-000	Nut
43.	11-170011-001	Hex Nut Nylock (3/8-16)
44.	11-005514-000	Hex Head Socket Cap Screw (1/2-13 x 2-1/2")
45.	11-190018-001	Flat Washer (1/2)
46.	11-001394-001	Hex Head Cap Screw (3/8-24 x 2-1/2")
47.	12-862015-000	Rod End Conversion Kit
48.	*12-862580-000	Cushion Arm Rebuilding Kit
49.	12-252348-000	Elevator Plate

\* Not Illustrated

NOTE 1: Plain washers are used, etc.

**Pit Cushion Support (Model A-2)**



**Pit Cushion Support (Model A-2)**

**Index**

<b>No.</b>	<b>Part No.</b>	<b>Description</b>
1.	12-862578-000	Pit Cushion Assembly
2.	N.A.	Bracket, for machines prior to S/N 7362
3.	N.A.	Rod
4.	12-250153-000	Rod End
5.	12-250152-000	Disc Rod End
6.	N.A.	Surlyn Curtain
7.	N.A.	Curtain Hanger, for machines prior to S/N 7362
8.	12-250076-002	Fiber Washer
9.	11-001184-001	Hex Head Cap Screw (1/4-20 x 1")
10.	11-001186-001	Hex Head Bolt (1/4-20 x 1-1/4")
11.	11-195014-001	Lockwasher (1/4)
12.	11-190010-001	Flat Washer (1/4)
13.	11-180002-001	Clamping Nut & Spring (1/4-20)
14.	12-862167-000	Rubber Pit Curtain
15.	N.A.	Binder Post and Screw
16.	11-125202-001	Hex Jam Nut (5/16-18)
17.	12-250168-000	U-Bolt
18.	11-190012-001	Flat Washer - SAE (5/16)
19.	11-195015-001	Lockwasher (5/16)
20.	11-125103-001	Hex Nut (5/16-24)
21.	12-250077-000	Trip Spring
22.	12-250081-000	Trip Rod Assembly
23.	12-250160-000	Rod End & Sleeve Assembly
24.	N.A.	Snap Ring
25.	11-125209-001	Hex Jam Nut (1/2-20)
26.	12-250089-000	Hex Head Socket Cap Screw
27.	11-125204-001	Hex Jam Nut (3/8-16)
28.	11-001544-001	Hex Head Socket Cap Screw (1/2-20 x 1")
29.	11-195018-001	Lockwasher (1/2)
30.	12-250069-000	Link
31.	12-250067-000	L.H. Link Assembly
	12-250068-000	R.H. Link Assembly
32.	12-250065-000	Pin
33.	12-250075-000	Sleve Oilite Bearing
34.	12-250189-000	Rubber Bushing
35.	11-230005-001	"X" Washer (1/4)
36.	12-250010-006	X-Washer Pin
37.	N.A.	Pin
38.	12-250011-002	Spacer
39.	N.A.	Link Assembly
40.	12-250173-000	"A" Shock Absorber
41.	12-250016-000	Link Plate
42.	11-005354-001	Hex Head Socket Cap Screw (3/8-16 x 2-1/2")
43.	11-170011-001	Hex Nut Nylock (3/8-16)
44.	11-195016-001	Lockwasher (3/8)
45.	12-250011-003	Spacer
46.	12-250073-000	L.H. Pit Cushion Arm Assembly
47.	12-250074-000	R.H. Pit Cushion Arm Assembly
48.	12-250257-085	Retainer (Package of 10)
49.	N.A.	Retainer, shock cord

N.A. = No Longer Available

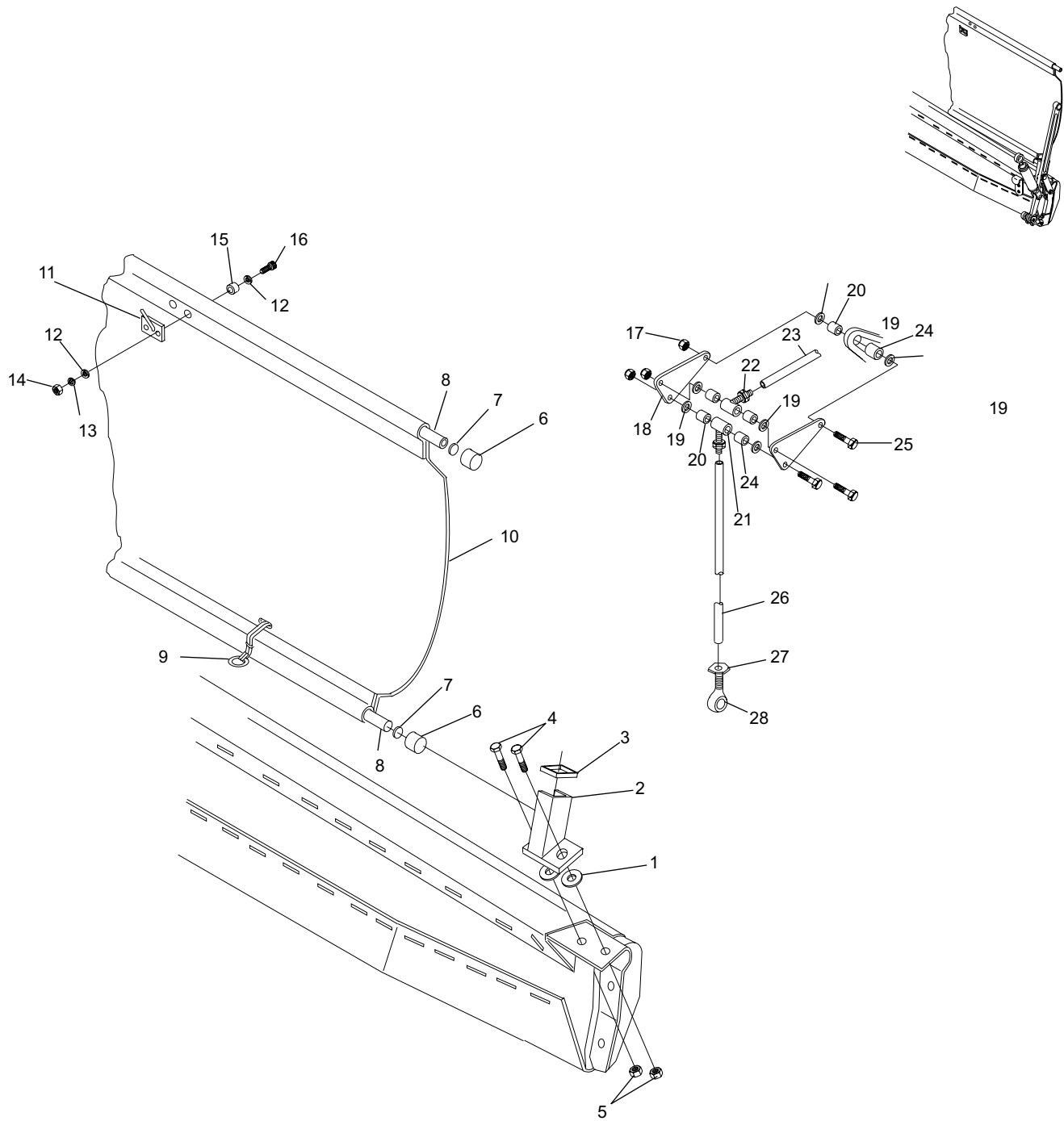
**Pit Cushion Support (Model A)**



**Index**

<b>No.</b>	<b>Part No.</b>	<b>Description</b>
1.	10-386096-000	Spacer (11/32 x 7/64)
2.	12-252269-000	L.H. Curtain Rod Bracket
	12-252268-000	R.H. Curtain Rod Bracket
3.	12-252061-000	Curtain Rod Retainer
4.	11-002094-001	Hex Head Socket Cap Screw (5/16-24 x 1")
5.	11-170010-001	Hex Nut Nylock (5/16-24)
6.	12-250153-000	Rod End
7.	12-250152-000	Disc Rod End
8.	N.A.	Curtain Rod
9.	N.A.	Surlyn Curtain Retainer
10.	12-862167-000	Rubber Pit Curtain
11.	12-250823-000	Hook Assembly
12.	11-190006-001	Flat Washer - SAE (#10)
13.	11-195010-001	Lockwasher (#10)
14.	11-125005-001	Hex Nut (#10-32)
15.	10-386115-000	Spacer (7/32 x 3/8)
16.	N.A.	Round Head Socket Cap Screw (10-32 x 1")
17.	11-170011-001	Hex Nut Nylock (3/8-16)
18.	12-252359-000	Link Plate
19.	12-250076-002	Fiber Washer
20.	12-250011-003	Spacer
21.	12-252365-000	Rod End
22.	11-125209-001	Hex Jam Nut (1/2-20)
23.	12-252364-003	Tube
24.	12-250248-000	Sleeve Oilite Bearing
25.	11-001354-001	Hex Head Cap Screw (3/8-16 x 2-1/2")
26.	12-252364-002	Tube
27.	11-125259-001	Hex Jam Nut (1/2-20)
28.	12-252060-000	Uniball Rod End

*N.A. = No Longer Available*



**Pit Cushion/Pit Curtain**

**Index**

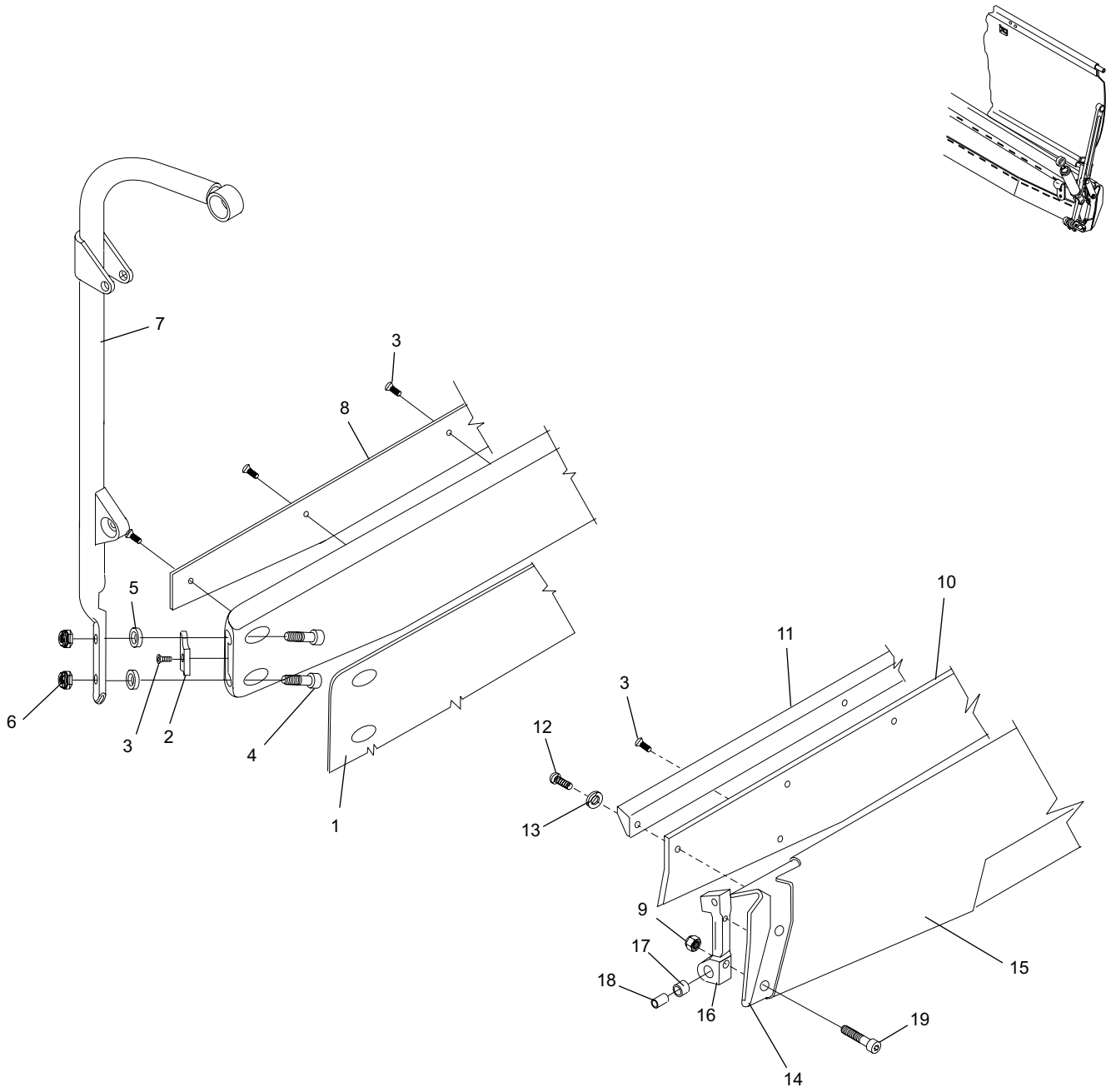
<b>No.</b>	<b>Part No.</b>	<b>Description</b>
1.	12-250286-000	"A" Stamp-On Facing
2.	N.A.	End Tacking Board
3.	11-007300-001	Flat Head Socket Cap Screw (5/16-24 x 5/8")
4.	11-005553-001	Hex Head Socket Cap Screw (1/2-20 x 2-1/4")
5.	12-250011-009	Spacer
	12-250011-005	Spacer
6.	11-170016-001	Hex Nut Nylock (1/2-20)
7.	12-250073-000	L.H. Pit Cushion Arm Assembly
	12-250074-000	R.H. Pit Cushion Arm Assembly
8.	N.A.	Tacking Board, for Model A
9.	11-170012-001	Hex Nut Nylock (3/8-24)
10.	12-252165-000	Tacking Board
11.	N.A.	Support Block
12.	11-006345-000	Button Head Socket Cap Screw (3/8-16 x 1")
13.	11-190012-001	Flat Washer - SAE (5/16)
14.	12-862578-000	Pit Cushion
15.	12-252308-000	"A-2" Pit Cushion Facing
	*12-252310-000	Strap-On Facing for A-2 & Jetblack
	*11-603114-000	Cable Ties
16.	12-862839-000	Cushion Mount & Bearing
17.	10-424001-000	Sleve Oilite Bearing
18.	12-100185-036	Spacer
19.	10-009001-001	Hex Socket Head Cap Screw (3/8-24 x 2-1/16")

*N.A. = No Longer Available*

*\* Not Illustrated*

**Pit Cushion Assembly**





## Pit Cushion Assembly